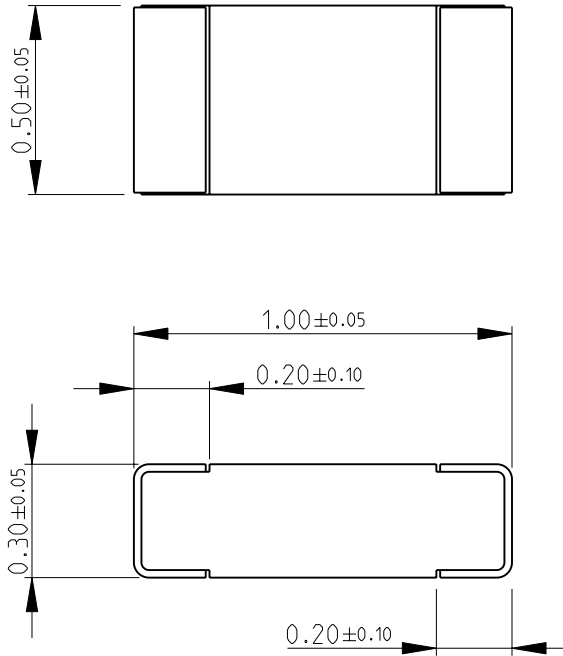
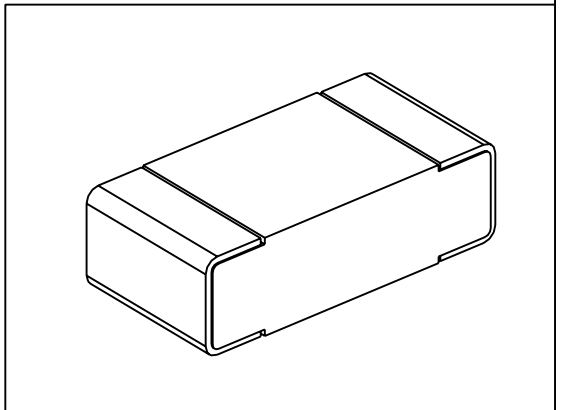


| | | | | | | | |
|-----|------|-----------|-----|-------------|-----------|-----|------|
| LOC | DIST | REVISIONS | | | | | |
| E | B | P | LTR | DESCRIPTION | DATE | DWN | APVD |
| | | | BA | NEW RELEASE | 27-Sep-08 | SM | St.P |

FOR FURTHER INFORMATION SEE DATA SHEET FOR
CPF SERIES-THIN FILM PRECISION CHIP RESISTORS



RoHS Compliant



2008

RELEASED FOR PUBLICATION

THIS DRAWING IS UNPUBLISHED.

BY TYCO ELECTRONICS CORPORATION. ALL RIGHTS RESERVED.



| | | | | | | |
|--|------------------|-----------|--|------------|-----------|---------------|
| DIMENSIONS: mm | DWN | 27-Sep-08 | MATERIAL | - | FINISH | - |
| | CHK | 27-Sep-08 | Tyco Electronics Corporation Dorcan, Swindon, SN3 5HH | | | |
| TOLERANCES UNLESS OTHERWISE SPECIFIED: | APVD | 27-Sep-08 | | | | |
| 0 PLC ± 0.2 | PRODUCT SPEC | - | NAME THIN FILM PRECISION CHIP RESISTORS SERIES CPF 0402 | | | |
| 1 PLC ± 0.1 | APPLICATION SPEC | - | | | | |
| 2 PLC \pm | WEIGHT | - | SIZE | A 4 | CAGE CODE | 00779 |
| 3 PLC \pm | | | DRAWING NO | C= 1879216 | | RESTRICTED TO |
| 4 PLC \pm | | | | | | - |
| ANGLES $\pm 5^\circ$ | | | | | | |
| | CUSTOMER DRAWING | | SCALE | 50:1 | SHEET | 1 OF 1 |
| | | | | | | REV BA |

Mouser Electronics

Authorized Distributor

Click to View Pricing, Inventory, Delivery & Lifecycle Information:

[TE Connectivity:](#)

[CPF0402B82K5E1](#)