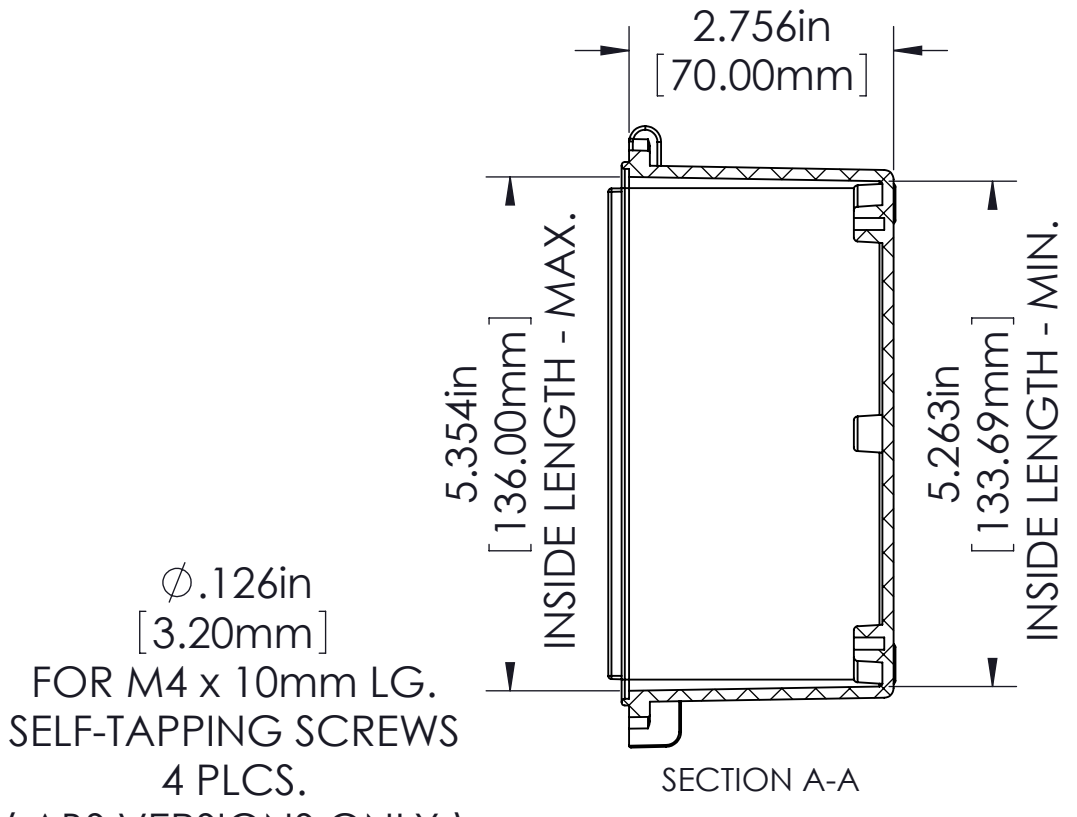
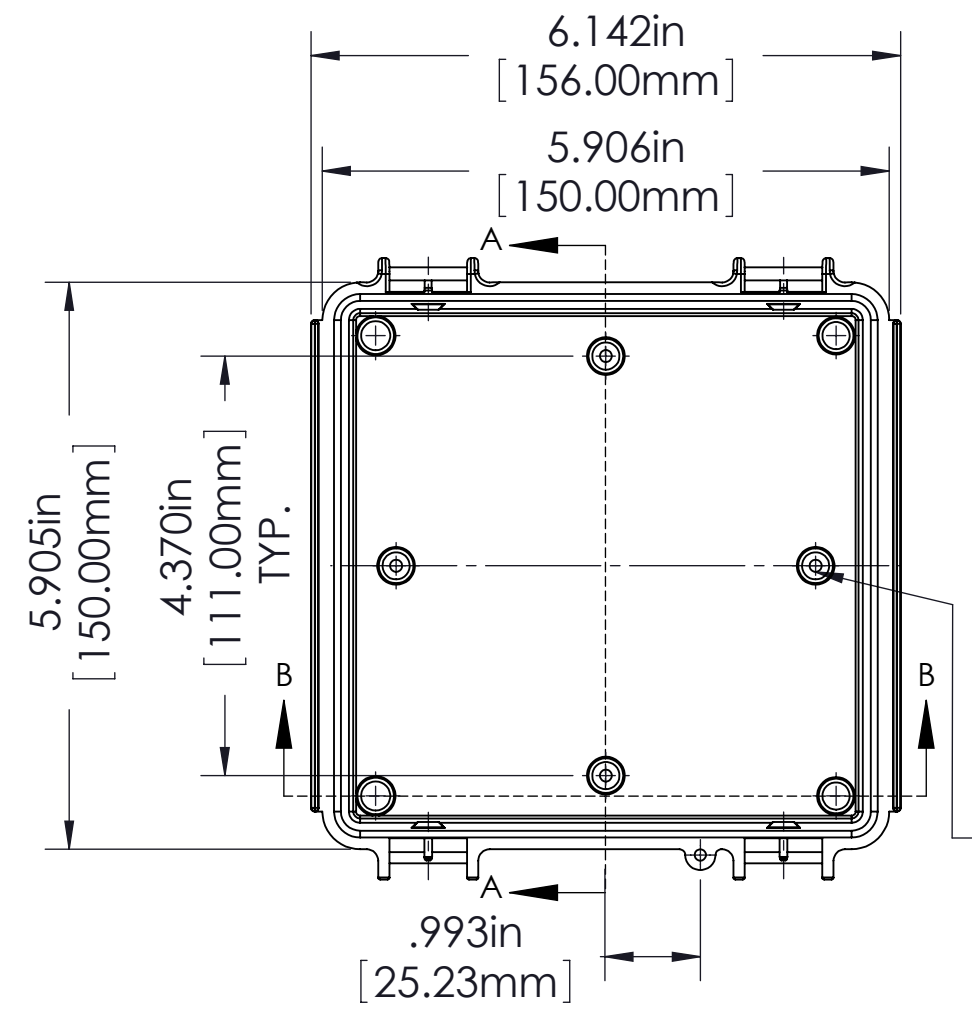


|           |                             |          |                                                           |               |          |
|-----------|-----------------------------|----------|-----------------------------------------------------------|---------------|----------|
| PART NAME | NBF SERIES PLASTIC NEMA BOX | PART No. | NBF-32010 & NBF-32110 & NBF-32210 & NBF-32310 & NBF-32410 | REVISION DATE | 9/1/2010 |
|-----------|-----------------------------|----------|-----------------------------------------------------------|---------------|----------|

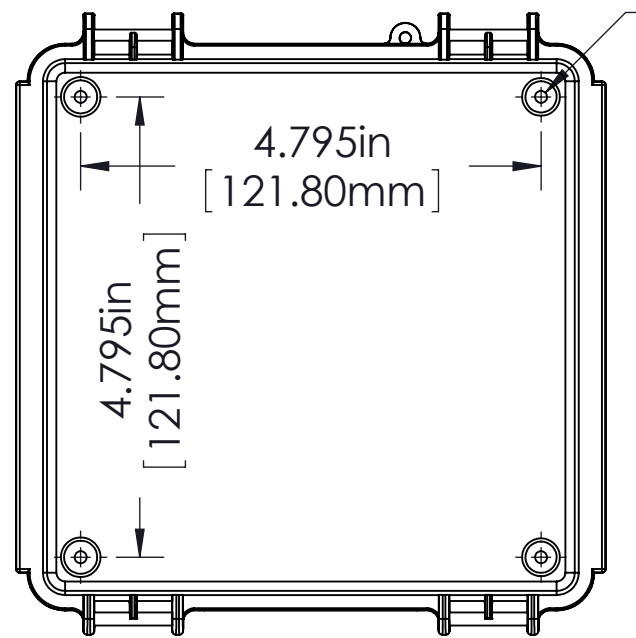
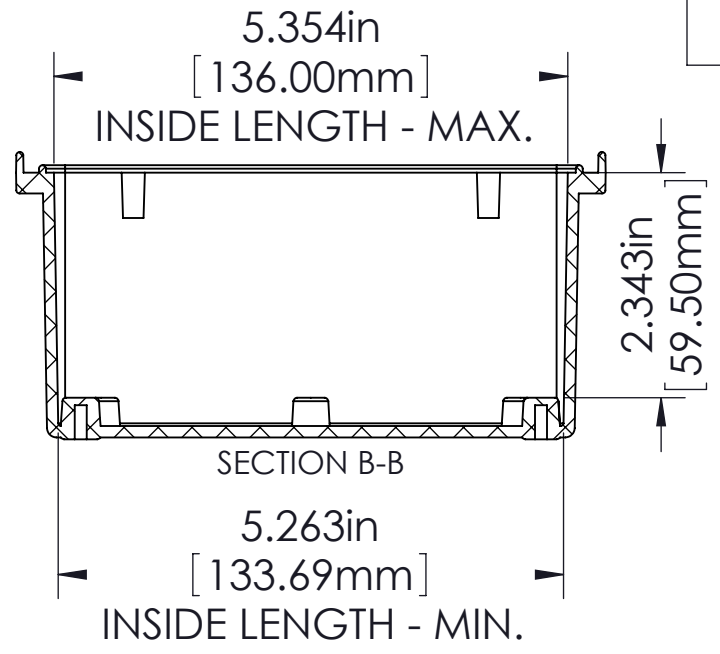
|                |                       |                                |
|----------------|-----------------------|--------------------------------|
| MATERIAL       | FLAMMABILITY RATING   | CONTINUOUS OPERATING TEMP.     |
| ABS            | UL94-HB               | -40°C ~ +60°C / -40°F ~ 140°F  |
| CLEAR PC       | UL94-V0 UV STABILIZED | -40°C ~ +130°C / -40°F ~ 266°F |
| ABS / PC BLEND | UL94-5VA              | -40°C ~ +85°C / -40°F ~ 185°F  |
| PBT / PC BLEND | UL94-5VA + UV (f1)    | -40°C ~ +75°C / -40°F ~ 167°F  |

FINISH:  
 BODY \_\_\_\_\_ LIGHT GRAY  
 COVER \_\_\_\_\_ LIGHT GRAY OR CLEAR  
 LATCHES & HINGES \_\_\_\_\_ PLASTIC  
 WALL MOUNTING BRACKETS \_\_\_\_\_ STAINLESS STEEL & HARDWARE

## BODY

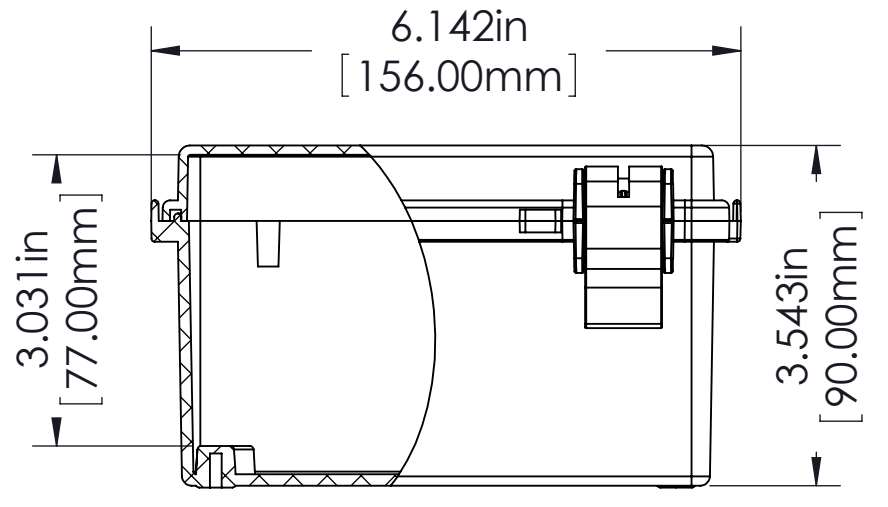
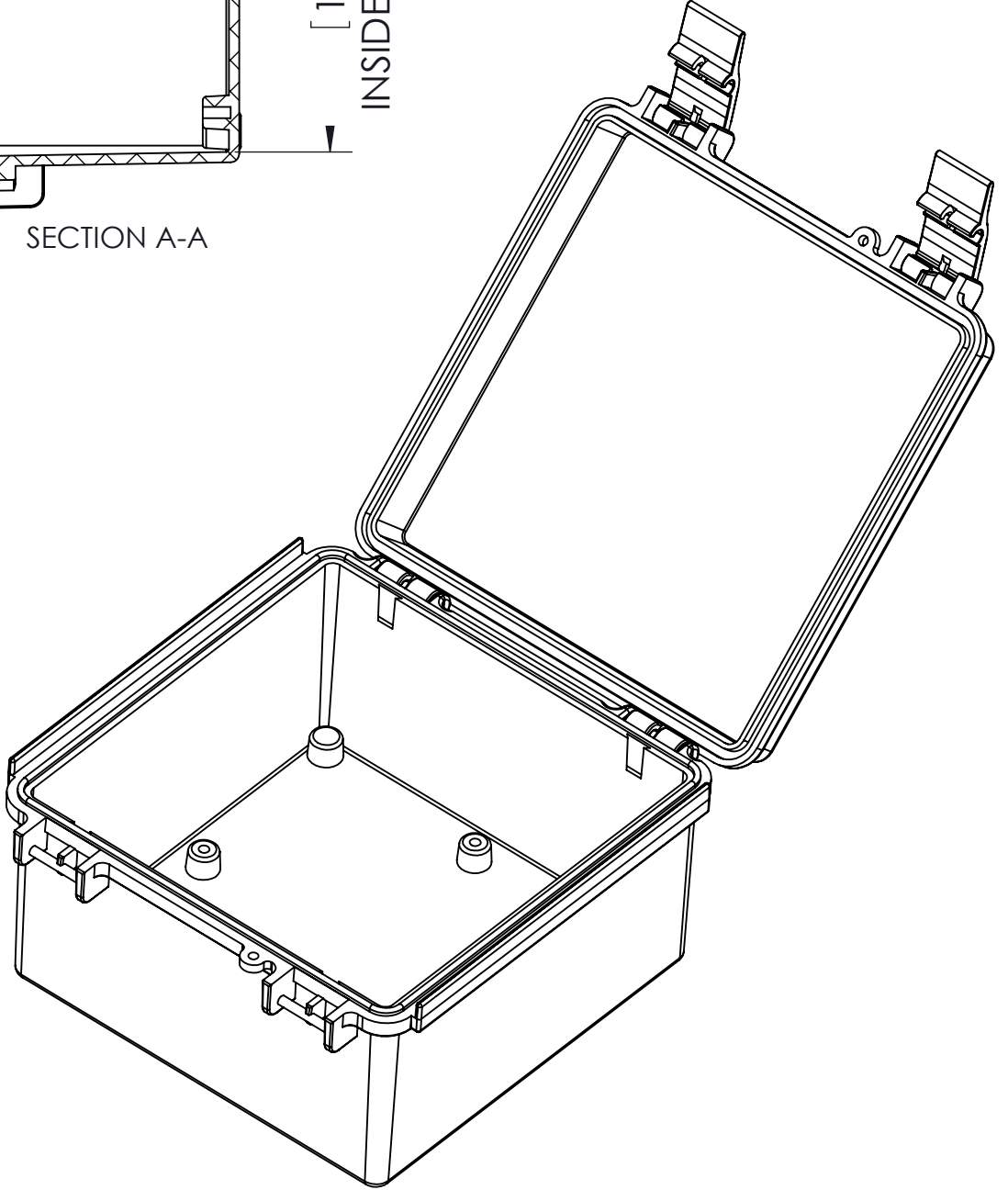


Ø.126in [3.20mm]  
 FOR M4 x 10mm LG. SELF-TAPPING SCREWS  
 4 PLCS.  
 ( ABS VERSIONS ONLY )  
 M4 THREADED INSERTS  
 ON ALL OTHER VERSIONS  
 USE M4 x 8mm LG. MACHINE SCREWS.  
 2 PLCS.

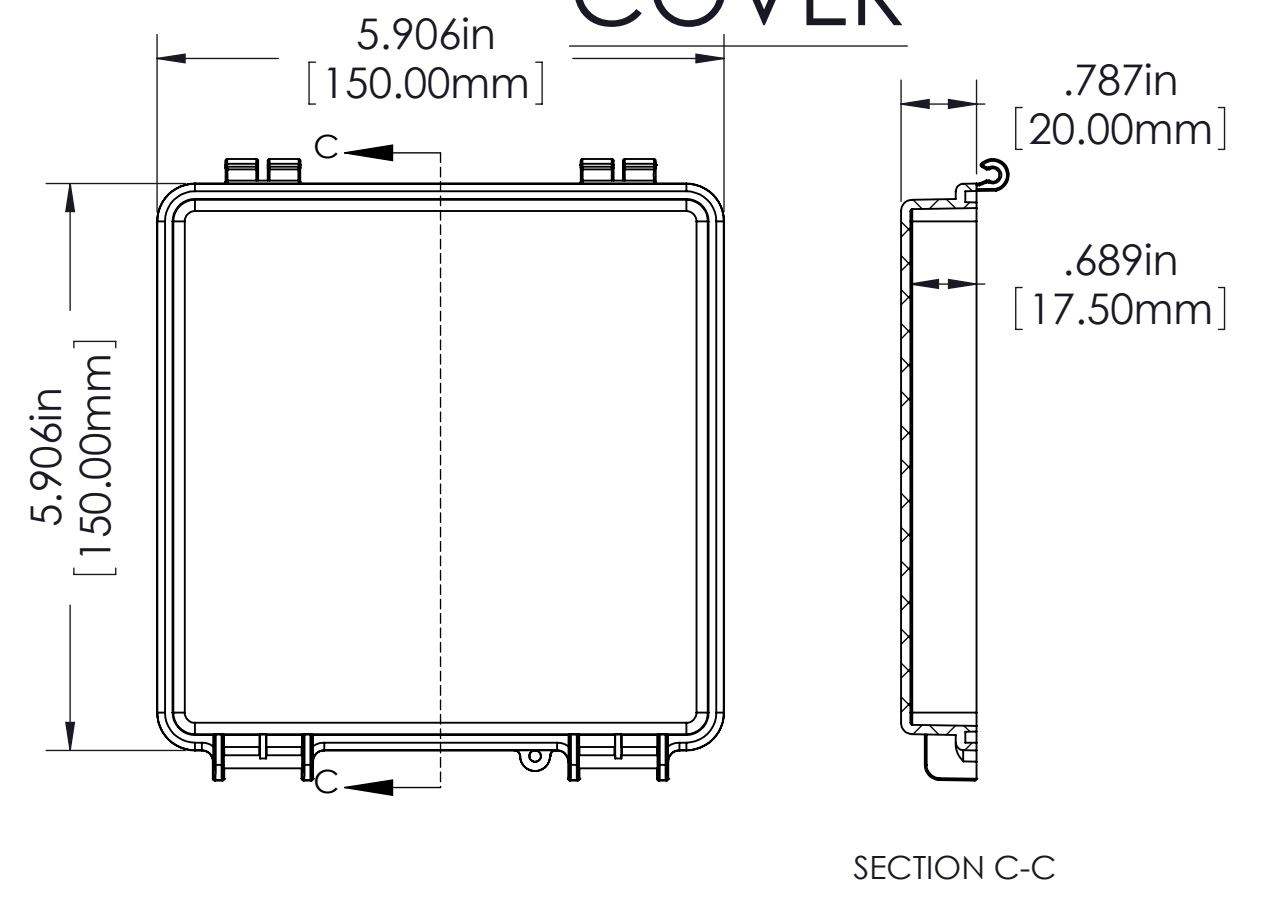


Ø.126in [3.20mm]  
 FOR M4 x 10mm LG. SELF-TAPPING SCREWS  
 4 PLCS.

## ASSEMBLY



## COVER



### NOTES:

- UNIT COMES COMPLETE WITH: (4) WALL MOUNTING BRACKETS & (4) M4 x 10mm LG. SELF-TAPPING SCREWS. (NOT SHOWN)
- BOXES DESIGNED TO MEET FOLLOWING STANDARDS: NEMA 1,2,4,4X, AND IEC529-IP65 REQUIREMENTS.

### TOLERANCES:

ALL DIMENSIONS HAVE ±0.039in [±1mm] TOLERANCE UNLESS OTHERWISE SPECIFIED.

| PART NO.  | MATERIAL |          | USE     |
|-----------|----------|----------|---------|
|           | BODY     | COVER    |         |
| NBF-32010 | ABS      | ABS      | INDOOR  |
| NBF-32110 | ABS / PC | ABS / PC | INDOOR  |
| NBF-32210 | ABS / PC | CLEAR PC | INDOOR  |
| NBF-32310 | PBT / PC | PBT / PC | OUTDOOR |
| NBF-32410 | PBT / PC | CLEAR PC | OUTDOOR |

# Mouser Electronics

Authorized Distributor

Click to View Pricing, Inventory, Delivery & Lifecycle Information:

[Bud Industries:](#)

[NBF32310](#) [NBF-32010](#) [NBF-32310](#)