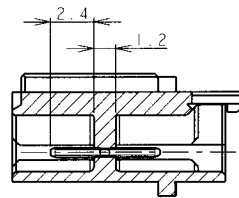
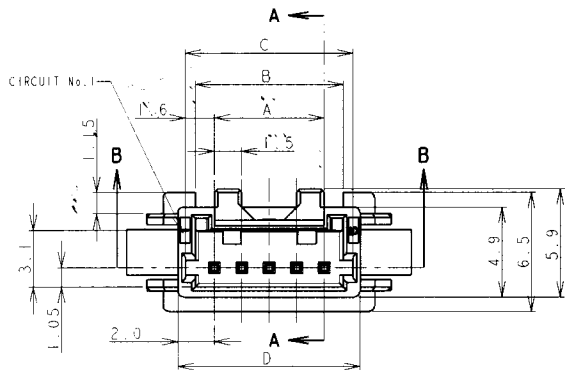
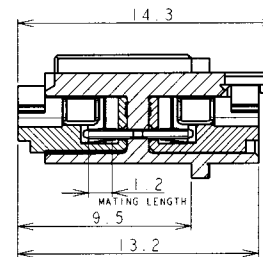


THIS DRAWING IS UNPUBLISHED. RELEASED FOR PUBLICATION 20
 © COPYRIGHT ALL RIGHTS RESERVED.

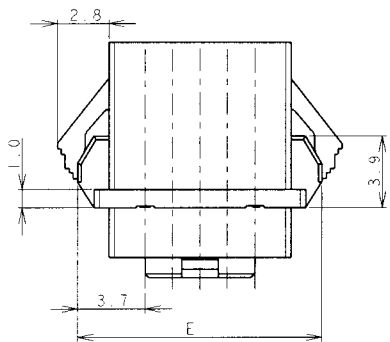
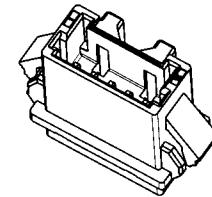
| LOC | DIST | REVISIONS | | | |
|-----|------|------------------|---------|-----|------|
| P | LTR | DESCRIPTION | DATE | DWN | APVD |
| FB | 00 | P1 ECR-14-017977 | 27MAR17 | T.Q | W.H |



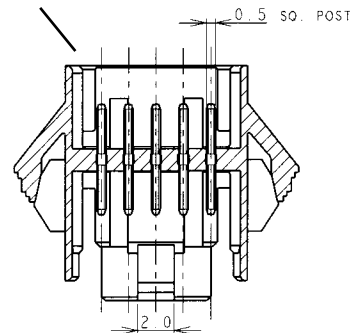
SECT A-A



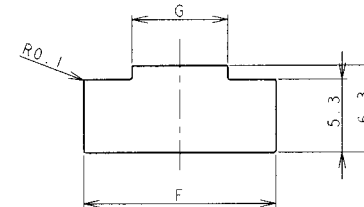
MATING SECTION



RECOMMENDED FIRST MATING SIDE

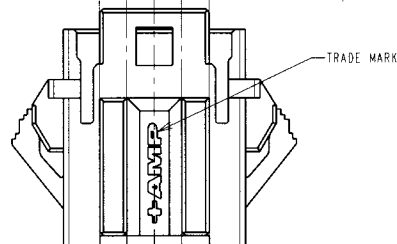
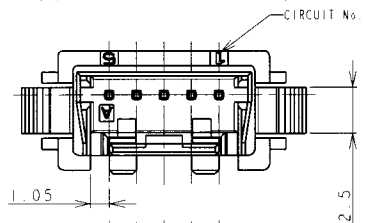


SECT B-B



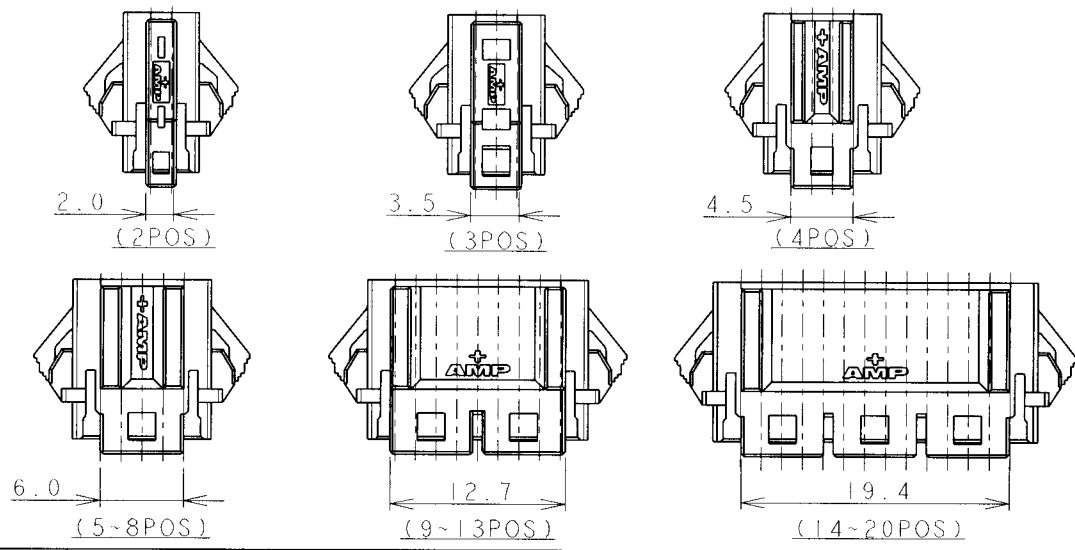
PANEL CUTOUT DIMENSION (TOLERANCE: ± 0.1 mm)
 (RECOMMENDED PANEL THICKNESS: 0.8mm-1.6mm)

- NOTES
- MATERIAL HOUSING: 66NYLON(94V-0), COLOR: WHITE. BLUE POST: TIN BRASS WIRE
 - THE PANEL SHOULD BE PUNCHED SO THAT THE HOUSING ENTERS THE PANEL IN THE SAME DIRECTION AS PUNCH.



| | | | | | | | |
|-----------------|--|---|--|----------------------------|--|----------------------|--|
| DIMENSIONS (mm) | | TOLERANCES UNLESS OTHERWISE SPECIFIED: | | DWN: J. JIANG 04FEB03 | | | |
| | | ID ± 0.2 30 > ID ± 0.25 100 > 30 ± 0.3 ANGLE $\pm 3^\circ$ | | CHK: S. YAO 04FEB03 | | | |
| MATERIAL | | FINISH | | APVD: T. SASAKI 04FEB03 | | RESTRICTED TO | |
| SEE NOTE 1 | | SEE NOTE 1 | | PRODUCT SPEC: 108-60018 | | SIZE: A3 | |
| | | | | APPLICATION SPEC: 114-5223 | | CAGE CODE: 00779 | |
| | | | | WEIGHT | | DRAWING NO: C-292215 | |
| | | | | CUSTOMER DRAWING | | SCALE: NON | |
| | | | | | | SHEET 1 OF 2 | |
| | | | | | | REV P1 | |

| | | | | | | | | |
|-----|------|-----------|-----|-------------|--|------|-----|------|
| LOC | DIST | REVISIONS | | | | DATE | DWN | APVD |
| FB | 00 | P | LTR | DESCRIPTION | | | | |
| | | - | | SEE SHEET 1 | | - | - | - |



| | | | | | | | | | | | |
|------------|------------|------|------|------|------|------|------|-----|------------|------------|--|
| 1.41 | 19.8 | 36.5 | 35.9 | 32.5 | 31.7 | 30.6 | 28.5 | 20 | 7-292215-0 | 2-292215-0 | |
| 1.35 | 19.8 | 35.0 | 34.4 | 31.0 | 30.2 | 29.1 | 27.0 | 19 | 6-292215-9 | 1-292215-9 | |
| 1.30 | 19.8 | 33.5 | 32.9 | 29.5 | 28.7 | 27.6 | 25.5 | 18 | 6-292215-8 | 1-292215-8 | |
| 1.24 | 19.8 | 32.0 | 31.4 | 28.0 | 27.2 | 26.1 | 24.0 | 17 | 6-292215-7 | 1-292215-7 | |
| 1.19 | 19.8 | 30.5 | 29.9 | 26.5 | 25.7 | 24.6 | 22.5 | 16 | 6-292215-6 | 1-292215-6 | |
| 1.13 | 19.8 | 29.0 | 28.4 | 25.0 | 24.2 | 23.1 | 21.0 | 15 | 6-292215-5 | 1-292215-5 | |
| 1.08 | 19.8 | 27.5 | 26.9 | 23.5 | 22.7 | 21.6 | 19.5 | 14 | 6-292215-4 | 1-292215-4 | |
| 0.97 | 13.1 | 26.0 | 25.4 | 22.0 | 21.2 | 20.1 | 18.0 | 13 | 6-292215-3 | 1-292215-3 | |
| 0.92 | 13.1 | 24.5 | 23.9 | 20.5 | 19.7 | 18.6 | 16.5 | 12 | 6-292215-2 | 1-292215-2 | |
| 0.86 | 13.1 | 23.0 | 22.4 | 19.0 | 18.2 | 17.1 | 15.0 | 11 | 6-292215-1 | 1-292215-1 | |
| 0.81 | 13.1 | 21.5 | 20.9 | 17.5 | 16.7 | 15.6 | 13.5 | 10 | 6-292215-0 | 1-292215-0 | |
| 0.75 | 13.1 | 20.0 | 19.4 | 16.0 | 15.2 | 14.1 | 12.0 | 9 | 5-292215-9 | 0-292215-9 | |
| 0.64 | 6.4 | 18.5 | 17.9 | 14.5 | 13.7 | 12.6 | 10.5 | 8 | 5-292215-8 | 0-292215-8 | |
| 0.59 | 6.4 | 17.0 | 16.4 | 13.0 | 12.2 | 11.1 | 9.0 | 7 | 5-292215-7 | 0-292215-7 | |
| 0.53 | 6.4 | 15.5 | 14.9 | 11.5 | 10.7 | 9.6 | 7.5 | 6 | 5-292215-6 | 0-292215-6 | |
| 0.48 | 6.4 | 14.0 | 13.4 | 10.0 | 9.2 | 8.1 | 6.0 | 5 | 5-292215-5 | 0-292215-5 | |
| 0.44 | 4.9 | 12.5 | 11.9 | 8.5 | 7.7 | 6.6 | 4.5 | 4 | 5-292215-4 | 0-292215-4 | |
| 0.37 | 4.1 | 11.0 | 10.4 | 7.0 | 6.2 | 5.1 | 3.0 | 3 | 5-292215-3 | 0-292215-3 | |
| 0.30 | 2.6 | 9.5 | 8.9 | 5.5 | 4.7 | 3.6 | 1.5 | 2 | 5-292215-2 | 0-292215-2 | |
| WEIGHT (g) | G | F | E | D | C | B | A | | BLUE | WHITE | |
| | DIMENSIONS | | | | | | | Pos | P/N | | |

20
 RELEASED FOR PUBLICATION
 ALL RIGHTS RESERVED
 THIS DRAWING IS UNPUBLISHED
 COPYRIGHT ©

| | | | |
|--|-----------|-------------------------|------------------------|
| DIMENSIONS: mm | DWN - | MATERIAL SEE SHEET 1 | FINISH SEE SHEET 1 |
| TOLERANCES UNLESS OTHERWISE SPECIFIED: 10 > : ±0.2 30 > 10 : ±0.25 100 > 30 : ±0.3 ANGLE : ±3° | CHK - | TE Connectivity | |
| PRODUCT SPEC | APVD - | | |
| APPLICATION SPEC | APVD - | SIZE A4 | CAGE CODE 00779 |
| WEIGHT | APVD - | DRAWING NO C-292215 | RESTRICTED TO - |
| CUSTOMER DRAWING | APVD - | SCALE NON | SHEET 2 OF 2 REV P1 |

Mouser Electronics

Authorized Distributor

Click to View Pricing, Inventory, Delivery & Lifecycle Information:

[TE Connectivity:](#)

[5-292215-7](#)