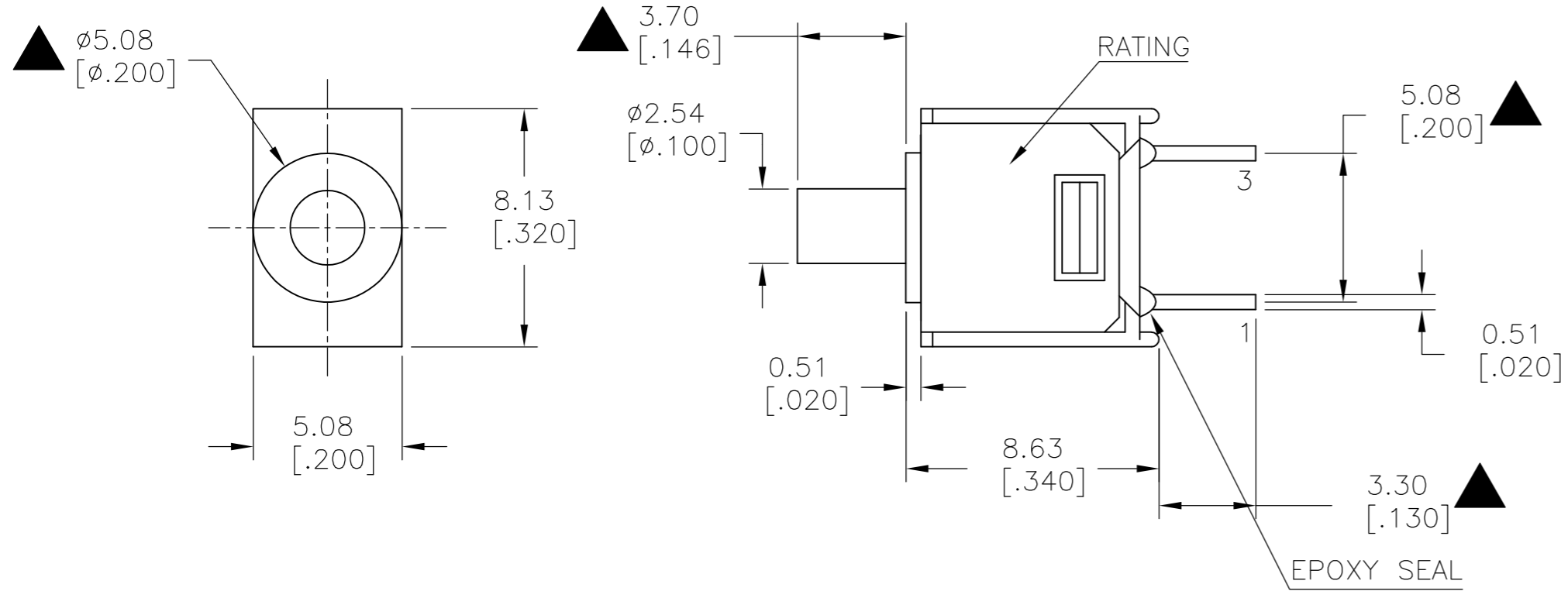


THIS DRAWING IS UNPUBLISHED. RELEASED FOR PUBLICATION
 © COPYRIGHT - By - ALL RIGHTS RESERVED.

| LOC | | DIST | | REVISIONS | | | |
|-----|-----|---------------------------|--|-----------|-----|------|--|
| P | LTR | DESCRIPTION | | DATE | DWN | APVD | |
| | A1 | REVISED PER ECO-15-014342 | | 07OCT2015 | NK | RH | |

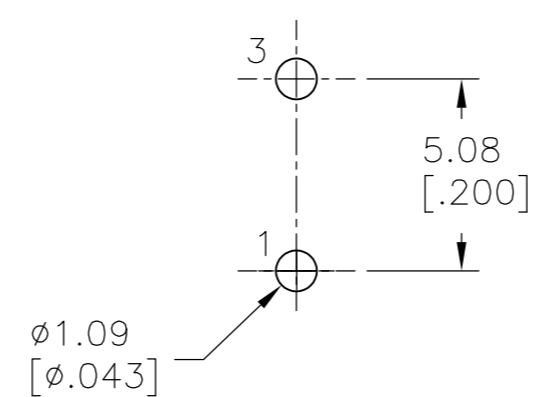


| MODEL NO. | POS.1 | POS.2 |
|-------------|-------|-------|
| | | |
| PMS9 | OFF | MOM |
| TERM. COMM. | 1-3 | |
| SCHEMATIC | OPEN | |

SWITCH FUNCTION

P.C. MOUNTING

LAYOUT FOR PN 2267072-1



SPECIFICATIONS

- MECHANICAL LIFE: 50,000 MAKE-AND-BREAK CYCLES.
- CONTACT RESISTANCE: 20 m Ω MAX. INITIAL @ 2-4VDC
100mA FOR BOTH SILVER AND GOLD PLATED CONTACTS.
- CONTACT RATING: SILVER PLATED: 3A @ 120 VAC OR 28 VDC, 1A @ 250 VAC
GOLD PLATED: 0.4VA MAX @ 20 V MAX (AC OR DC)
- INSULATION RESISTANCE: 1,000 M Ω MIN.
- DIELECTRIC STRENGTH: 1,000 Vrms MIN.@SEA LEVEL.
- OPERATING TEMPERATURE: -30°C TO 85°C.

| | | | | | | | |
|------------------|----------|-----------------|-------------|-------|--------|----------------|-----------|
| SILVER | ON-MOM | PC THROUGH HOLE | VERTICAL | 1 | 1 | PMS9P1B10M2QE | 2267072-4 |
| GOLD | OFF-MOM | PC THROUGH HOLE | RIGHT ANGLE | 2 | 2 | PMD9P1B10M6RE | 2267072-3 |
| GOLD | OFF-MOM | PC THROUGH HOLE | RIGHT ANGLE | 1 | 1 | PMS9P1B10M6RE | 2267072-2 |
| GOLD | OFF-MOM | PC THROUGH HOLE | VERTICAL | 1 | 1 | PMS9P1B10M2RE | 2267072-1 |
| CONTACT MATERIAL | FUNCTION | TERMINATION | MOUNT ANGLE | POLES | THROWS | DESCRIPTIVE PN | TE PN |

THIS DRAWING IS A CONTROLLED DOCUMENT.

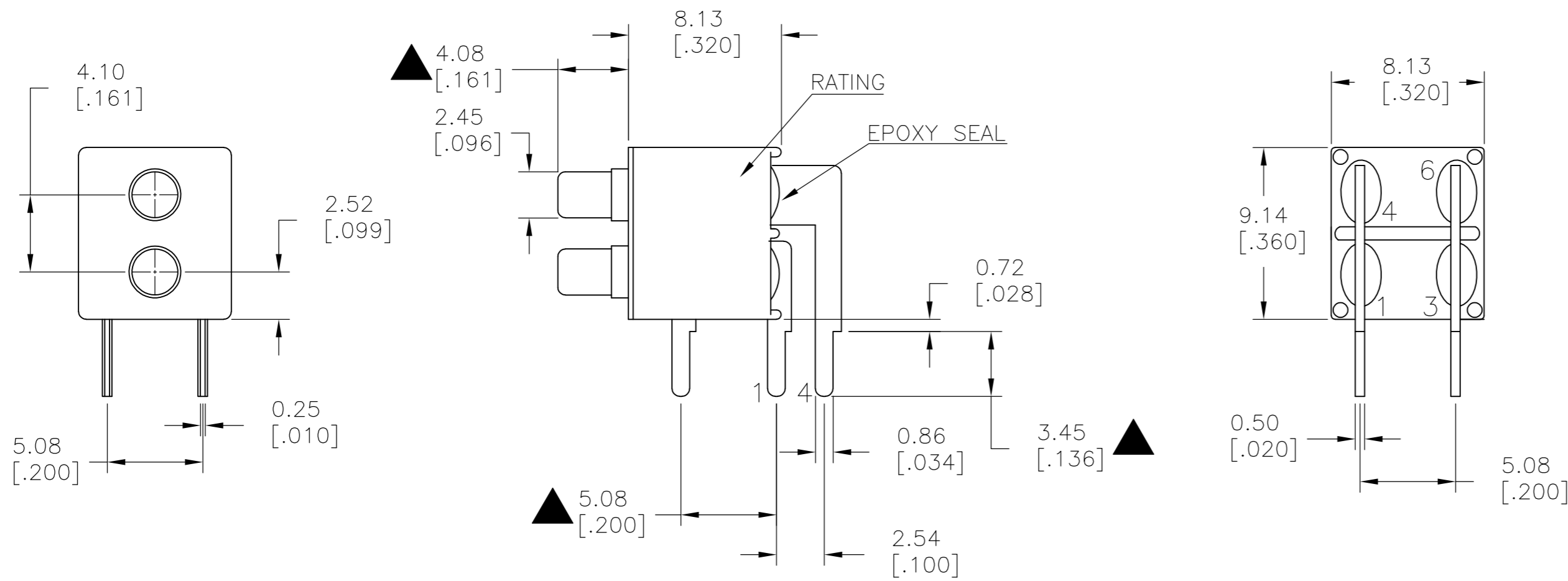
| | | |
|------------------|-----------|---------------|
| DWN | 09JUL2014 | NAGALAKSHMI K |
| CHK | 09JUL2014 | HILL, RYAN |
| APVD | 09JUL2014 | HILL, RYAN |
| PRODUCT SPEC | - | |
| APPLICATION SPEC | - | |
| WEIGHT | - | |
| CUSTOMER DRAWING | - | |

TE Connectivity
 SUBMINIATURE PUSH BUTTON SWITCH

| | | | |
|-------|-----------|------------|---------------|
| SIZE | CAGE CODE | DRAWING NO | RESTRICTED TO |
| A2 | 00779 | C=2267072 | - |
| SCALE | SHEET | REV | |
| 3:1 | 1 of 3 | A1 | |

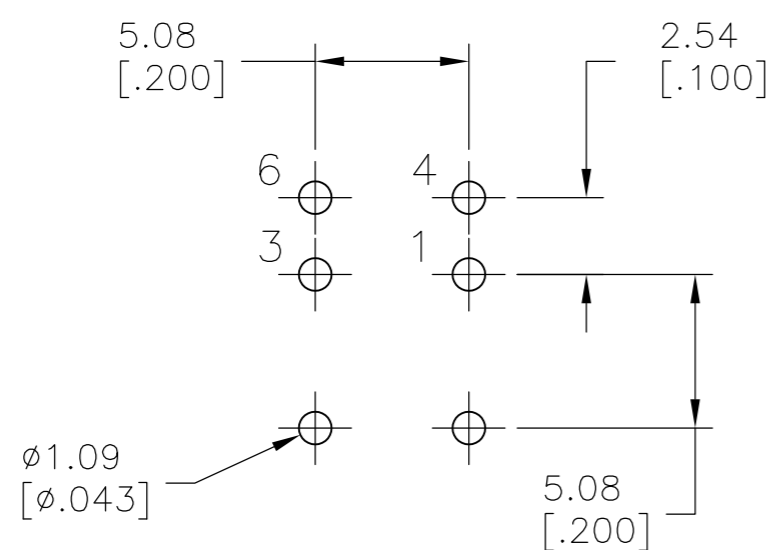
THIS DRAWING IS UNPUBLISHED. RELEASED FOR PUBLICATION
 © COPYRIGHT - By - ALL RIGHTS RESERVED.

| LOC | | DIST | | REVISIONS | | | |
|-----|-----|-------------|------|-----------|------|--|--|
| P | LTR | DESCRIPTION | DATE | DWN | APVD | | |
| - | - | SEE SHEET 1 | - | - | - | | |



| MODEL NO. | POS.1 | POS.2 |
|-------------|---------|-------|
| | | |
| PMS9 | OFF | MOM |
| TERM. COMM. | 1-3,4-6 | |
| SCHEMATIC | OPEN | |
| | | |

SWITCH FUNCTION



P.C. MOUNTING

LAYOUT FOR PN 2267072-3

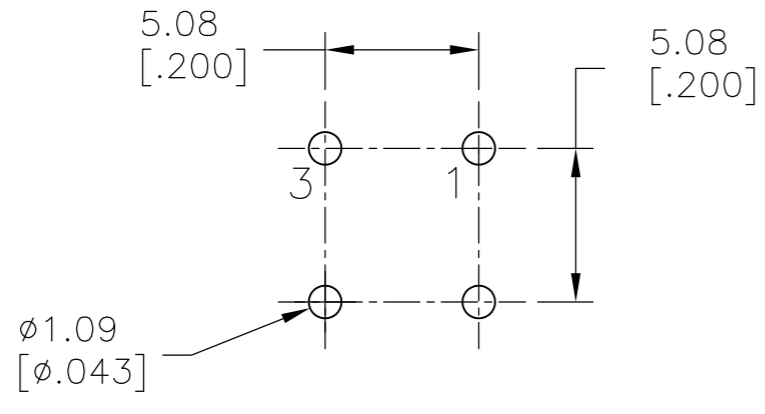
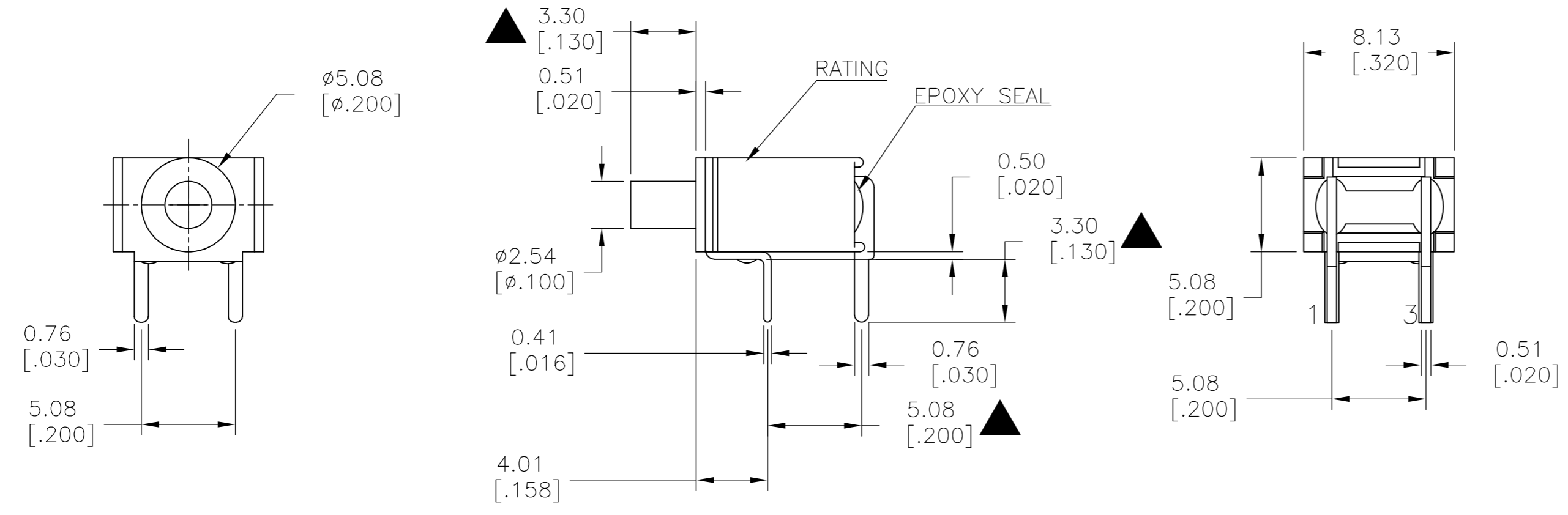
| | | | | |
|--|--|-----------------------------------|---|-------------------------|
| THIS DRAWING IS A CONTROLLED DOCUMENT. | | DWN NAGALAKSHMI K 09JUL2014 | | |
| DIMENSIONS: mm [INCHES] | | CHK HILL, RYAN 09JUL2014 | | |
| TOLERANCES UNLESS OTHERWISE SPECIFIED: | | APVD HILL, RYAN 09JUL2014 | NAME SUBMINIATURE PUSH BUTTON SWITCH | |
| 0 PLC ± - | | PRODUCT SPEC | SIZE A2 | |
| 1 PLC ± 0.38 [.015] | | APPLICATION SPEC | CAGE CODE 00779 | DRAWING NO C=2267072 |
| 2 PLC ± 0.25 [.010] | | WEIGHT | RESTRICTED TO | |
| 3 PLC ± - | | MATERIAL | SCALE 3:1 | |
| 4 PLC ± - | | FINISH | SHEET 2 OF 3 | |
| ANGLES ± 5° | | CUSTOMER DRAWING | REV A1 | |

THIS DRAWING IS UNPUBLISHED. RELEASED FOR PUBLICATION
 © COPYRIGHT - By - ALL RIGHTS RESERVED.

| LOC | | DIST | | REVISIONS | | | |
|-----|-----|-------------|------|-----------|------|--|--|
| P | LTR | DESCRIPTION | DATE | DWN | APVD | | |
| - | - | SEE SHEET 1 | - | - | - | | |

| MODEL NO. | POS.1 | POS.2 |
|-------------|-------|-------|
| | | |
| PMD9 | OFF | MOM |
| TERM. COMM. | OPEN | |
| SCHEMATIC | | |

SWITCH FUNCTION



P.C. MOUNTING

LAYOUT FOR PN 2267072-2

| | | | | |
|--|--|-----------------------------------|---|-------------------------|
| THIS DRAWING IS A CONTROLLED DOCUMENT. | | DWN NAGALAKSHMI K 09JUL2014 | | |
| DIMENSIONS: mm [INCHES] | | CHK HILL, RYAN 09JUL2014 | | |
| TOLERANCES UNLESS OTHERWISE SPECIFIED: | | APVD HILL, RYAN 09JUL2014 | NAME SUBMINIATURE PUSH BUTTON SWITCH | |
| 0 PLC ± - | | PRODUCT SPEC | SIZE A2 | |
| 1 PLC ± 0.38[.015] | | APPLICATION SPEC | CAGE CODE 00779 | DRAWING NO C=2267072 |
| 2 PLC ± 0.25[.010] | | WEIGHT | RESTRICTED TO | |
| 3 PLC ± - | | CUSTOMER DRAWING | - | |
| 4 PLC ± - | | SCALE 3:1 | SHEET 3 OF 3 | |
| ANGLES ± 5° | | REV A1 | | |
| FINISH | | | | |

Mouser Electronics

Authorized Distributor

Click to View Pricing, Inventory, Delivery & Lifecycle Information:

[TE Connectivity:](#)

[PMS9P1B10M2RE](#)