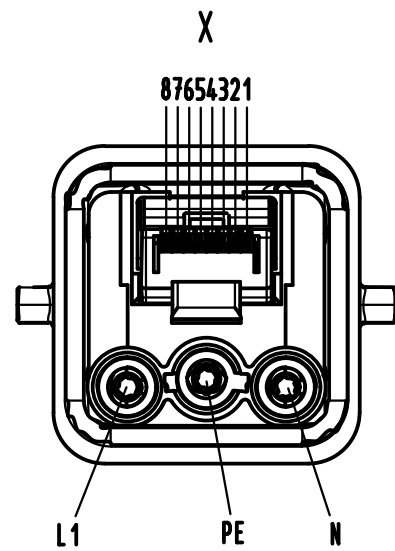
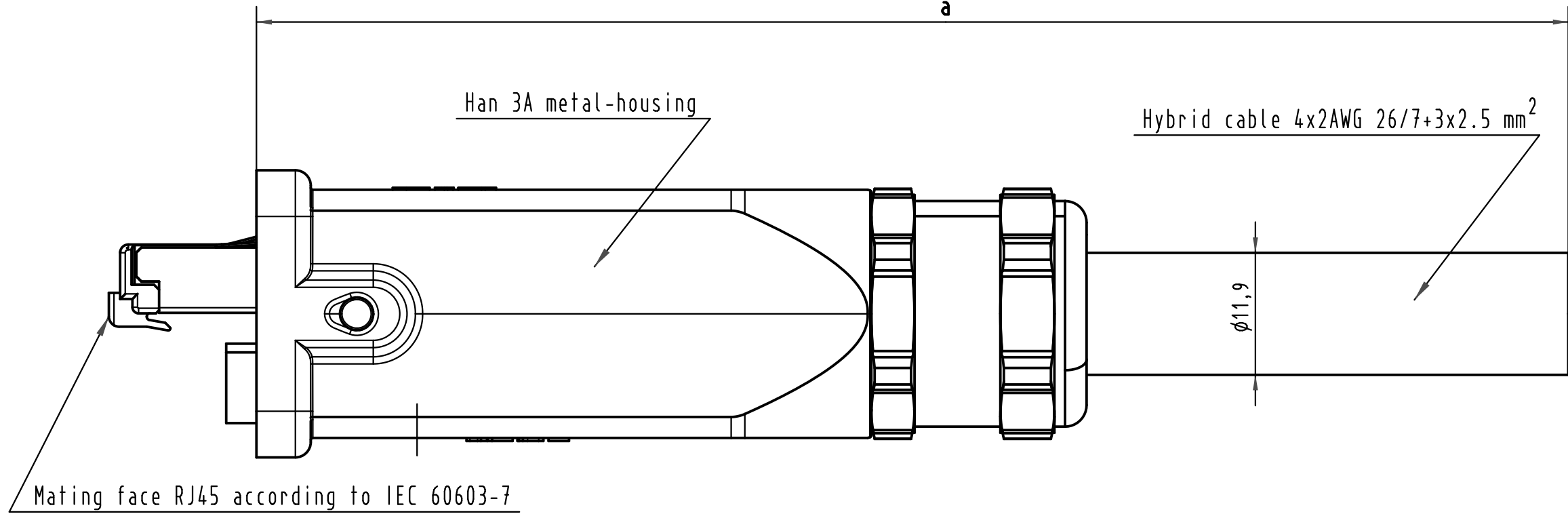


Alle Rechte vorbehalten/ All rights reserved



Loading-Plan (Data)

Shield
1 White/green
2 Green
3 White/orange
4 Blue
5 White/blue
6 Orange
7 White/brown
8 Brown

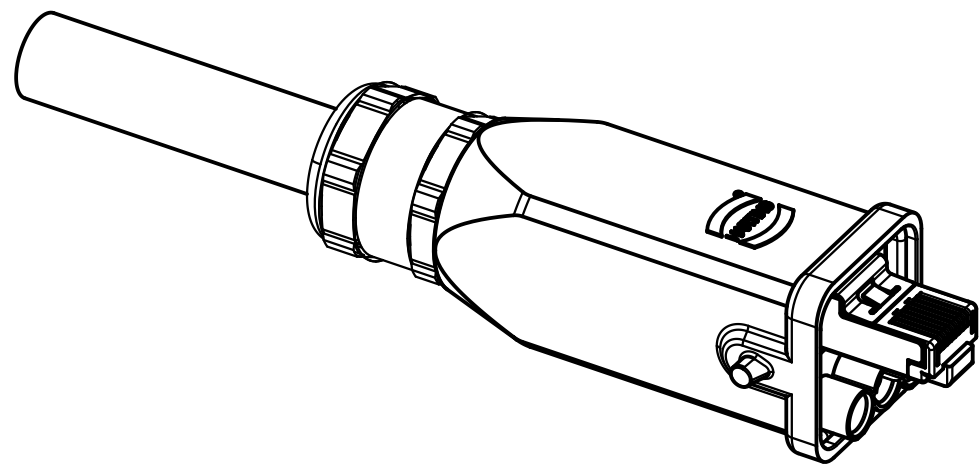
Loading-Plan (Power)

L1	black
N	blue
PE	green/yellow

-Protection level: IP67
 -Temperature range: -20°C ...+70°C

-Data transmission properties in accordance with ISO/IEC 11801:2002?

4	Hybrid cable 4x2AWG26/7+3x2.5 mm ² AC	33 57 111 020 0002	20 m
3	Hybrid cable 4x2AWG26/7+3x2.5 mm ² AC	33 57 111 010 0002	10 m
2	Hybrid cable 4x2AWG26/7+3x2.5 mm ² AC	33 57 111 005 0002	5 m
1	Hybrid cable 4x2AWG26/7+3x2.5 mm ² AC	33 57 111 001 0002	1 m
Cont No.	Type of cable	Part-No.	Dim. a



All Dimensions in mm Original Size DIN A 3			Techn. Character.			Nicht tolerierte Maß/Free size tolerances		
35035	10.11.08	MS						
34567								
Mod.	Dat.	Name	HARTING Electronics GmbH & Co. KG D-32339 ESPELKAMP					Hybrid cable assembly, 4x2AWG26/7+3x2.5 mm ² HAN3A, AC
						TB 33 57 111 xxx 0002		Blatt/ page Sub.