

Features

- SMD gull-wing (two sizes)
- High frequency
- Low Z tolerance $\pm 10\%$

Applications

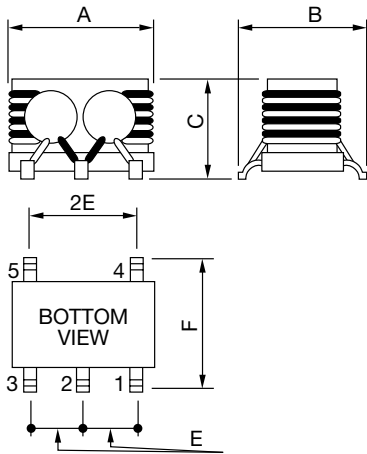
- Single antenna systems
- Master antenna systems
- Wideband communication systems
- SAT-systems
- Digital satellite broadcasting
- Used in antenna amplifiers

BRN Series - Chip Balun Transformers

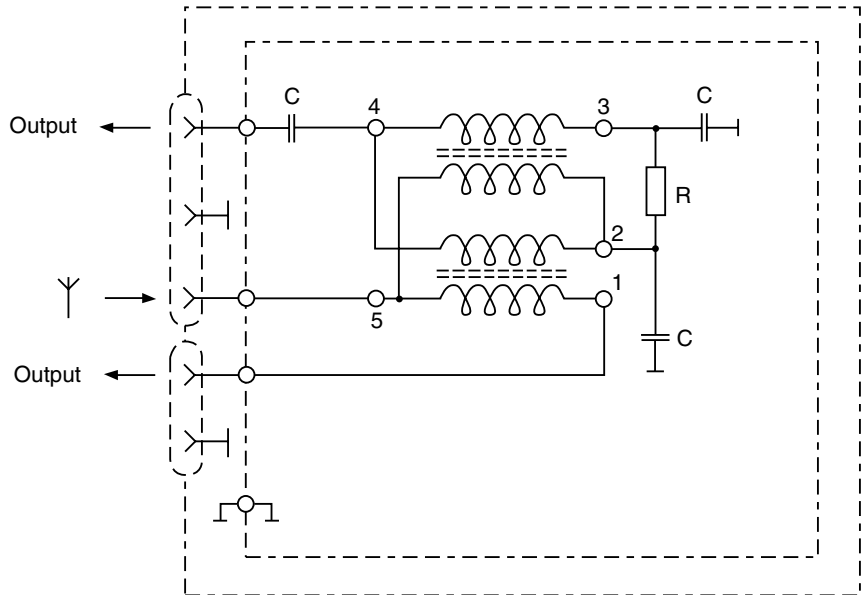
Dimensions

	A	B	C	E	F
BRN-SBC-108	6.0 ± 0.3 (.236 \pm .012)	6.5 ± 0.5 (.256 \pm .020)	4.2 ± 0.5 (.165 \pm .020)	2.0 ± 0.2 (.079 \pm .008)	5.8 ± 0.3 (.228 \pm .012)

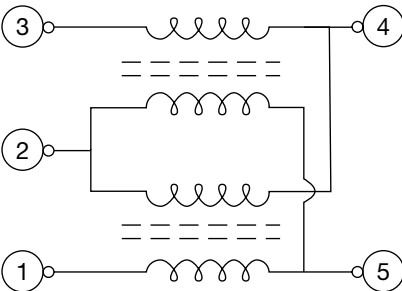
Configuration



DIMENSIONS ARE: $\frac{\text{METRIC}}{\text{(INCHES)}}$



Schematic



Direct distribution of high frequency energy by directional couplers

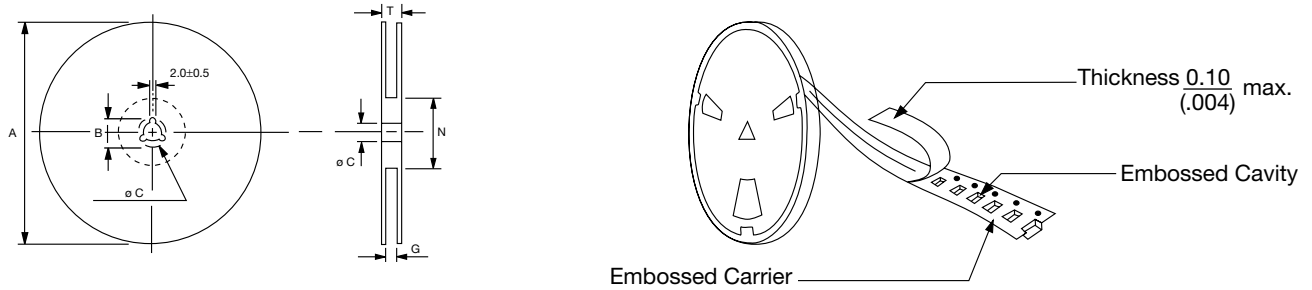
Electrical Data Z (4-5)

BRN-SBC-108	
47 MHz	160 Ω
230 MHz	270 Ω
470 MHz	275 Ω
860 MHz	290 Ω

Chip Balun Transformer Packaging Specifications

BOURNS®

Packaging Specifications

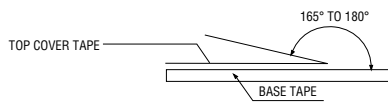


Reel Dimensions

Model	Tape Size	A	B	C	G	N	T	Packaging
BRN-SBC-108	$\frac{16}{(.63)}$	$\frac{178}{(7.008)}$	$\frac{24.0 \pm 1}{(.945 \pm .039)}$	$\frac{13.0 \pm 0.5}{(.512 \pm .020)}$	$\frac{18}{(.709)}$	$\frac{50^{\circ}}{(1.969^{\circ})}$	$\frac{22.4}{(.882)}$	500 pcs. per Reel

DIMENSIONS ARE: $\frac{\text{METRIC}}{\text{(INCHES)}}$

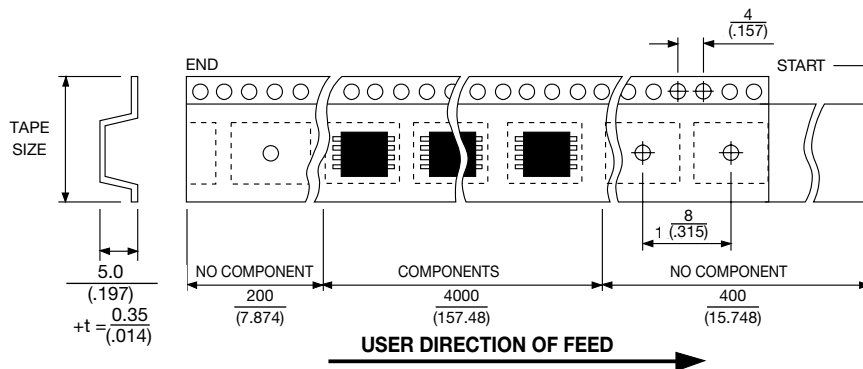
Strength Of Cover Tape



Materials

Paper
Plastics

The force for tearing off cover tape is 10 to 130 grams in the arrow direction.



Mouser Electronics

Authorized Distributor

Click to View Pricing, Inventory, Delivery & Lifecycle Information:

Bourns:

[BRN-SBC-108L](#)