

Fixed Length Cable Assemblies

INCHES (MILLIMETERS)
CUSTOMER DRAWINGS AVAILABLE UPON REQUEST

MCX STRAIGHT PLUG TO MCX RIGHT ANGLE PLUG



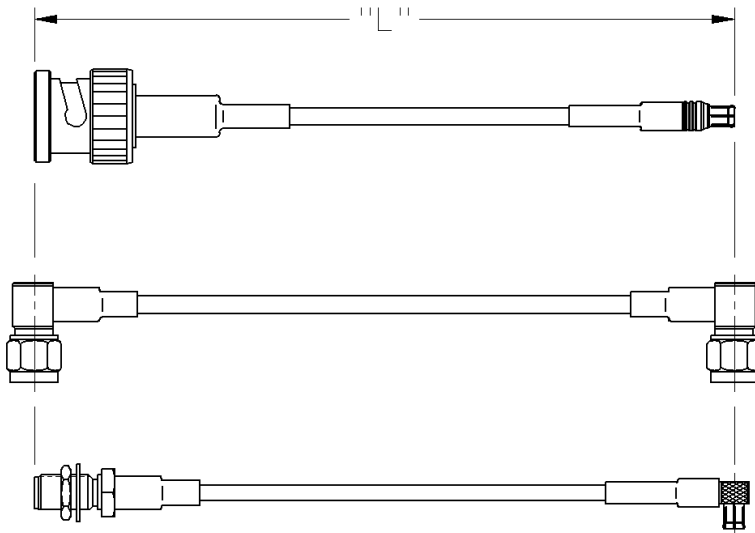
| PART NUMBER | CABLE TYPE | CABLE LENGTH | CONNECTOR A | CONNECTOR B |
|--------------|------------|--------------|--------------|--------------|
| 415-0017-006 | RG-316 | 6" | 133-3403-001 | 133-3403-101 |
| 415-0017-012 | RG-316 | 12" | 133-3403-001 | 133-3403-101 |
| 415-0017-018 | RG-316 | 18" | 133-3403-001 | 133-3403-101 |

| PART NUMBER | CABLE TYPE | CABLE LENGTH | CONNECTOR A | CONNECTOR B |
|--------------|------------|--------------|--------------|--------------|
| 415-0017-024 | RG-316 | 24" | 133-3403-001 | 133-3403-101 |
| 415-0017-030 | RG-316 | 30" | 133-3403-001 | 133-3403-101 |
| 415-0017-036 | RG-316 | 36" | 133-3403-001 | 133-3403-101 |

Electrical Ratings

Electrical ratings of a cable assembly are determined by the limiting connector type and cable size.

| Connector | Cable | Connector Impedance (Ohms) | Frequency (GHz) | Dielectric Withstanding Voltage (Vrms) | Working Voltage (Vrms) |
|-----------|-----------|----------------------------|-----------------|--|------------------------|
| MCX | RG-178 | 50 | 6 | 750 Vrms | 250 Vrms |
| | RG-316 | 50 | 6 | 1000 Vrms | 335 Vrms |
| | RG-316 DS | 50 | 6 | 1000 Vrms | 335 Vrms |



Johnson Components' cable length applies to the end of straight connectors. The length is applied to the vertical centroid of right angle connectors.

The last three digits of the part number reflect the length of the cable in inches.

Mouser Electronics

Authorized Distributor

Click to View Pricing, Inventory, Delivery & Lifecycle Information:

[Cinch Connectivity Solutions:](#)

[415-0017-012](#)