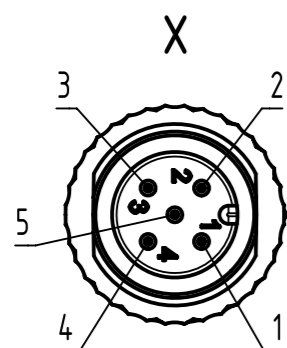


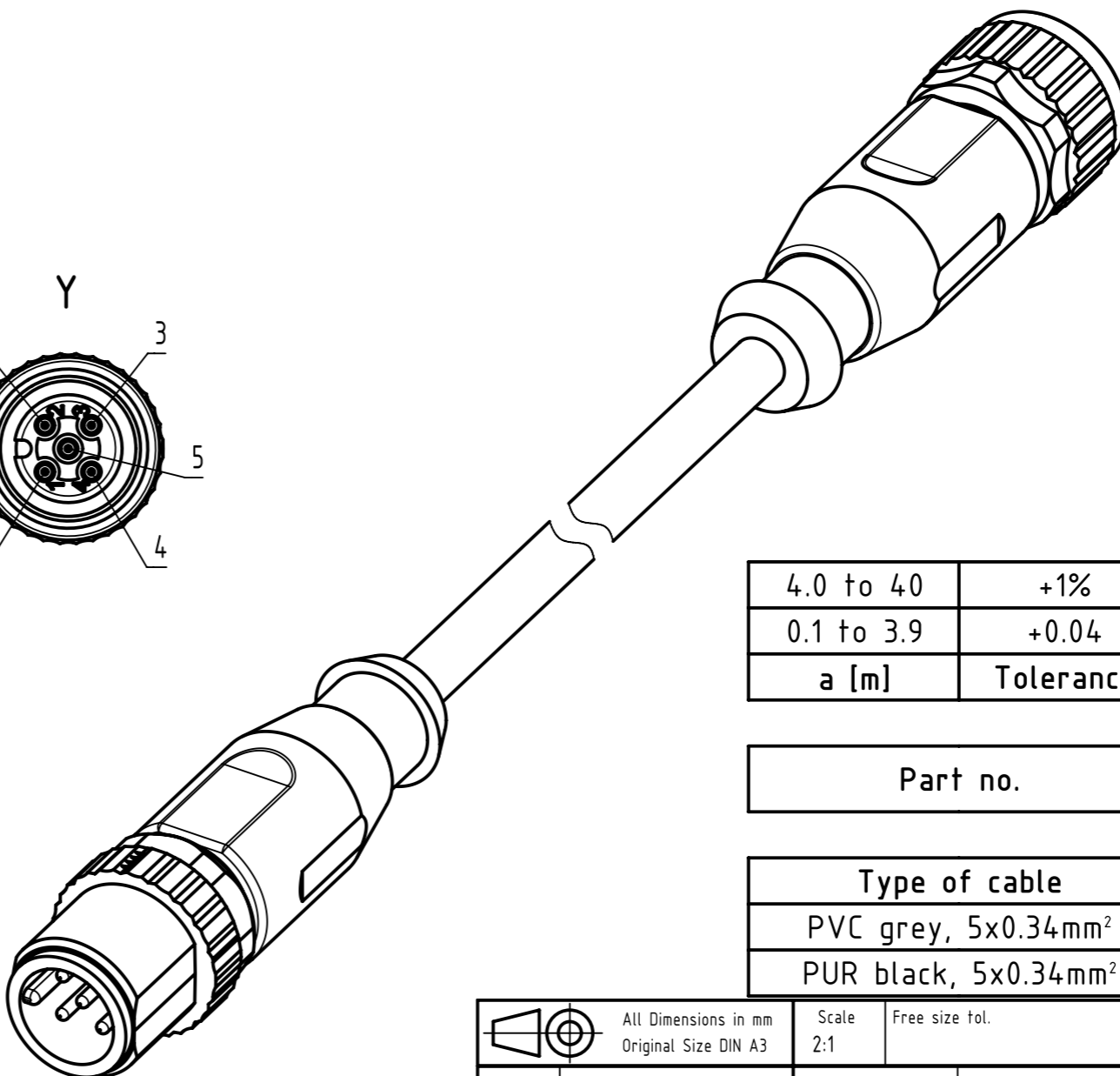
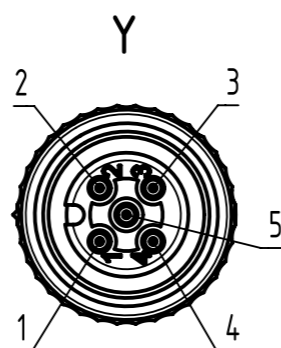
M12 A-coded 5-pole, male straight connector

M12 A-coded 5-pole, female straight connector

Loading-Plan:



- 1 brown 1
- 2 white 2
- 3 blue 3
- 4 black 4
- 5 green-yellow 5



length in "1m" step	40	XXX=400
	39	XXX=390
	.	.
	12	XXX=120
	11	XXX=110
length in "0.1m" step	10	XXX=100
	9.9	XXX=099
	9.8	XXX=098
	.	.
	0.4	XXX=004
	0.3	XXX=003
	0.2	XXX=002
0.1	XXX=001	
Step	a [m]	XXX

4.0 to 40	+1%
0.1 to 3.9	+0.04
a [m]	Tolerance

Part no.	213484855XXX
----------	--------------

Type of cable	XX
PVC grey, 5x0.34mm <sup>2</sup>	XX=85
PUR black, 5x0.34mm <sup>2</sup>	XX=92

- Protection level: IP67  
 - Temperature range: -25°C ... +80°C

All rights reserved Department EC PD - RO		All Dimensions in mm Original Size DIN A3	Scale 2:1 Free size tol.	Ref. Sub.
Created by TAMAS Inspected by AVRAM Standardisation HOFFMANN	Date 2015-05-20 State Final Release	Title M12 A-coded Cable Assembly		Doc-Key / ECM-Nr. 100578788/UGD/009/C 50000089226
HARTING Electronics GmbH D-32339 Espelkamp	Type TB Number 213484855XXXX	Rev. C	Page 1/1	

# Mouser Electronics

Authorized Distributor

Click to View Pricing, Inventory, Delivery & Lifecycle Information:

## HARTING:

[21348485585050](#) [21348485585010](#) [21348485585005](#) [21348485585020](#) [21348485585075](#) [21348485585015](#)  
[21348485585100](#)