

## Overview

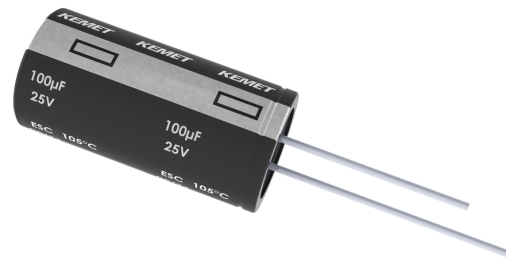
The KEMET ESC single-ended aluminum electrolytic capacitors are designed for low impedance and high frequency applications.

## Applications

Typical applications include high frequency switch mode circuits.

## Benefits

- Low impedance
- 1,000 – 3,000 hour operating life
- Operating temperature of up to 105°C
- Case with  $\varnothing D \geq 5$  mm
- Safety vent on the capacitor base



## Part Number System

ESC	157	M	6R3		A	C3	AA
Series	Capacitance Code (pF)	Tolerance	Rated Voltage (VDC)		Electrical Parameters	Size Code	Packaging
Single-Ended Aluminum Electrolytic	First two digits represent significant figures for capacitance values. Last digit specifies the number of zeros to be added.	M = ±20%	6R3 = 6.3 010 = 10 016 = 16 025 = 25	035 = 35 050 = 50 063 = 63 100 = 100	A = Standard	See Dimension Table	See Ordering Options Table

## Ordering Options Table

Diameter	Length	Packaging Type	Lead Type	Lead Length (mm)	Lead and Packaging Code
Standard Bulk Packaging Options					
4 – 22	All	Bulk (bag)	Straight	20/15 Minimum	AA
Tape & Reel					
4 – 5	All	Tape & Reel	Formed to 2.5 mm	$H_0 = 16 \pm 0.75$	LA
4 – 8	All	Tape & Reel	2.5 mm lead spacing	$H_0 = 18.5 \pm 0.75$	KA
4 – 8	All	Tape & Reel	Formed to 5 mm	$H_0 = 16 \pm 0.75$	JA
10	$\leq 20$	Tape & Reel	Straight	$H_0 = 18.5 \pm 0.75$	KA
Ammo Pack					
4 – 8	All	Ammo	Formed to 5 mm	$H_0 = 16 \pm 0.75$	DA
4 – 8	All	Ammo	Straight	$H_0 = 18.5 \pm 0.75$	EA
4 – 5	All	Ammo	Formed to 2.5 mm	$H_0 = 16 \pm 0.75$	FA
10 – 13	All	Ammo	5 mm lead spacing	$H_0 = 18.5 \pm 0.75$	EA
16	All	Ammo	7.5 mm lead spacing	$H_0 = 18.5 \pm 0.75$	EA
18	$\leq 25$	Ammo	7.5 mm lead spacing	$H_0 = 18.5 \pm 0.75$	EA
Contact KEMET for other lead and packaging options					

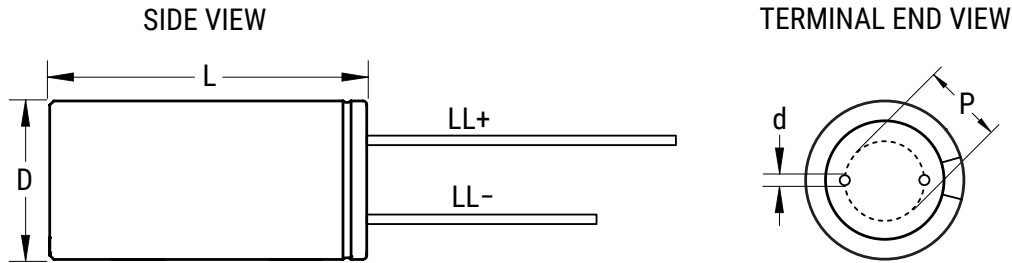
## Environmental Compliance

As an environmentally conscious company, KEMET is working continuously with improvements concerning the environmental effects of both our capacitors and their production. In Europe (RoHS Directive) and in some other geographical areas like China, legislation has been put in place to prevent the use of some hazardous materials, such as lead (Pb), in electronic equipment. All products in this catalog are produced to help our customers' obligations to guarantee their products and fulfill these legislative requirements. The only material of concern in our products has been lead (Pb), which has been removed from all designs to fulfill the requirement of containing less than 0.1% of lead in any homogeneous material. KEMET will closely follow any changes in legislation world wide and make any necessary changes in its products, whenever needed.

Some customer segments such as medical, military and automotive electronics may still require the use of lead in electrode coatings. To clarify the situation and distinguish products from each other, a special symbol is used on the packaging labels for RoHS compatible capacitors.

Due to customer requirements, there may appear additional markings such as lead free (LF) or lead-free wires (LFW) on the label.

## Dimensions – Millimeters



Size Code	D		L		p		d		LL+/LL-	
	Nominal	Tolerance	Nominal	Tolerance	Nominal	Tolerance	Nominal	Tolerance	Nominal	Tolerance
C3	5.0	±0.5	11.0	+1.5/-0	2.0	±0.5	0.5	Nominal	20/15	Minimum
E3	6.3	±0.5	11.0	+1.5/-0	2.5	±0.5	0.5	Nominal	20/15	Minimum
G3	8.0	±0.5	11.0	+1.5/-0	3.5	±0.5	0.6	Nominal	20/15	Minimum
G4	8.0	±0.5	15.0	+2.0/-0	3.5	±0.5	0.6	Nominal	20/15	Minimum
G6	8.0	±0.5	20.0	+2.0/-0	3.5	±0.5	0.6	Nominal	20/15	Minimum
H9	10.0	±0.5	12.5	+1.5/-0	5.0	±0.5	0.6	Nominal	20/15	Minimum
H8	10.0	±0.5	16.0	+2.0/-0	5.0	±0.5	0.6	Nominal	20/15	Minimum
H4	10.0	±0.5	20.0	+2.0/-0	5.0	±0.5	0.6	Nominal	20/15	Minimum
H5	10.0	±0.5	25.0	+2.0/-0	5.0	±0.5	0.6	Nominal	20/15	Minimum
H6	10.0	±0.5	30.0	+2.0/-0	5.0	±0.5	0.6	Nominal	20/15	Minimum
L3	13.0	±0.5	20.0	+2.0/-0	5.0	±0.5	0.6	Nominal	20/15	Minimum
L4	13.0	±0.5	25.0	+2.0/-0	5.0	±0.5	0.6	Nominal	20/15	Minimum
L8	13.0	±0.5	30.0	+2.0/-0	5.0	±0.5	0.6	Nominal	20/15	Minimum
L7	13.0	±0.5	40.0	+2.0/-0	5.0	±0.5	0.6	Nominal	20/15	Minimum
M7	16.0	±0.5	25.0	+2.0/-0	7.5	±0.5	0.8	Nominal	20/15	Minimum
M2	16.0	±0.5	32.0	+2.0/-0	7.5	±0.5	0.8	Nominal	20/15	Minimum
M3	16.0	±0.5	36.0	+2.0/-0	7.5	±0.5	0.8	Nominal	20/15	Minimum
N2	18.0	±0.5	36.0	+2.0/-0	7.5	±0.5	0.8	Nominal	20/15	Minimum
N3	18.0	±0.5	40.0	+2.0/-0	7.5	±0.5	0.8	Nominal	20/15	Minimum

## Performance Characteristics

Item	Performance Characteristics
Capacitance Range	4.7 – 15,000 $\mu$ F
Capacitance Tolerance	$\pm$ 20% at 120 Hz/20°C
Rated Voltage	6.3 – 100 VDC
Life Test	2,000 – 3,000 hours (see conditions in Test Method & Performance)
Operating Temperature	-40°C to +105°C
Leakage Current	$I \leq 0.01 CV$ or 3 $\mu$ A, whichever is greater
	C = rated capacitance ( $\mu$ F), V = rated voltage (VDC). Voltage applied for 2 minutes at 20°C.

## Impedance Z Characteristics at 120 Hz

Rated Voltage (VDC)	6	10	16	25	35	50	63	100
Z (-25°C)/Z (20°C)	4	3	3	3	3	2	2	2
Z (-40°C)/Z (20°C)	8	6	4	4	4	4	4	4

## Compensation Factor of Ripple Current (RC) vs. Frequency

Capacitance Range ( $\mu$ F)	50 Hz	120 Hz	300 Hz	1 kHz	10 kHz	100 kHz
4.7	0.30	0.40	0.50	0.70	0.80	1.00
5.6 – 33	0.40	0.50	0.60	0.80	0.90	1.00
34 – 330	0.60	0.70	0.80	0.90	0.95	1.00
331 – 1,000	0.65	0.90	0.90	0.98	1.00	1.00
1,200 – 15,000	0.85	0.90	0.95	0.98	1.00	1.00

## Test Method & Performance

Conditions	Load Life Test		Shelf Life Test
Temperature	105°C		105°C
Test Duration	Can Ø ≥ 5 x 11, ≤ 10 x 12.5 mm	2,000 hours	1,000 hours
	Can Ø ≥ 10 x 15 mm	3,000 hours	
	If dimension is down size, endurance will be 1,000 hours less than standard		
Ripple Current	Maximum ripple current specified at 100 KHz 105°C		No ripple current applied
Voltage	The sum of DC voltage and the peak AC voltage must not exceed the rated voltage of the capacitor		No voltage applied
<b>Performance</b>	<b>The following specifications will be satisfied when the capacitor is restored to 20°C:</b>		
Capacitance Change	Within ±20% of the initial value		
Dissipation Factor	Does not exceed 200% of the specified value		
Leakage Current	Does not exceed specified value		

## Shelf Life

The capacitance, ESR and impedance of a capacitor will not change significantly after extended storage periods, however, the leakage current will very slowly increase.

KEMET's E aluminum electrolytic capacitors should not be stored in high temperatures or where there is a high level of humidity. The suitable storage condition for KEMET's E aluminum electrolytic capacitors is +5 to +35°C and less than 75% in relative humidity. KEMET's E aluminum electrolytic capacitors should not be stored in damp conditions such as water, saltwater spray or oil spray. KEMET's E aluminum electrolytic capacitors should not be stored in an environment full of hazardous gas (hydrogen sulphide, sulphurous acid gas, nitrous acid, chlorine gas, ammonium, etc.) KEMET's E aluminum electrolytic capacitors should not be stored under exposure to ozone, ultraviolet rays or radiation.

**If a capacitor has been stored for more than 18 months under these conditions and it shows increased leakage current, then a treatment by voltage application is recommended.**

## Re-Age (Reforming) Procedure

Apply the rated voltage to the capacitor at room temperature for a period of one hour, or until the leakage current has fallen to a steady value below the specified limit. During re-aging a maximum charging current of twice the specified leakage current or 5 mA, whichever is greater, is suggested.

**Table 1 – Ratings & Part Number Reference**

VDC	VDC Surge Voltage	Rated Capacitance 120 Hz 20°C (µF)	Case Size D x L (mm)	DF 120 Hz 20°C (tan δ %) <sup>1</sup>	Z 100 kHz 20°C (Ω)	RC 100 kHz 105°C (mA)	LC 20°C 2 Minutes (µA)	Part Number
6.3	8	150	5 x 11	22	0.420	200	9.5	ESC157M6R3AC3(1)
6.3	8	220	6.3 x 11	22	0.320	250	13.9	ESC227M6R3AE3(1)
6.3	8	270	6.3 x 11	22	0.220	250	17.0	ESC277M6R3AE3(1)
6.3	8	330	6.3 x 11	22	0.230	250	20.8	ESC337M6R3AE3(1)
6.3	8	330	8 x 11	22	0.180	400	20.8	ESC337M6R3AG3(1)
6.3	8	470	*6.3 x 11	22	0.180	440	29.6	ESC477M6R3AE3(1)
6.3	8	470	8 x 11	22	0.140	550	29.6	ESC477M6R3AG3(1)
6.3	8	680	*8 x 11	22	0.120	580	42.8	ESC687M6R3AG3(1)
6.3	8	680	8 x 15	22	0.100	700	42.8	ESC687M6R3AG4(1)
6.3	8	820	8 x 20	22	0.085	750	51.7	ESC827M6R3AG6(1)
6.3	8	1000	*8 x 11	22	0.150	580	63.0	ESC108M6R3AG3(1)
6.3	8	1000	8 x 15	22	0.085	700	63.0	ESC108M6R3AG4(1)
6.3	8	1000	8 x 20	22	0.069	800	63.0	ESC108M6R3AG6(1)
6.3	8	1000	10 x 12.5	22	0.080	690	63.0	ESC108M6R3AH9(1)
6.3	8	1200	10 x 16	22	0.064	1000	75.6	ESC128M6R3AH8(1)
6.3	8	1500	*8 x 15	22	0.085	980	94.5	ESC158M6R3AG4(1)
6.3	8	1500	8 x 20	22	0.051	800	94.5	ESC158M6R3AG6(1)
6.3	8	1500	*10 x 16	22	0.055	1070	94.5	ESC158M6R3AH8(1)
6.3	8	1500	10 x 20	22	0.044	1250	94.5	ESC158M6R3AH4(1)
6.3	8	2200	*10 x 20	22	0.051	1220	138.6	ESC228M6R3AH4(1)
6.3	8	2200	*10 x 25	22	0.048	1310	138.6	ESC228M6R3AH5(1)
6.3	8	2200	13 x 20	22	0.043	1450	138.6	ESC228M6R3AL3(1)
6.3	8	3300	*10 x 25	22	0.043	1400	207.9	ESC338M6R3AH5(1)
6.3	8	3300	13 x 25	22	0.035	1700	207.9	ESC338M6R3AL4(1)
6.3	8	3900	13 x 25	22	0.032	1750	245.7	ESC398M6R3AL4(1)
6.3	8	4700	*13 x 25	22	0.032	1520	296.1	ESC478M6R3AL4(1)
6.3	8	4700	*13 x 30	22	0.033	1570	296.1	ESC478M6R3AL8(1)
6.3	8	4700	16 x 25	22	0.028	1800	296.1	ESC478M6R3AM7(1)
6.3	8	6800	16 x 32	22	0.024	2000	428.4	ESC688M6R3AM2(1)
6.3	8	8200	16 x 32	22	0.019	2350	516.6	ESC828M6R3AM2(1)
6.3	8	10000	16 x 36	22	0.019	2550	630.0	ESC109M6R3AM3(1)
6.3	8	15000	18 x 36	22	0.019	3000	945.0	ESC159M6R3AN2(1)
10	13	100	5 x 11	19	0.420	150	10.0	ESC107M010AC3(1)
10	13	120	5 x 11	19	0.370	200	12.0	ESC127M010AC3(1)
10	13	150	6.3 x 11	19	0.320	250	15.0	ESC157M010AE3(1)
10	13	220	6.3 x 11	19	0.220	300	22.0	ESC227M010AE3(1)
10	13	330	8 x 11	19	0.140	550	33.0	ESC337M010AG3(1)
10	13	470	8 x 11	19	0.120	550	47.0	ESC477M010AG3(1)
10	13	470	8 x 15	19	0.100	750	47.0	ESC477M010AG4(1)
10	13	680	*8 x 11	19	0.110	640	68.0	ESC687M010AG3(1)
10	13	680	10 x 12.5	19	0.085	800	68.0	ESC687M010AH9(1)
10	13	820	10 x 16	19	0.064	1050	82.0	ESC827M010AH8(1)
10	13	1000	8 x 20	19	0.065	1080	100.0	ESC108M010AG6(1)
10	13	1000	*10 x 12.5	19	0.075	930	100.0	ESC108M010AH9(1)
10	13	1000	10 x 16	19	0.085	990	100.0	ESC108M010AH8(1)
10	13	1000	10 x 20	19	0.050	1100	100.0	ESC108M010AH4(1)
10	13	1200	10 x 20	19	0.044	1250	120.0	ESC128M010AH4(1)
10	13	1500	10 x 20	19	0.039	1450	150.0	ESC158M010AH4(1)
10	13	2200	*10 x 20	19	0.047	1330	220.0	ESC228M010AH4(1)
10	13	2200	*10 x 25	19	0.039	1450	220.0	ESC228M010AH5(1)
10	13	2200	13 x 20	19	0.038	1600	220.0	ESC228M010AL3(1)
10	13	3300	*10 x 30	19	0.032	2000	330.0	ESC338M010AH6(1)
10	13	3300	13 x 25	19	0.028	2000	330.0	ESC338M010AL4(1)
10	13	4700	*13 x 25	19	0.028	1860	470.0	ESC478M010AL4(1)
10	13	4700	16 x 25	19	0.024	2200	470.0	ESC478M010AM7(1)
10	13	6800	16 x 36	19	0.019	2550	680.0	ESC688M010AM3(1)
VDC	VDC Surge	Rated Capacitance	Case Size	DF	Z	RC	LC	Part Number

(1) Insert packaging code. See Ordering Options Table for available options.

<sup>1</sup> When capacitance exceeds 1,000 µF, the DF value (%) is increased by 2% for every additional 1,000 µF.

\* Dimension is down size, Endurance will be less 1,000 hours than standard.

**Table 1 – Ratings & Part Number Reference cont.**

VDC	VDC Surge Voltage	Rated Capacitance 120 Hz 20°C (µF)	Case Size D x L (mm)	DF 120 Hz 20°C (tan δ %) <sup>1</sup>	Z 100 kHz 20°C (Ω)	RC 100 kHz 105°C (mA)	LC 20°C 2 Minutes (µA)	Part Number
10	13	8200	18 x 36	19	0.019	2800	820.0	ESC828M010AN2(1)
16	20	56	5 x 11	16	0.630	100	9.0	ESC566M016AC3(1)
16	20	68	5 x 11	16	0.420	150	10.9	ESC686M016AC3(1)
16	20	100	5 x 11	16	0.370	200	16.0	ESC107M016AC3(1)
16	20	120	6.3 x 11	16	0.320	250	19.2	ESC127M016AE3(1)
16	20	150	6.3 x 11	16	0.220	300	24.0	ESC157M016AE3(1)
16	20	220	8 x 11	16	0.140	550	35.2	ESC227M016AG3(1)
16	20	330	8 x 11	16	0.120	550	52.8	ESC337M016AG3(1)
16	20	330	8 x 15	16	0.100	750	52.8	ESC337M016AG4(1)
16	20	330	10 x 12.5	16	0.080	688	52.8	ESC337M016AH9(1)
16	20	470	8 x 15	16	0.093	730	75.2	ESC477M016AG4(1)
16	20	470	10 x 12.5	16	0.085	800	75.2	ESC477M016AH9(1)
16	20	680	10 x 16	16	0.064	1050	108.8	ESC687M016AH8(1)
16	20	820	10 x 20	16	0.044	1100	131.2	ESC827M016AH4(1)
16	20	1000	*10 x 16	16	0.043	1140	160.0	ESC108M016AH8(1)
16	20	1000	10 x 20	16	0.039	1250	160.0	ESC108M016AH4(1)
16	20	1200	*10 x 25	16	0.042	1310	192.0	ESC128M016AH5(1)
16	20	1200	13 x 20	16	0.038	1450	192.0	ESC128M016AL3(1)
16	20	1500	*10 x 20	16	0.045	1200	240.0	ESC158M016AH4(1)
16	20	1500	13 x 20	16	0.034	1600	240.0	ESC158M016AL3(1)
16	20	2200	*10 x 30	16	0.032	1780	352.0	ESC228M016AH6(1)
16	20	2200	*13 x 20	16	0.033	1720	352.0	ESC228M016AL3(1)
16	20	2200	13 x 25	16	0.028	2000	352.0	ESC228M016AL4(1)
16	20	3300	*13 x 40	16	0.026	2200	528.0	ESC338M016AL7(1)
16	20	3300	16 x 25	16	0.024	2200	528.0	ESC338M016AM7(1)
16	20	4700	16 x 36	16	0.019	2550	752.0	ESC478M016AM3(1)
16	20	6800	18 x 36	16	0.019	2800	1088.0	ESC688M016AN2(1)
25	32	10	5 x 11	14	0.550	50	3.0	ESC106M025AC3(1)
25	32	47	5 x 11	14	0.450	150	11.8	ESC476M025AC3(1)
25	32	56	5 x 11	14	0.420	150	14.0	ESC566M025AC3(1)
25	32	68	6.3 x 11	14	0.370	200	17.0	ESC686M025AE3(1)
25	32	100	6.3 x 11	14	0.220	250	25.0	ESC107M025AE3(1)
25	32	120	8 x 11	14	0.200	300	30.0	ESC127M025AG3(1)
25	32	150	8 x 11	14	0.140	550	37.5	ESC157M025AG3(1)
25	32	220	8 x 11	14	0.120	550	55.0	ESC227M025AG3(1)
25	32	220	8 x 15	14	0.100	750	55.0	ESC227M025AG4(1)
25	32	330	*8 x 15	14	0.100	660	82.5	ESC337M025AG4(1)
25	32	330	8 x 20	14	0.069	800	82.5	ESC337M025AG6(1)
25	32	330	10 x 16	14	0.086	900	82.5	ESC337M025AH8(1)
25	32	470	8 x 20	14	0.067	800	117.5	ESC477M025AG6(1)
25	32	470	10 x 16	14	0.064	1050	117.5	ESC477M025AH8(1)
25	32	470	10 x 12.5	14	0.086	760	117.5	ESC477M025AH9(1)
25	32	680	10 x 20	14	0.039	1100	170.0	ESC687M025AH4(1)
25	32	820	10 x 20	14	0.039	1250	205.0	ESC827M025AH4(1)
25	32	1000	*10 x 20	14	0.047	1160	250.0	ESC108M025AH4(1)
25	32	1000	*10 x 25	14	0.042	1310	250.0	ESC108M025AH5(1)
25	32	1000	13 x 20	14	0.038	1450	250.0	ESC108M025AL3(1)
25	32	1200	13 x 25	14	0.035	1600	300.0	ESC128M025AL4(1)
25	32	1500	*13 x 30	14	0.032	1750	375.0	ESC158M025AL8(1)
25	32	1500	16 x 25	14	0.028	2000	375.0	ESC158M025AM7(1)
25	32	2200	*13 x 30	14	0.029	1810	550.0	ESC228M025AL8(1)
25	32	2200	*16 x 25	14	0.032	1660	550.0	ESC228M025AM7(1)
25	32	2200	16 x 32	14	0.024	2200	550.0	ESC228M025AM2(1)
25	32	3300	*16 x 36	14	0.019	2540	825.0	ESC338M025AM3(1)
25	32	3300	18 x 36	14	0.019	2550	825.0	ESC338M025AN2(1)
25	32	4700	18 x 36	14	0.019	2800	1175.0	ESC478M025AN2(1)
VDC	VDC Surge	Rated Capacitance	Case Size	DF	Z	RC	LC	Part Number

(1) Insert packaging code. See Ordering Options Table for available options.

<sup>1</sup> When capacitance exceeds 1,000 µF, the DF value (%) is increased by 2% for every additional 1,000 µF.

\* Dimension is down size, Endurance will be less 1,000 hours than standard.

**Table 1 – Ratings & Part Number Reference cont.**

VDC	VDC Surge Voltage	Rated Capacitance 120 Hz 20°C (µF)	Case Size D x L (mm)	DF 120 Hz 20°C (tan δ %) <sup>1</sup>	Z 100 kHz 20°C (Ω)	RC 100 kHz 105°C (mA)	LC 20°C 2 Minutes (µA)	Part Number
25	32	6800	18 x 36	14	0.019	2800	1700.0	ESC688M025AN2(1)
35	44	4.7	5 x 11	12	1.200	115	3.0	ESC475M035AC3(1)
35	44	6.8	5 x 11	12	1.000	120	3.0	ESC685M035AC3(1)
35	44	10	5 x 11	12	0.900	140	3.5	ESC106M035AC3(1)
35	44	15	5 x 11	12	0.690	170	5.3	ESC156M035AC3(1)
35	44	22	5 x 11	12	0.600	190	7.7	ESC226M035AC3(1)
35	44	33	5 x 11	12	0.580	200	11.6	ESC336M035AC3(1)
35	44	47	6.3 x 11	12	0.039	250	16.5	ESC476M035AE3(1)
35	44	68	6.3 x 11	12	0.220	300	23.8	ESC686M035AE3(1)
35	44	100	6.3 x 11	12	0.180	300	35.0	ESC107M035AE3(1)
35	44	100	8 x 11	12	0.140	450	35.0	ESC107M035AG3(1)
35	44	120	8 x 11	12	0.130	550	42.0	ESC127M035AG3(1)
35	44	150	8 x 15	12	0.100	650	52.5	ESC157M035AG4(1)
35	44	220	8 x 15	12	0.100	650	77.0	ESC227M035AG4(1)
35	44	220	10 x 12.5	12	0.069	800	77.0	ESC227M035AH9(1)
35	44	330	*10 x 16	12	0.052	900	115.5	ESC337M035AH8(1)
35	44	330	10 x 20	12	0.044	1050	115.5	ESC337M035AH4(1)
35	44	470	10 x 20	12	0.039	1300	164.5	ESC477M035AH4(1)
35	44	680	13 x 20	12	0.038	1400	238.0	ESC687M035AL3(1)
35	44	820	13 x 20	12	0.034	1550	287.0	ESC827M035AL3(1)
35	44	1000	13 x 25	12	0.029	1700	350.0	ESC108M035AL4(1)
35	44	1200	16 x 25	12	0.028	1900	420.0	ESC128M035AM7(1)
35	44	1500	16 x 25	12	0.024	2100	525.0	ESC158M035AM7(1)
35	44	2200	*16 x 32	12	0.021	2300	770.0	ESC228M035AM2(1)
35	44	2200	16 x 36	12	0.019	2550	770.0	ESC228M035AM3(1)
35	44	3300	18 x 36	12	0.019	2800	1155.0	ESC338M035AN2(1)
50	63	4.7	5 x 11	10	2.000	115	3.0	ESC475M050AC3(1)
50	63	6.8	5 x 11	10	1.850	120	3.4	ESC685M050AC3(1)
50	63	10	5 x 11	10	1.700	140	5.0	ESC106M050AC3(1)
50	63	15	5 x 11	10	1.200	180	7.5	ESC156M050AC3(1)
50	63	22	5 x 11	10	0.700	200	11.0	ESC226M050AC3(1)
50	63	33	6.3 x 11	10	0.600	250	16.5	ESC336M050AE3(1)
50	63	47	6.3 x 11	10	0.520	300	23.5	ESC476M050AE3(1)
50	63	68	8 x 11	10	0.350	450	34.0	ESC686M050AG3(1)
50	63	100	8 x 11	10	0.290	450	50.0	ESC107M050AG3(1)
50	63	100	8 x 15	10	0.250	550	50.0	ESC107M050AG4(1)
50	63	120	8 x 20	10	0.210	650	60.0	ESC127M050AG6(1)
50	63	150	10 x 12.5	10	0.160	800	75.0	ESC157M050AH9(1)
50	63	220	*10 x 16	10	0.100	1050	110.0	ESC227M050AH8(1)
50	63	220	10 x 25	10	0.068	1050	110.0	ESC227M050AH5(1)
50	63	330	10 x 20	10	0.072	1300	165.0	ESC337M050AH4(1)
50	63	470	*10 x 20	10	0.075	1390	235.0	ESC477M050AH4(1)
50	63	470	13 x 20	10	0.060	1400	235.0	ESC477M050AL3(1)
50	63	680	13 x 25	10	0.050	1550	340.0	ESC687M050AL4(1)
50	63	820	16 x 25	10	0.040	1700	410.0	ESC827M050AM7(1)
50	63	1000	16 x 25	10	0.039	1900	500.0	ESC108M050AM7(1)
50	63	1200	16 x 32	10	0.025	2100	600.0	ESC128M050AM2(1)
50	63	1500	16 x 36	10	0.025	2550	750.0	ESC158M050AM3(1)
50	63	2200	18 x 40	10	0.025	2800	1100.0	ESC228M050AN3(1)
63	79	4.7	5 x 11	9	2.200	115	3.0	ESC475M063AC3(1)
63	79	6.8	5 x 11	9	2.000	120	4.3	ESC685M063AC3(1)
63	79	10	5 x 11	9	1.850	140	6.3	ESC106M063AC3(1)
63	79	15	5 x 11	9	1.700	200	9.5	ESC156M063AC3(1)
63	79	22	6.3 x 11	9	1.200	250	13.9	ESC226M063AE3(1)
63	79	33	6.3 x 11	9	0.900	300	20.8	ESC336M063AE3(1)
63	79	47	8 x 11	9	0.700	450	29.6	ESC476M063AG3(1)
VDC	VDC Surge	Rated Capacitance	Case Size	DF	Z	RC	LC	Part Number

(1) Insert packaging code. See Ordering Options Table for available options.

<sup>1</sup> When capacitance exceeds 1,000 µF, the DF value (%) is increased by 2% for every additional 1,000 µF.

\* Dimension is down size, Endurance will be less 1,000 hours than standard.

**Table 1 – Ratings & Part Number Reference cont.**

VDC	VDC Surge Voltage	Rated Capacitance 120 Hz 20°C (µF)	Case Size D x L (mm)	DF 120 Hz 20°C (tan δ %) <sup>1</sup>	Z 100 kHz 20°C (Ω)	RC 100 kHz 105°C (mA)	LC 20°C 2 Minutes (µA)	Part Number
63	79	68	8 x 11	9	0.520	550	42.8	ESC686M063AG3(1)
63	79	100	8 x 20	9	0.350	650	63.0	ESC107M063AG6(1)
63	79	120	10 x 16	9	0.300	800	75.6	ESC127M063AH8(1)
63	79	150	10 x 16	9	0.200	1050	94.5	ESC157M063AH8(1)
63	79	220	10 x 20	9	0.150	1300	138.6	ESC227M063AH4(1)
63	79	330	13 x 20	9	0.100	1400	207.9	ESC337M063AL3(1)
63	79	470	13 x 25	9	0.064	1550	296.1	ESC477M063AL4(1)
63	79	680	16 x 25	9	0.052	1700	428.4	ESC687M063AM7(1)
63	79	820	16 x 32	9	0.048	1900	516.6	ESC827M063AM2(1)
63	79	1000	16 x 32	9	0.042	2100	630.0	ESC108M063AM2(1)
63	79	1200	16 x 36	9	0.036	2550	756.0	ESC128M063AM3(1)
63	79	1500	18 x 36	9	0.033	2800	945.0	ESC158M063AN2(1)
100	125	4.7	5 x 11	8	2.000	120	4.7	ESC475M100AC3(1)
100	125	6.8	5 x 11	8	1.850	140	6.8	ESC685M100AC3(1)
100	125	10	6.3 x 11	8	1.500	200	10.0	ESC106M100AE3(1)
100	125	15	6.3 x 11	8	1.200	250	15.0	ESC156M100AE3(1)
100	125	22	8 x 11	8	0.790	300	22.0	ESC226M100AG3(1)
100	125	33	8 x 15	8	0.590	450	33.0	ESC336M100AG4(1)
100	125	47	10 x 16	8	0.350	550	47.0	ESC476M100AH8(1)
100	125	68	10 x 20	8	0.240	650	68.0	ESC686M100AH4(1)
100	125	100	13 x 20	8	0.180	800	100.0	ESC107M100AL3(1)
100	125	120	13 x 25	8	0.150	1050	120.0	ESC127M100AL4(1)
100	125	150	13 x 25	8	0.110	1300	150.0	ESC157M100AL4(1)
100	125	220	16 x 25	8	0.071	1400	220.0	ESC227M100AM7(1)
100	125	330	16 x 32	8	0.049	1550	330.0	ESC337M100AM2(1)
100	125	470	18 x 36	8	0.038	1700	470.0	ESC477M100AN2(1)
VDC	VDC Surge	Rated Capacitance	Case Size	DF	Z	RC	LC	Part Number

(1) Insert packaging code. See Ordering Options Table for available options.

<sup>1</sup> When capacitance exceeds 1,000 µF, the DF value (%) is increased by 2% for every additional 1,000 µF.

\* Dimension is down size, Endurance will be less 1,000 hours than standard.

## Mounting Positions (Safety Vent)

In operation, electrolytic capacitors will always conduct a leakage current, which causes electrolysis. The oxygen produced by electrolysis will regenerate the dielectric layer but, at the same time, the hydrogen released may cause the internal pressure of the capacitor to increase. The overpressure vent, or safety vent, ensures that the gas can escape when the pressure reaches a certain value. All mounting positions must allow the safety vent to work properly.

## Installing

- As a general principle, lower-use temperatures result in a longer, useful life of the capacitor. For this reason, it should be ensured that electrolytic capacitors are placed away from heat-emitting components. Adequate space should be allowed between components for cooling air to circulate, particularly when high ripple current loads are applied. In any case, the maximum category temperature must not be exceeded.
- Do not deform the case of the capacitors or use capacitors with a deformed case.
- Verify that the connections of the capacitors are able to insert on the board without excessive mechanical force.
- If the capacitors require mounting through additional means, the recommended mounting accessories shall be used.
- Verify the correct polarization of the capacitor on the board.
- Verify that the space around the pressure relief device is according to the following guideline:

Case Diameter	Space Around Safety Vent
≤ 16 mm	> 2 mm
> 16 to ≤ 40 mm	> 3 mm
> 40 mm	> 5 mm

It is recommended that capacitors always be mounted with the safety device uppermost or in the upper part of the capacitor.

- If the capacitors are stored for a long time, the leakage current must be verified. If the leakage current is superior to the value listed in this catalog, the capacitors must be reformed. In this case, they can be reformed by application of the rated voltage through a series resistor approximately 1 kΩ for capacitors with  $V_R \leq 160$  V (5 W resistor) and 10 kΩ for the other rated voltages.
- In the case of capacitors connected in a series, a suitable voltage sharing must be used.  
 In the case of balancing resistors, the approximate resistance value can be calculated as:  $R = 60/C$ .

KEMET recommends, nevertheless, to ensure that the voltage across each capacitor does not exceed its rated voltage.

## Application & Operation Guidelines

### Electrical Ratings:

#### Capacitance (ESC)



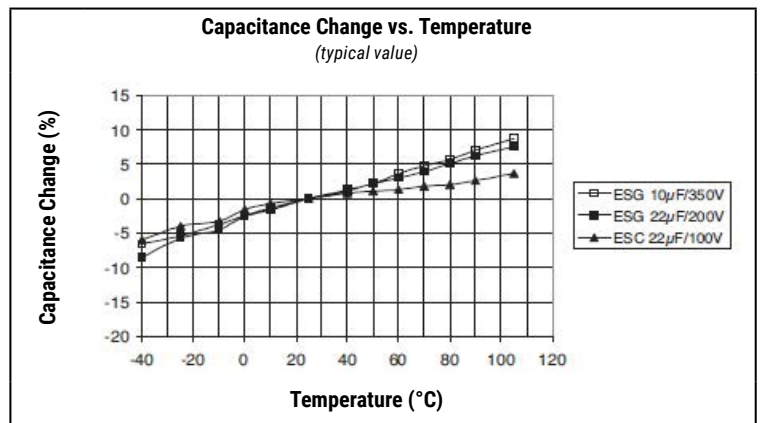
Simplified equivalent circuit diagram of an electrolytic capacitor

The capacitive component of the equivalent series circuit, (equivalent series capacitance - ESC), is determined by applying an alternate voltage of  $\leq 0.5$  V at a frequency of 120 or 100 Hz and 20°C (IEC 384-1, 384-4).

### Temperature Dependence of the Capacitance

Capacitance of an electrolytic capacitor depends upon temperature: with decreasing temperature the viscosity of the electrolyte increases, thereby reducing its conductivity.

Capacitance will decrease if temperature decreases. Furthermore, temperature drifts cause armature dilatation and, therefore, capacitance changes (up to 20% depending on the series considered, from 0 to 80°C). This phenomenon is more evident for electrolytic capacitors than for other types.

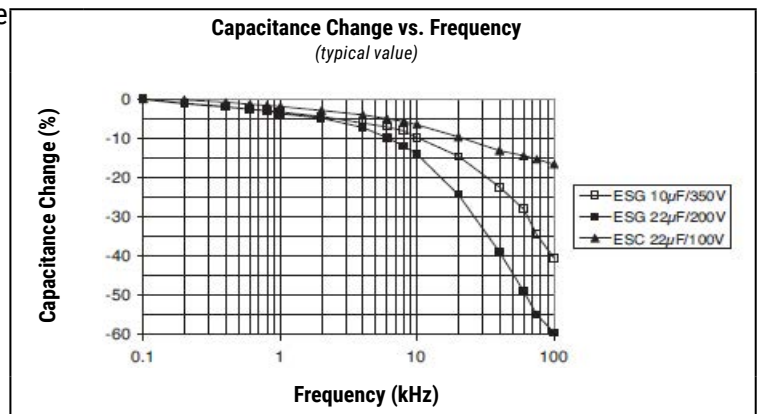


### Frequency Dependence of the Capacitance

Effective capacitance value is derived from the impedance curve, as long as impedance is still in the range where the capacitance component is dominant.

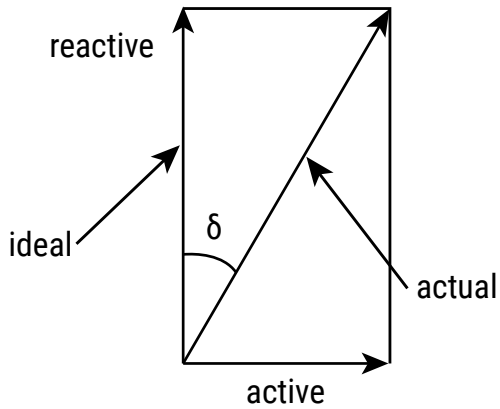
$$C = \frac{1}{2\pi fZ}$$

C = capacitance (F)  
f = frequency (Hz)  
Z = impedance ( $\Omega$ )



### Dissipation Factor $\tan \delta$ (DF)

Dissipation Factor  $\tan \delta$  is the ratio between the active and reactive power for a sinusoidal waveform voltage. It can be thought of as a measurement of the gap between an actual and ideal capacitor.

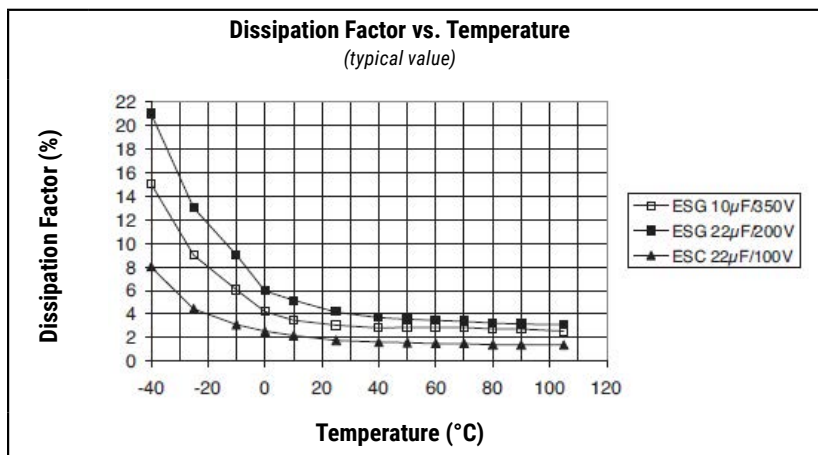
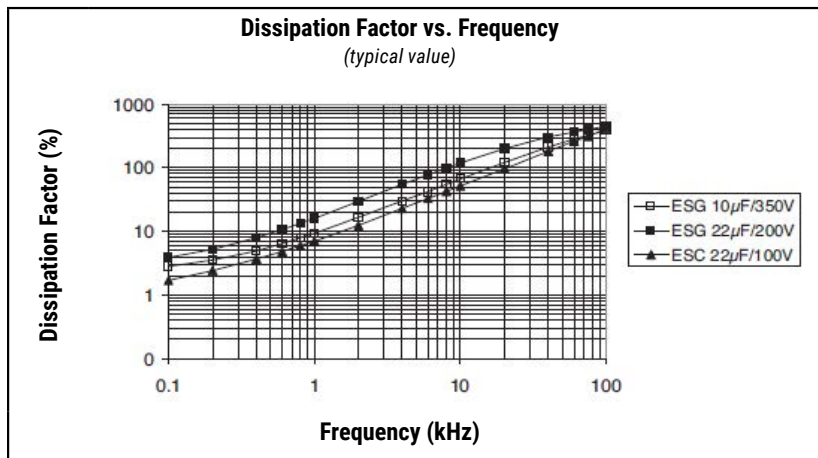


Tan  $\delta$  is measured with the same set-up used for the series capacitance ESC.

Tan  $\delta = \omega \times \text{ESC} \times \text{ESR}$  where:

ESC = Equivalent series capacitance

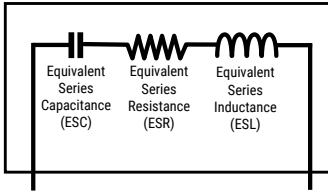
ESR = Equivalent series resistance



### Equivalent Series Inductance (ESL)

Equivalent series inductance or self inductance results from the terminal configuration and internal design of the capacitor.

Capacitor Equivalent Internal Circuit



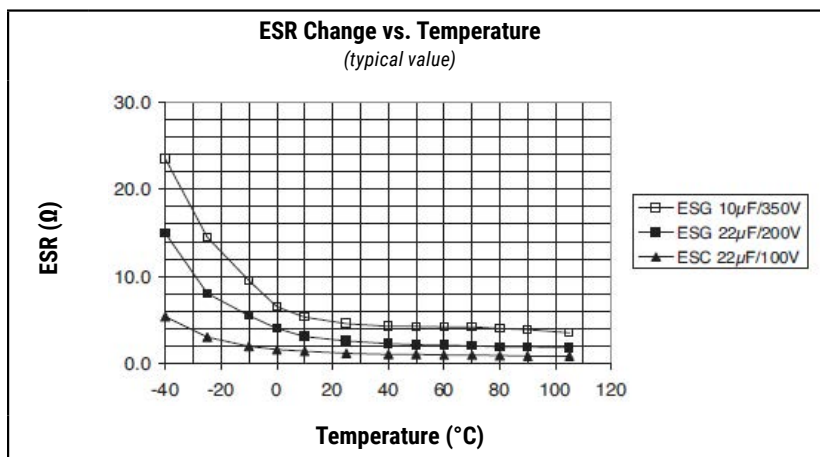
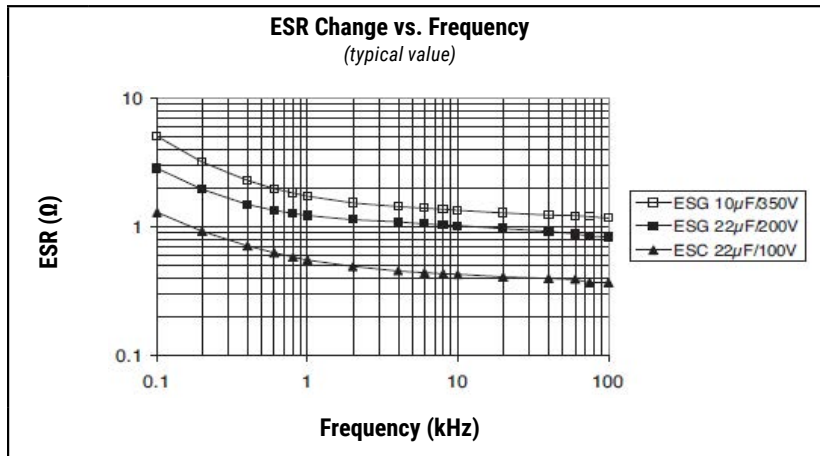
### Equivalent Series Resistance (ESR)

Equivalent series resistance is the resistive component of the equivalent series circuit. ESR value depends on frequency and temperature, and is related to the  $\tan \delta$  by the following equation:

$$ESR = \frac{\tan \delta}{2\pi f ESC}$$

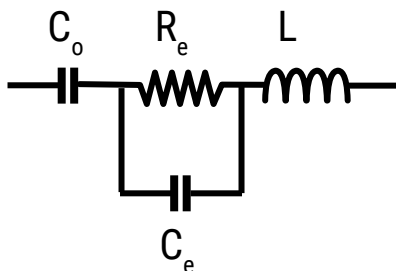
ESR = Equivalent series resistance ( $\Omega$ )  
 $\tan \delta$  = Dissipation factor  
 ESC = Equivalent series capacitance (F)  
 f = Frequency (Hz)

Tolerance limits of the rated capacitance must be taken into account when calculating this value.



### Impedance (Z)

Impedance of an electrolytic capacitor results from a circuit formed by the following individual equivalent series components:



$C_o$  = Aluminum oxide capacitance (surface and thickness of the dielectric.)

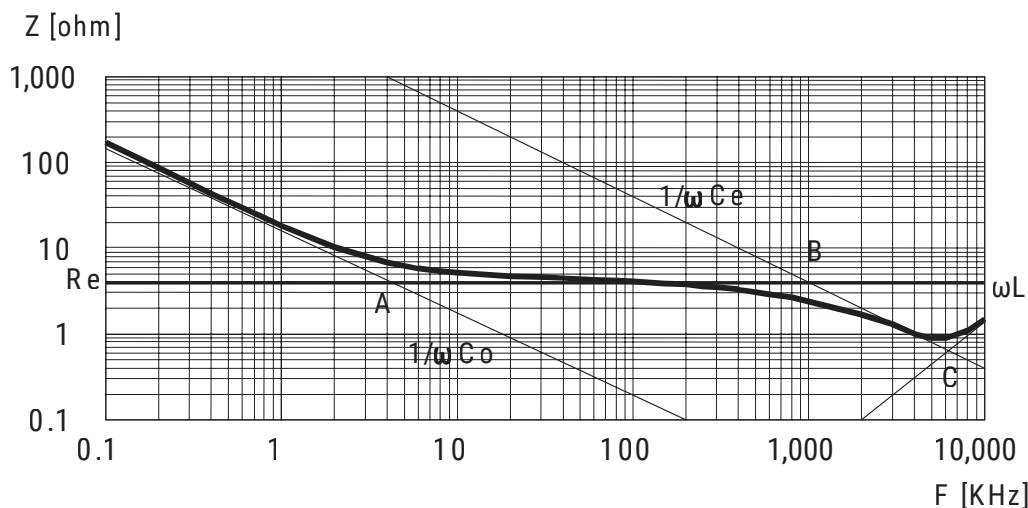
$R_e$  = Resistance of electrolyte and paper mixture (other resistances not depending on the frequency are not considered: tabs, plates, etc.)

$C_e$  = Electrolyte soaked paper capacitance.

$L$  = Inductive reactance of the capacitor winding and terminals.

Impedance of an electrolytic capacitor is not a constant quantity that retains its value under all conditions; it changes depending on frequency and temperature.

Impedance as a function of frequency (sinusoidal waveform) for a certain temperature can be represented as follows:

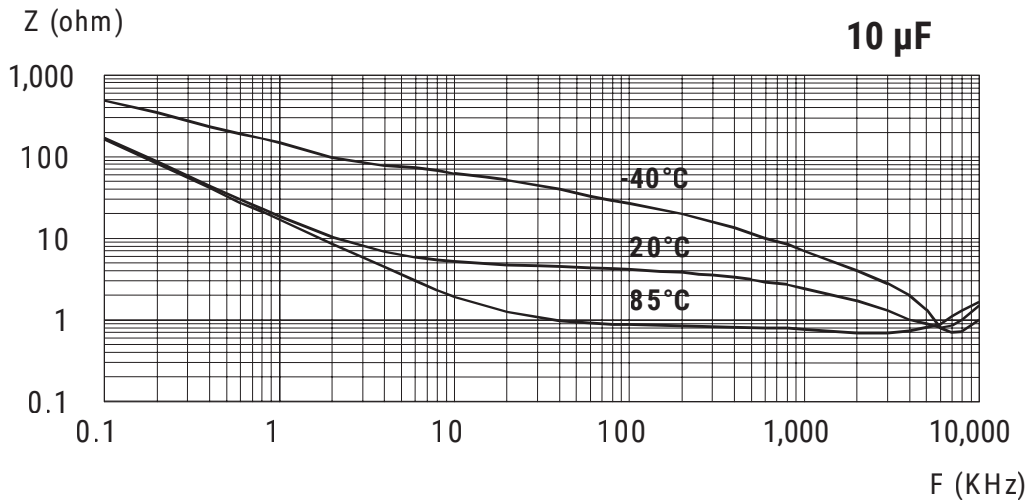


- Capacitive reactance predominates at low frequencies.
- With increasing frequency, capacitive reactance  $X_c = 1/\omega C_o$  decreases until it reaches the order of magnitude of electrolyte resistance  $R_e$  (A)
- At even higher frequencies, resistance of the electrolyte predominates:  $Z = R_e$  (A - B)
- When the capacitor's resonance frequency is reached ( $\omega_o$ ), capacitive and inductive reactance mutually cancel each other  $1/\omega C_e = \omega L$ ,  $\omega_o = 1/\text{SQR}(LC_e)$
- Above this frequency, inductive reactance of the winding and its terminals ( $X_L = Z = \omega L$ ) becomes effective and leads to an increase in impedance

Generally speaking, it can be estimated that  $C_e \approx 0.01 C_o$ .

**Impedance (Z) cont.**

Impedance as a function of frequency (sinusoidal waveform) for different temperature values can be represented as follows (typical values):



$R_e$  is the most temperature-dependent component of an electrolytic capacitor equivalent circuit. Electrolyte resistivity will decrease if temperature rises.

In order to obtain a low impedance value throughout the temperature range,  $R_e$  must be as little as possible. However,  $R_e$  values that are too low indicate a very aggressive electrolyte, resulting in a shorter life of the electrolytic capacitor at high temperatures. A compromise must be reached.

**Leakage Current (LC)**

Due to the aluminum oxide layer that serves as a dielectric, a small current will continue to flow even after a DC voltage has been applied for long periods. This current is called leakage current.

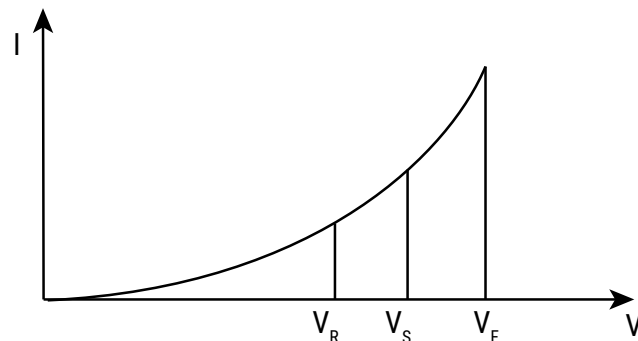
A high leakage current flows after applying voltage to the capacitor then decreases in a few minutes, for example, after prolonged storage without any applied voltage. In the course of continuous operation, the leakage current will decrease and reach an almost constant value.

After a voltage-free storage the oxide layer may deteriorate, especially at a high temperature. Since there are no leakage currents to transport oxygen ions to the anode, the oxide layer is not regenerated. The result is that a higher than normal leakage current will flow when voltage is applied after prolonged storage.

### Leakage Current (LC) cont.

As the oxide layer is regenerated in use, the leakage current will gradually decrease to its normal level.

The relationship between the leakage current and voltage applied at constant temperature can be shown schematically as follows:



Where:

$V_F$  = Forming voltage

If this level is exceeded, a large quantity of heat and gas will be generated and the capacitor could be damaged.

$V_R$  = Rated voltage

This level represents the top of the linear part of the curve.

$V_S$  = Surge voltage

This lies between  $V_R$  and  $V_F$ . The capacitor can be subjected to  $V_S$  for short periods only.

Electrolytic capacitors are subjected to a reforming process before acceptance testing. The purpose of this preconditioning is to ensure that the same initial conditions are maintained when comparing different products.

### Ripple Current (RC)

The maximum ripple current value depends on:

- Ambient temperature
- Surface area of the capacitor (heat dissipation area)
- tan  $\delta$  or ESR
- Frequency

The capacitor's life depends on the thermal stress.

### Frequency Dependence of the Ripple Current

ESR and, thus, the tan  $\delta$  depend on the frequency of the applied voltage. This indicates that the allowed ripple current is also a function of the frequency.

### Temperature Dependence of the Ripple Current

The data sheet specifies maximum ripple current at the upper category temperature for each capacitor.

### Expected Life Calculation

Expected life depends on operating temperature according to the following formula:  $L = L_0 \times 2^{(T_0 - T)/10}$

Where:

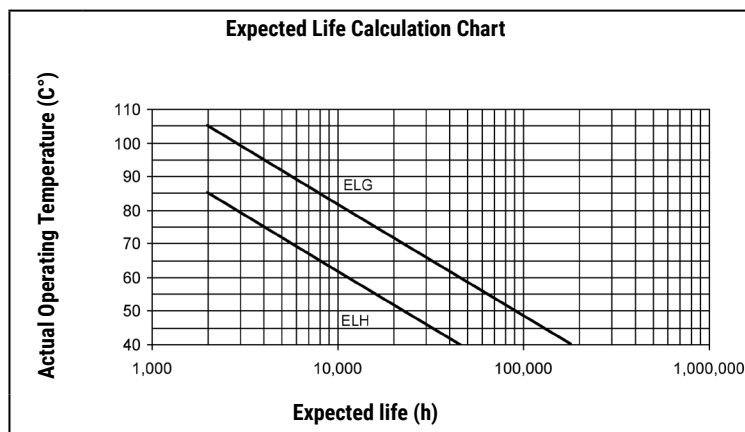
L: Expected life

$L_0$ : Load life at a maximum permissible operating temperature

T: Actual operating temperature

$T_0$ : Maximum permissible operating temperature

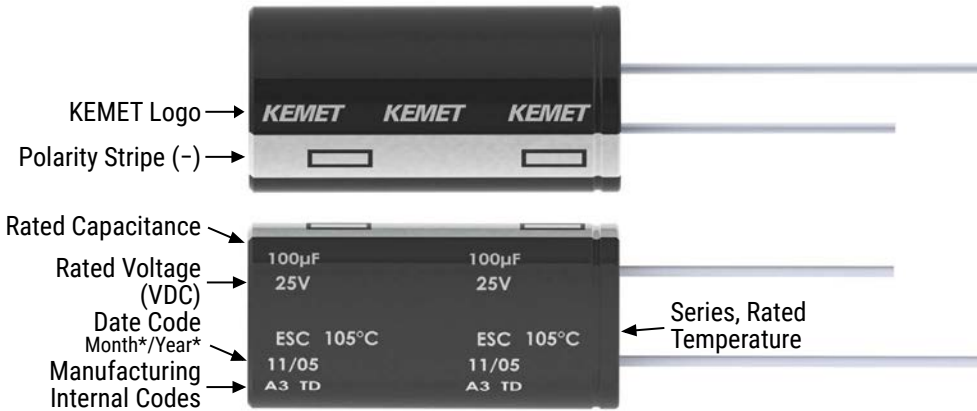
This formula is applicable between 40°C and  $T_0$ .



## Packaging Quantities

Size Code	Diameter (mm)	Length (mm)	Bulk		Auto-insertion	
			Standard Leads	Cut Leads	Ammo	Tape & Reel
C3	5.0	11.0	10,000	15,000	2,000	2,600
E3	6.3	11.0	10,000	15,000	2,000	2,200
G3	8.0	11.0	6,000	8,000	1,000	1,500
G4	8.0	15.0	5,000	5,000	1,000	1,500
G6	8.0	20.0	4,000	4,000	1,000	1,500
H9	10.0	12.5	4,000	4,000	700	1,200
H8	10.0	16.0	3,000	4,000	700	1,200
H4	10.0	20.0	2,400	3,000	700	1,200
H5	10.0	25.0	2,400	2,400	500	
H6	10.0	30.0	2,000	2,000	500	
L3	13.0	20.0	2,000	2,000	500	
L4	13.0	25.0	1,600	1,600	500	
L8	13.0	30.0	1,200	1,200	500	
L7	13.0	40.0	1,000	500	500	
M7	16.0	25.0	1,000	500	300	
M2	16.0	32.0	800	500	300	
M3	16.0	36.0	600	500	300	
N2	18.0	36.0	500	500		
N3	18.0	40.0	500	500		

## Marking



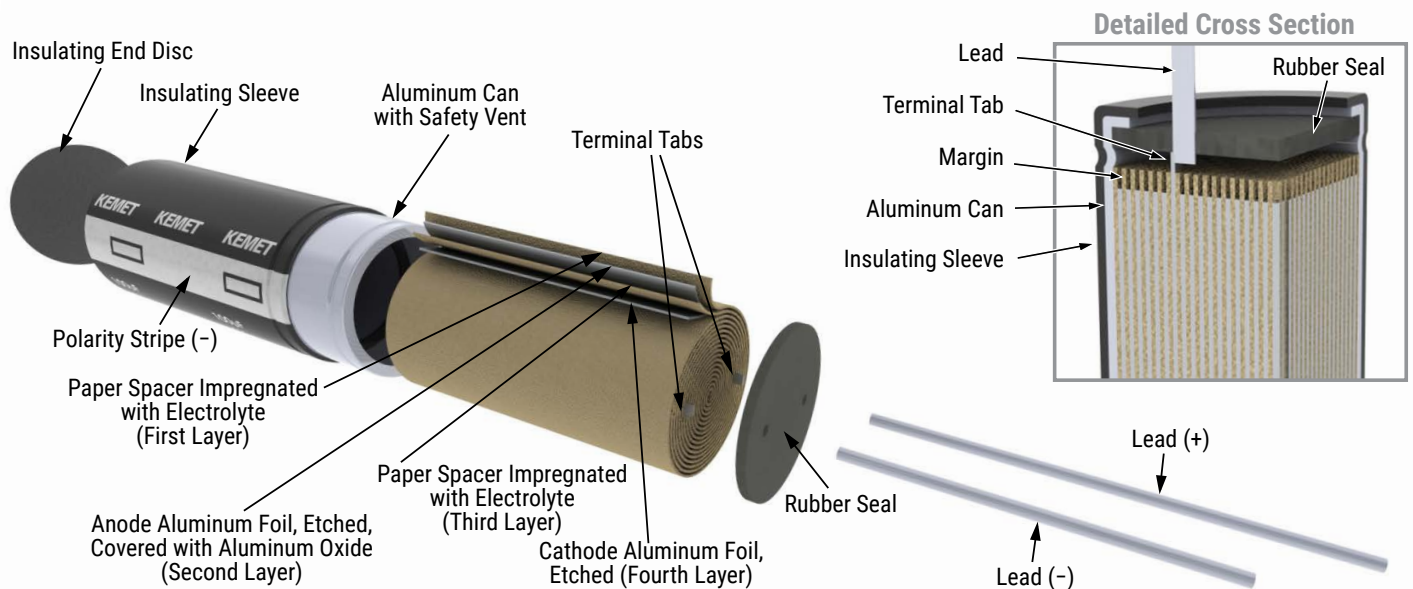
\*Y = Year

Code	01	02	03	04	05	06	07	08	09
Year	2011	2012	2013	2014	2015	2016	2017	2018	2019

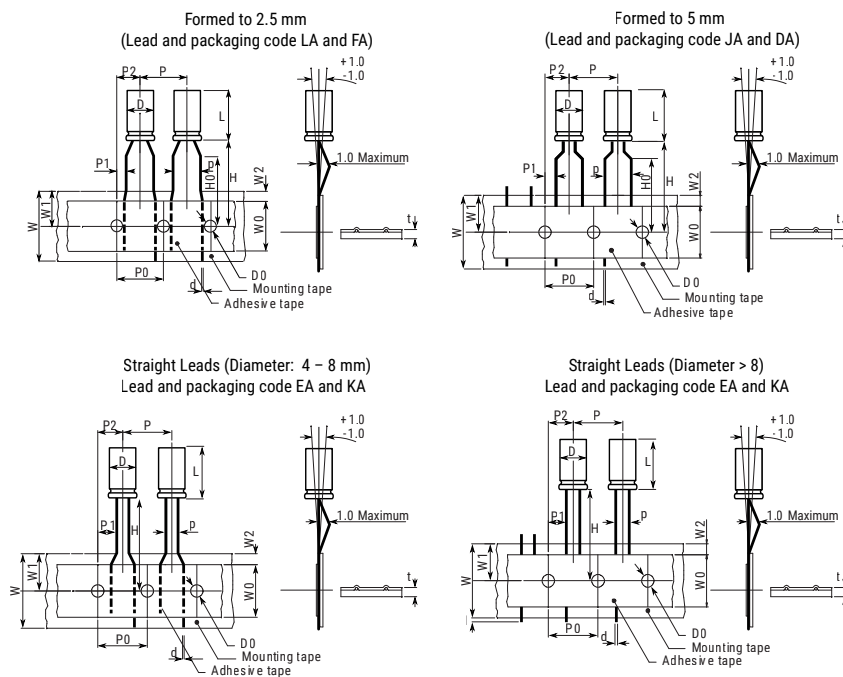
\*M = Month

Code	01	02	03	04	05	06	07	08	09	10	11	12
Month	1	2	3	4	5	6	7	8	9	10	11	12

## Construction

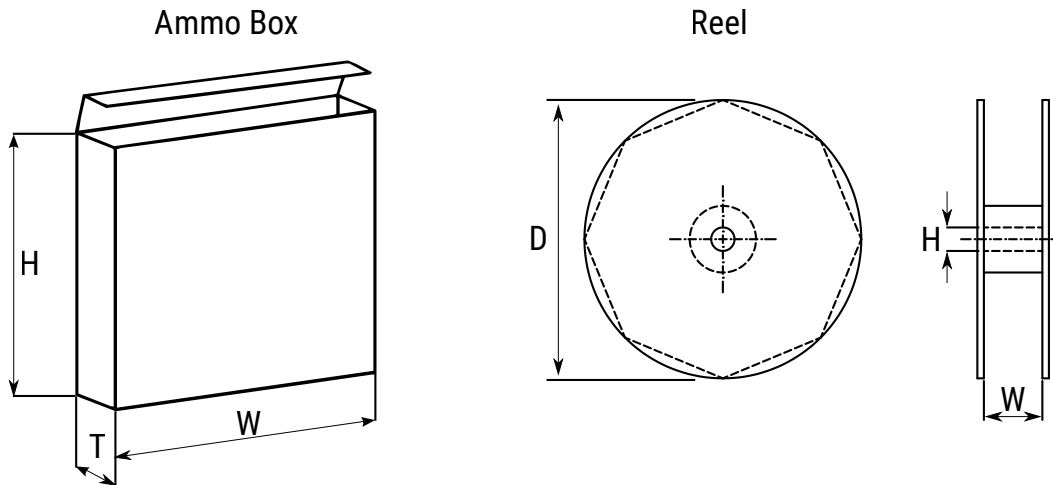


## Taping for Automatic Insertion Machines



Dimensions (mm)	D	L	p	d	P	P0	P1	P2	W	W0	W1	W2	H0	H1	I	D0	t
<b>Tolerance</b>	<b>+0.5</b>		<b>+0.8/-0.2</b>	<b>±0.05</b>	<b>±1.0</b>	<b>±0.3</b>	<b>±0.7</b>	<b>±1.3</b>	<b>+1/-0.5</b>	<b>±0.5</b>	<b>Maximum</b>	<b>Maximum</b>	<b>±0.75</b>	<b>±0.5</b>	<b>Maximum</b>	<b>±0.2</b>	<b>±0.2</b>
Formed to 2.5 mm	4	5 – 7	2.5	0.45	12.7	12.7	5.1	6.35	18	12	11	3	16.0	18.5		4	0.7
	5	≤ 7	2.5	0.45	12.7	12.7	5.1	6.35	18	12	11	3	16.0	18.5		4	0.7
		> 7	2.5	0.50	12.7	12.7	5.1	6.35	18	12	11	3	16.0	18.5		4	0.7
Formed to 5 mm	4	5 – 7	5.0	0.45	12.7	12.7	3.85	6.35	18	12	11	3	16.0	18.5		4	0.7
	5	≤ 7	5.0	0.45	12.7	12.7	3.85	6.35	18	12	11	3	16.0	18.5		4	0.7
		> 7	5.0	0.50	12.7	12.7	3.85	6.35	18	12	11	3	16.0	18.5		4	0.7
	6	≤ 7	5.0	0.50	12.7	12.7	3.85	6.35	18	12	11	3	16.0	18.5		4	0.7
		> 7	5.0	0.50	12.7	12.7	3.85	6.35	18	12	11	3	16.0	18.5		4	0.7
	8	≤ 7	5.0	0.50	12.7	12.7	3.85	6.35	18	12	11	3	16.0	18.5		4	0.7
> 7	5.0	0.50	12.7	12.7	3.85	6.35	18	12	11	3	16.0	18.5		4	0.7		
Straight leads	4	5 – 7	1.5	0.45	12.7	12.7	5.6	6.35	18	12	11	3	18.5			4	0.7
	5	≤ 7	2.0	0.45	12.7	12.7	5.35	6.35	18	12	11	3	18.5			4	0.7
		> 7	2.0	0.50	12.7	12.7	5.35	6.35	18	12	11	3	18.5			4	0.7
	6	≤ 7	2.5	0.50	12.7	12.7	5.1	6.35	18	12	11	3	18.5			4	0.7
		> 7	2.5	0.50	12.7	12.7	5.1	6.35	18	12	11	3	18.5			4	0.7
	8	≤ 7	3.5	0.50	12.7	12.7	4.6	6.35	18	12	11	3	18.5			4	0.7
		> 7	3.5	0.50	12.7	12.7	4.6	6.35	18	12	11	3	18.5			4	0.7
10	≤ 20	5.0	0.60	12.7	12.7	3.85	6.35	18	12	11	3	18.5		1	4	1.0	

## Lead Taping & Packaging



Diameter	Length	Ammo			Reel		
		H	W	T	D	H	W
			Maximum	Maximum	±2	±0.5	+1/-0.1
4	All	230	340	42	350	30	50
5	≤ 7	230	340	42			
5	11	275	340	42			
6.3	≤ 7	235	340	45			
6.3	11	230	340	48			
8	≤ 7	270	340	48			
8	11	235	340	48			
8	>11 ≤ 20	240	340	57			
10	≤ 13	250	340	52			
10	>13 ≤ 20	256	340	57			
10	>20	250	340	60			
12	All	270	340	57			
13	All	285	340	62			
16	All	265	340	62			

## Construction Data

The manufacturing process begins with the anode foil being electrochemically etched to increase the surface area and then “formed” to produce the aluminum oxide layer. Both the anode and cathode foils are then interleaved with absorbent paper and wound into a cylinder. During the winding process, aluminum tabs are attached to each foil to provide the electrical contact.

The deck, complete with terminals, is attached to the tabs and then folded down to rest on top of the winding. The complete winding is impregnated with electrolyte before being housed in a suitable container, usually an aluminum can, and sealed. Throughout the process, all materials inside the housing must be maintained at the highest purity and be compatible with the electrolyte.

Each capacitor is aged and tested before being sleeved and packed. The purpose of aging is to repair any damage in the oxide layer and thus reduce the leakage current to a very low level. Aging is normally carried out at the rated temperature of the capacitor and is accomplished by applying voltage to the device while carefully controlling the supply current. The process may take several hours to complete.

Damage to the oxide layer can occur due to variety of reasons:

- Slitting of the anode foil after forming
- Attaching the tabs to the anode foil
- Minor mechanical damage caused during winding

A sample from each batch is taken by the quality department after completion of the production process. This sample size is controlled by the use of recognized sampling tables defined in BS 6001.

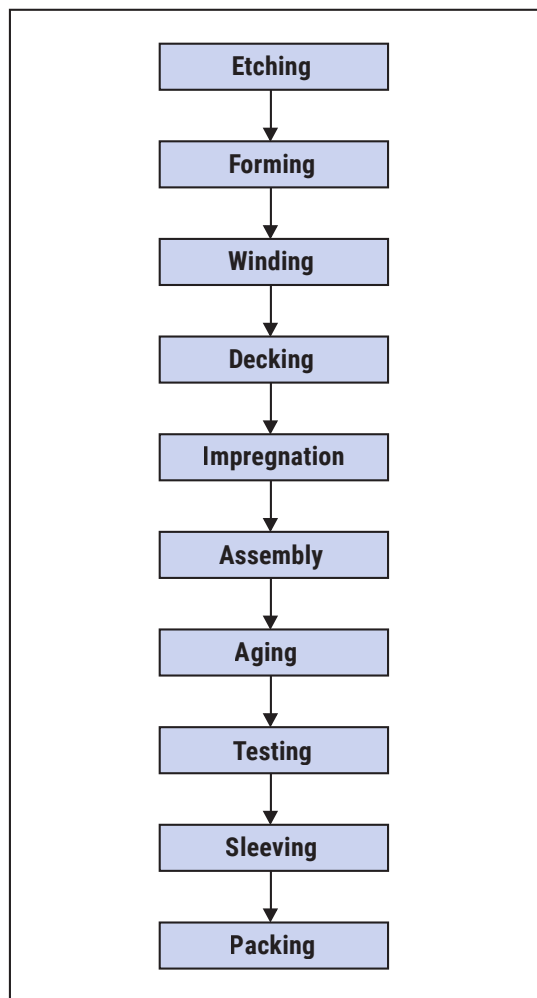
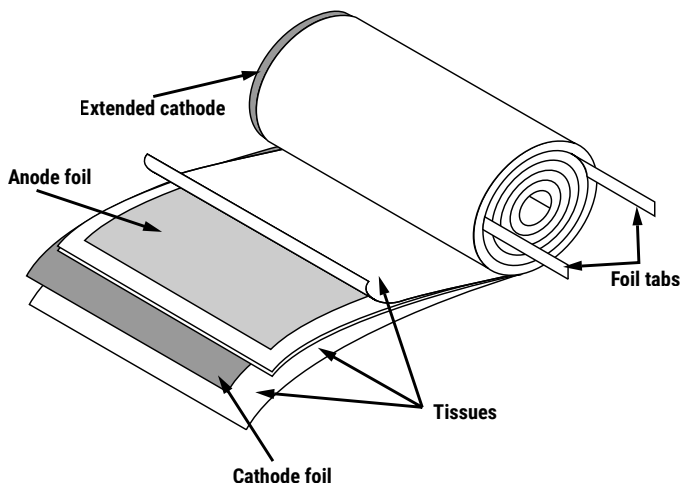
The following tests are applied and may be varied at the request of the customer. In this case the batch, or special procedure, will determine the course of action.

### Electrical:

- Leakage current
- Capacitance
- ESR
- Impedance
- Tan Delta

### Mechanical/Visual:

- Overall dimensions
- Torque test of mounting stud
- Print detail
- Box labels
- Packaging, including packed quantity



## KEMET Electronics Corporation Sales Offices

For a complete list of our global sales offices, please visit [www.kemet.com/sales](http://www.kemet.com/sales).

---

### Disclaimer

All product specifications, statements, information and data (collectively, the "Information") in this datasheet are subject to change. The customer is responsible for checking and verifying the extent to which the Information contained in this publication is applicable to an order at the time the order is placed. All Information given herein is believed to be accurate and reliable, but it is presented without guarantee, warranty, or responsibility of any kind, expressed or implied.

Statements of suitability for certain applications are based on KEMET Electronics Corporation's ("KEMET") knowledge of typical operating conditions for such applications, but are not intended to constitute – and KEMET specifically disclaims – any warranty concerning suitability for a specific customer application or use. The Information is intended for use only by customers who have the requisite experience and capability to determine the correct products for their application. Any technical advice inferred from this Information or otherwise provided by KEMET with reference to the use of KEMET's products is given gratis, and KEMET assumes no obligation or liability for the advice given or results obtained.

Although KEMET designs and manufactures its products to the most stringent quality and safety standards, given the current state of the art, isolated component failures may still occur. Accordingly, customer applications which require a high degree of reliability or safety should employ suitable designs or other safeguards (such as installation of protective circuitry or redundancies) in order to ensure that the failure of an electrical component does not result in a risk of personal injury or property damage.

Although all product-related warnings, cautions and notes must be observed, the customer should not assume that all safety measures are indicated or that other measures may not be required.

*KEMET is a registered trademark of KEMET Electronics Corporation.*