



**User Manual – AS5304/AS5306 –TS\_EK\_AB-2.1**

# **AS5304/AS5306**

**160-step Linear Incremental Position Sensor with Linear analog and ABI output**

## Table of Contents

1	General Description .....	3
2	The AS5304/5306-TS_EK_AB.....	3
2.1	Board description .....	3
2.2	Mounting the AS5304/AS5306-TS_EK_AB .....	4
3	AS5304/AS5306 sensor and board pinout .....	5
4	Operation cases .....	6
5	AS5304 Differences to AS5306 .....	7
6	Kit Content .....	7
7	AS5304/AS5306 adapter board hardware .....	8
7.1	AS5304/AS5306-TS_EK_AB schematics .....	8
7.2	AS5304/AS5306-TS_EK_AB layout .....	8
8	Copyright .....	9
9	Disclaimer .....	9
10	Contact Information.....	9

## Revision History

Revision	Date	Owner	Description
1.0	01.10.2009		Initial revision
1.1	09.07.2013	azen	Updated to new template
1.2	27.10.2016	azen	Added 6. Kit content / change name

## 1 General Description

The AS5304 and AS5306 are single-chip IC's with integrated Hall elements for measuring linear motion using multi-pole magnetic strips.

The AS5304/AS5306 are mounted off-axis underneath a multi-pole magnetized strip and provides a quadrature incremental output with 40 pulses per pole period (resolution of 25µm per step) at speeds of up to 20 meters/sec.

A single index pulse is generated once for every pole pair at the Index output. The pole pair length is 4mm (2mm north/ 2mm south). The chip accepts a magnetic field strength down to 5mT (peak).

Figure 1:  
Linear Position Sensor AS5304 + Multipole Magnetstrip



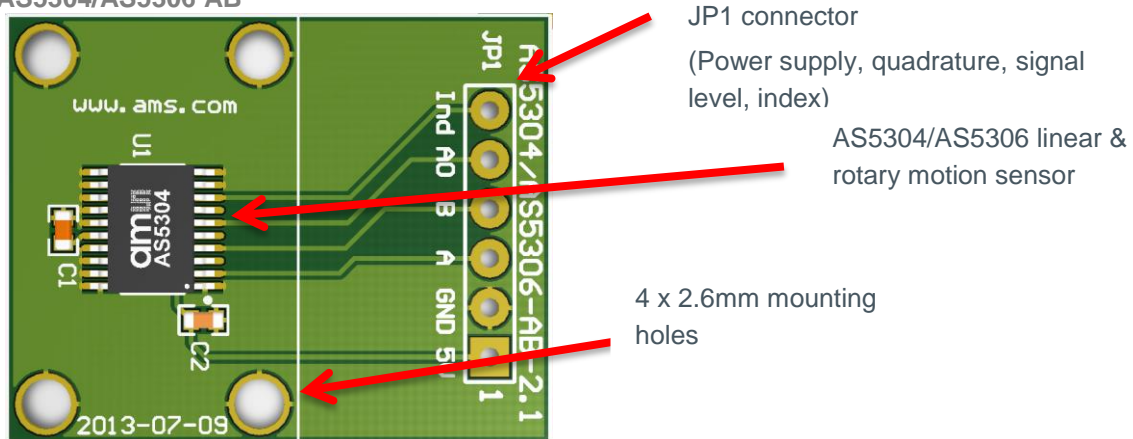
## 2 The AS5304/5306-TS\_EK\_AB

### 2.1 Board description

The AS5304/AS5306-TS\_EK\_AB is a simple circuit allowing, testing and evaluating the AS5304/AS5306 linear encoders quickly without having to build a test fixture or PCB.

The normal operation requires only a 5V power supply, the quadrature AB outputs are attached to a microcontroller of quadrature counter.

Figure 2:  
AS5304/AS5306 AB



JP1 connector  
(Power supply, quadrature, signal level, index)

AS5304/AS5306 linear & rotary motion sensor

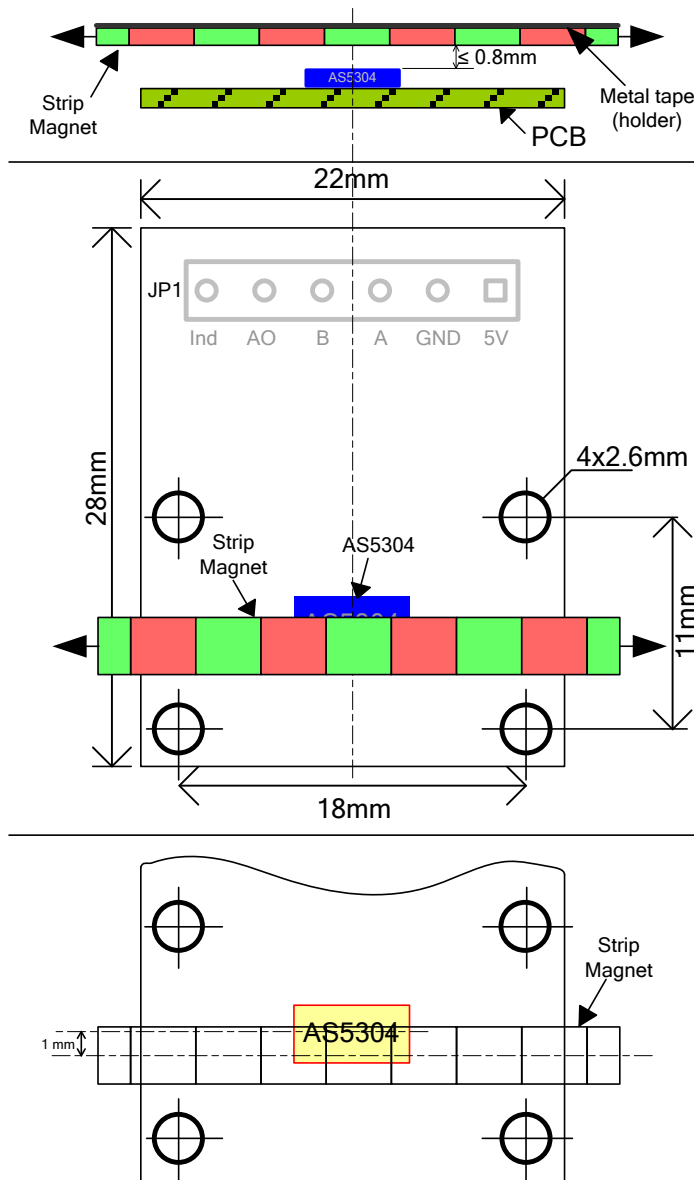
4 x 2.6mm mounting holes

## 2.2 Mounting the AS5304/AS5306-TS\_EK\_AB

A multipole magnetic strip, pole pair length = 4mm must be placed over the AS5304/AS5306 as shown on Figure 3. The middle axis of the strip and of the AS5304/AS5306 ICs is shifted by 1mm. The airgap between the magnet and the AS5304/AS5306 casing should be maintained below 0.8mm. Note that the strip side facing the AS5304/AS5306 ICs the opposite side of the metallic tape.

The magnet holder must not be ferromagnetic. Materials as brass, copper, aluminum, stainless steel are the best choices to make this part.

Figure 3:  
AS5304/AS5306 adapter board mounting and dimension



### 3 AS5304/AS5306 sensor and board pinout

Figure 4:  
AS5304/AS5306 adapter board connectors and encoder pinout

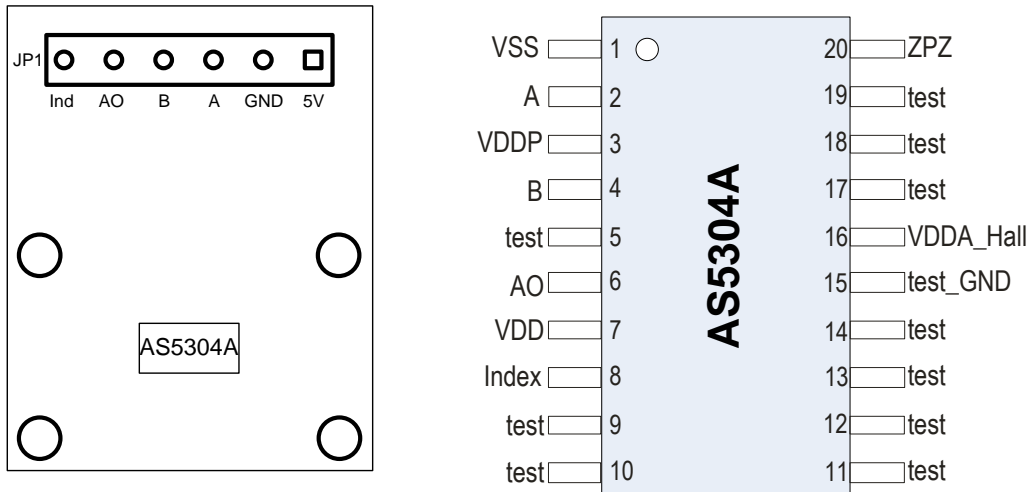


Table 1:  
Pin description

JP1 Board	Pin#	Pin# AS530X	Symbol	Type	Description
1		3, 7, 16	5V	S	Positive supply voltage, 4.5V to 5.5V
2		1	GND	S	Supply ground
3		2	A	DO	Clock Input of Synchronous Serial Interface; Schmitt-Trigger input
4		4	B	DO	Chip Select for serial data transmission, active high; Schmitt-Trigger input, external pull-down resistor (~50kΩ) required in read-only mode
5		6	AO	AO	Data output / command input for digital serial interface
6		8	INDEX	DO	Command input for digital serial interface. Connect to GND if not used.

**Pin types:**

- S: supply pin
- DO: digital output
- AO: analog output

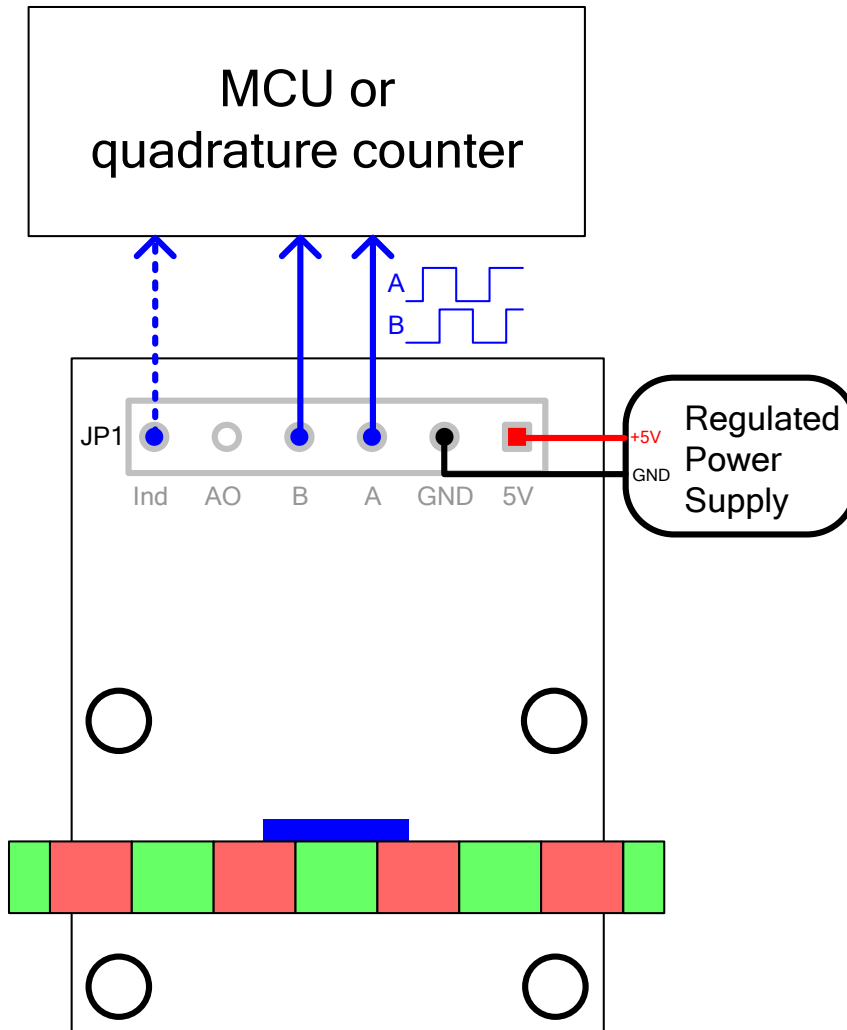
## 4 Operation cases

Connect a regulated power supply on 5V (pin #1) and GND (pin #2).

Connect the A and B outputs to a quadrature counter or microcontroller inputs. The index output is optional, if a pulse is needed at each magnet pole pair transition.

For more information, please refer to the AS5304/AS5306 datasheet.

Figure 5:  
Using the analog output with the adapter board



## 5 AS5304 Differences to AS5306

Table 2:  
Differences AS5304 & AS5306

Building Block	AS5304	AS5306
Ring magnet radius	2mm	1.2mm
Vertical Distance between Magnet and IC	≤0.8mm	≤0.4mm
Resolution	1 LSB = 25µm	1 LSB = 15µm
Magnetic pole pair length	4mm	2.4mm
Magnetic ring diameter = $[pole\ length] * [number\ of\ pole\ pairs] / \pi$	$4 * 22 / 3.14 = 28.01\text{mm}$	$2.4 * 22 / 3.14 = 16.8\text{mm}$
Maximum linear travelling speed = $5000 * [pole\ pair\ length]$	Max. linear travelling speed = $4\text{mm} * 5000\ 1/\text{sec} = 20,000\text{mm}/\text{sec} = 20\text{m}/\text{sec}$	Max. linear travelling speed = $2.4\text{mm} * 5000\ 1/\text{sec} = 12,000\text{mm}/\text{sec} = 12\text{m}/\text{sec}$
Power supply current	min. 25mA ; max. 35mA	min. 20mA ; max. 30mA

## 6 Kit Content

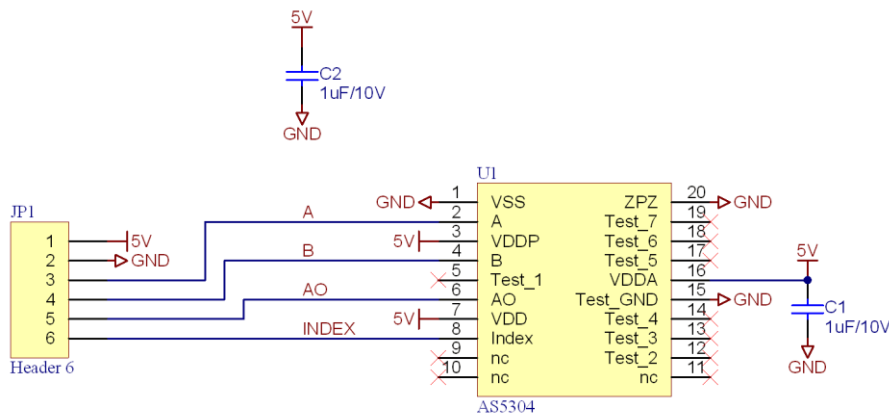
Table 3:  
Kit content of AS5304/AS5306-TS\_EK\_AB

Name	Description	Quantity
AS5304 / AS5306-TS_EK_AB	Linear Incremental Position Sensor Adapterboard	1
AS5000-MS20-50	Multipole Magnet Strip	1

## 7 AS5304/AS5306 adapter board hardware

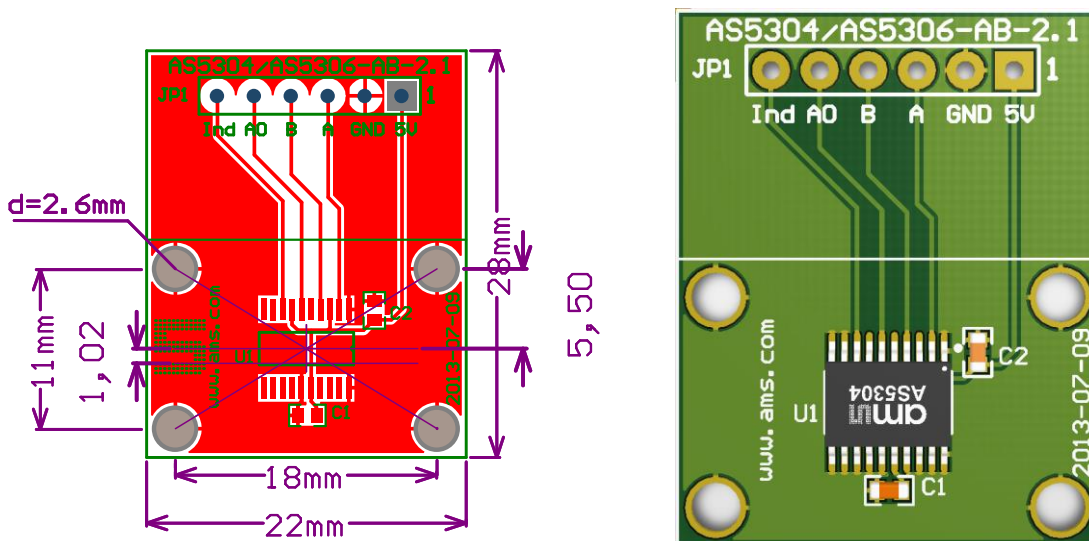
### 7.1 AS5304/AS5306-TS\_EK\_AB schematics

Figure 6:  
AS5304/AS5306-TS\_EK\_AB-2.1 schematics



### 7.2 AS5304/AS5306-TS\_EK\_AB layout

Figure 7:  
AS5304/AS5306-TS\_EK\_AB-2.1 layout





## 8 Copyright

Copyright ams AG, Tobelbader Strasse 30, 8141 Unterpremstätten, Austria-Europe. Trademarks Registered. All rights reserved. The material herein may not be reproduced, adapted, merged, translated, stored, or used without the prior written consent of the copyright owner.

## 9 Disclaimer

Devices sold by ams AG are covered by the warranty and patent indemnification provisions appearing in its Term of Sale. ams AG makes no warranty, express, statutory, implied, or by description regarding the information set forth herein. ams AG reserves the right to change specifications and prices at any time and without notice. Therefore, prior to designing this product into a system, it is necessary to check with ams AG for current information. This product is intended for use in commercial applications. Applications requiring extended temperature range, unusual environmental requirements, or high reliability applications, such as military, medical life-support or life-sustaining equipment are specifically not recommended without additional processing by ams AG for each application. This Product is provided by ams “AS IS” and any express or implied warranties, including, but not limited to the implied warranties of merchantability and fitness for a particular purpose are disclaimed.

ams AG shall not be liable to recipient or any third party for any damages, including but not limited to personal injury, property damage, loss of profits, loss of use, interruption of business or indirect, special, incidental or consequential damages, of any kind, in connection with or arising out of the furnishing, performance or use of the technical data herein. No obligation or liability to recipient or any third party shall arise or flow out of ams AG rendering of technical or other services.

## 10 Contact Information

### Headquarters

ams AG

Tobelbader Strasse 30  
8141 Unterpremstaetten

Austria

T. +43 (0) 3136 500 0

For Sales Offices, Distributors and Representatives, please visit:

**<http://www.ams.com/contact>**

# Mouser Electronics

Authorized Distributor

Click to View Pricing, Inventory, Delivery & Lifecycle Information:

[ams:](#)

[AS5306/B-DB](#) [AS5306A-ATST](#) [AS5304A-ATST](#) [AS5306B-ATST](#) [AS5304B-ATST](#) [AS5304/B-DB](#) [AS5304A-ATSM](#)  
[AS5304B-ATSM](#)