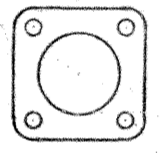
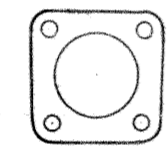
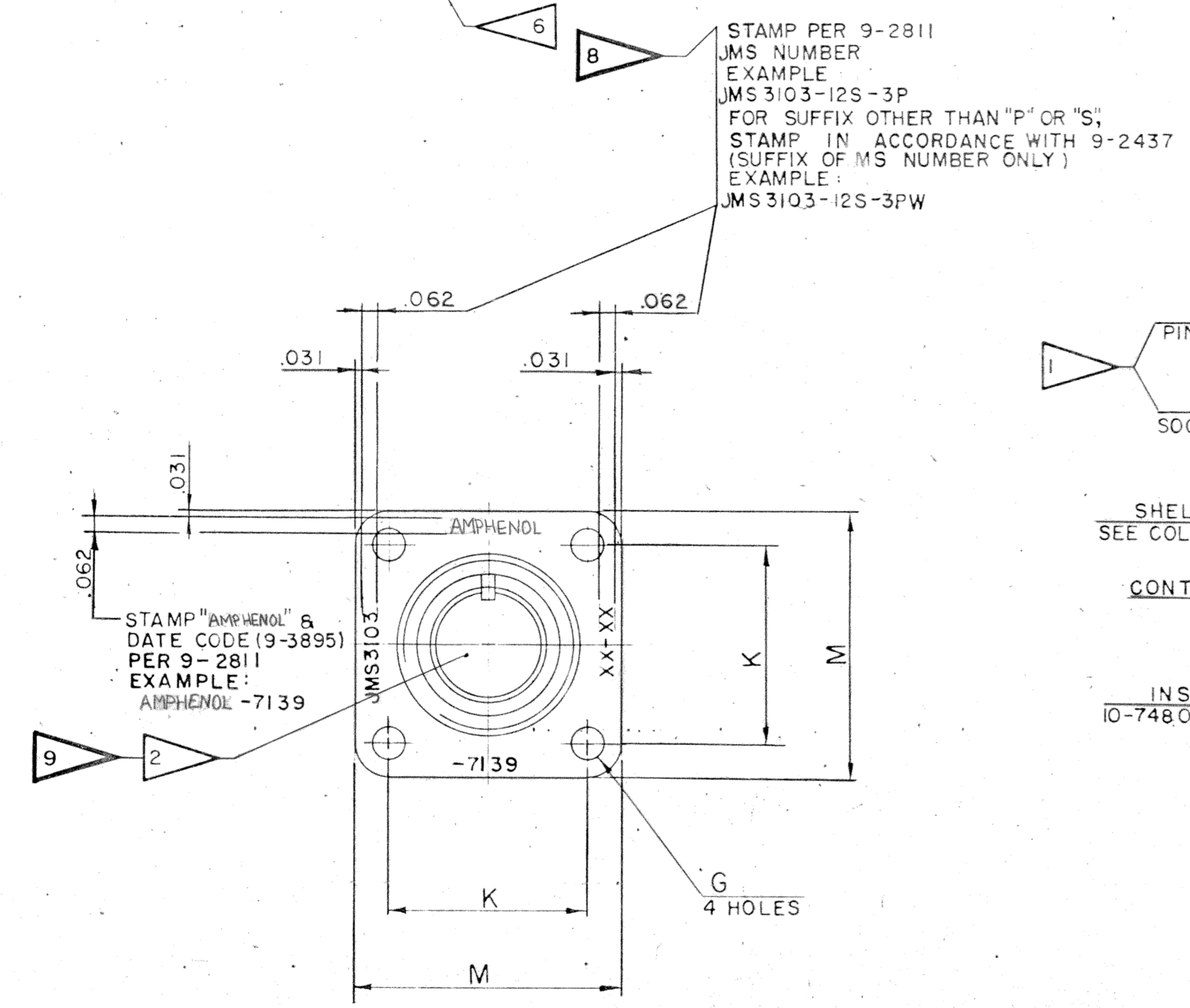


35508-42	WAS	DATE	D'MAN	APPD
A1 53249	ADDED COL N	4-1-59	HUDOCK	
	(MFG); ADD. 9-3895 (PRO SPEC); REV STAMPING NOTE (IPLC)	1372	Randall	Hay
B	(CL II) SEE ECN 91399		amoc	fforcar

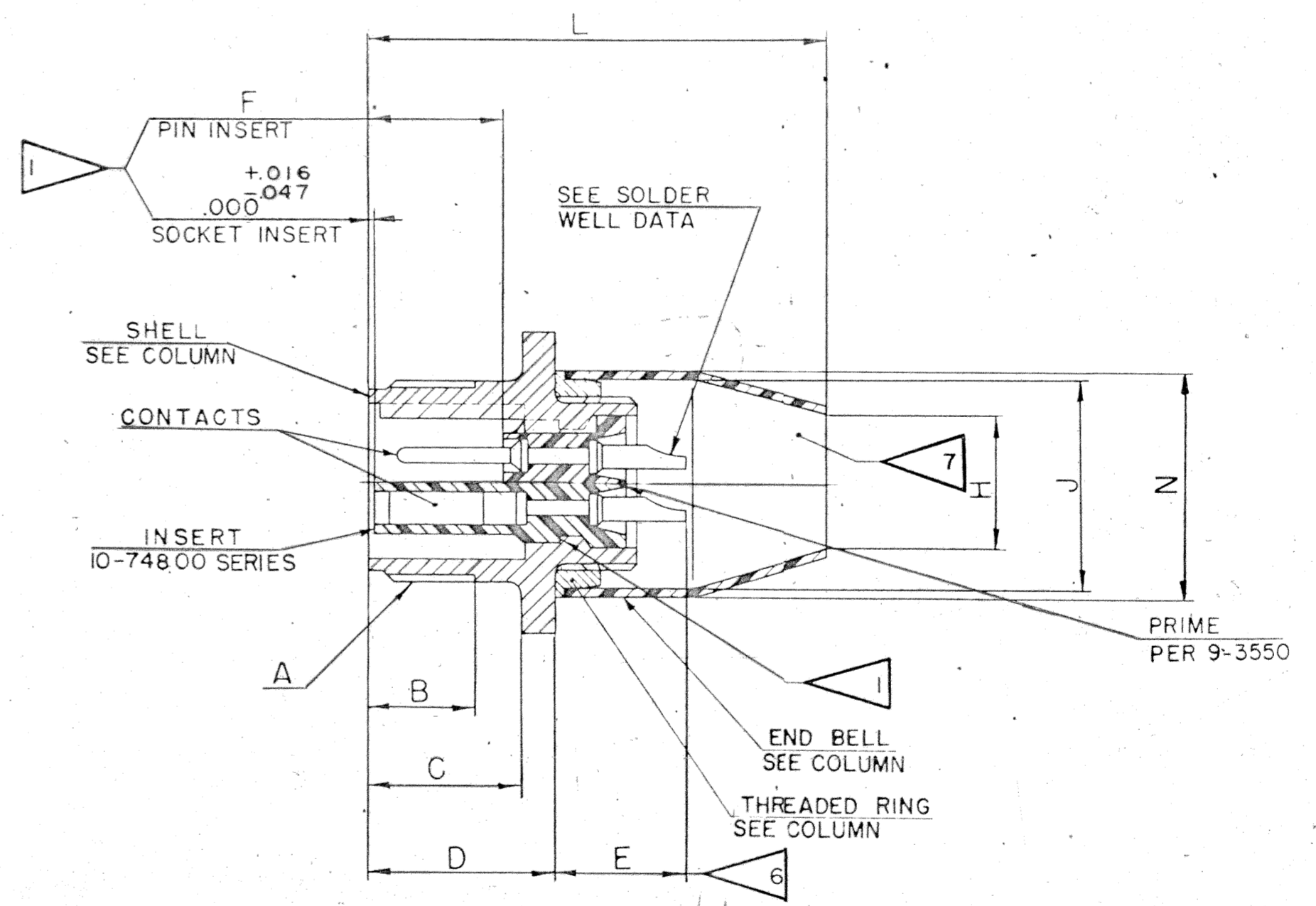
ASSY NO.	MS NO.	SHELL	THREADED RING	END BELL	DIMENSIONS														
					A THREAD (PLATED)		B MIN FULL THD	C	D	E	F	G DIA	H DIA	J DIA	K	L	M	N	
					SIZE CLASS 2A	PITCH DIA													
10-189025-	3103-8S-	10-37260-8	10-183340-83	10-36298-8	.5000-28 UNEF	.4768-.4720	.391	.562	.672	.422	.492	.120	.288	.516	.594	1.375	.875	.578	
10-189026-	-10S-	-10	-103	-10	.6250-24 NEF	.5979-.5927	.391						.359	.609	.719		1.000	.671	
10-189027-	-10SL-	-11	-123	-12	.6250-24 NEF	.5979-.5927	.391						.484	.766	.719		1.000	.828	
10-189028-	-12S-	-12	-123	-12	.7500-20 UNEF	.7175-.7118	.450						.484	.766	.812		1.094	.828	
10-189029-	-12-	-13	-123	-13	.7500-20 UNEF	.7175-.7118	.625	.750	.860	.672	.679		.484	.766	.812	1.780	1.094	.828	
10-189030-	-14S-	-14	-143	-14	.8750-20 UNEF	.8425-.8368	.450	.562	.672	.422	.492		.609	.844	.906	1.375	1.188	.906	
10-189031-	-14-	-15	-143	-15	.8750-20 UNEF	.8425-.8368	.625	.750	.860	.672	.679		.609	.844	.906	1.781	1.188	.906	
10-189032-	-16S-	-16	-163	-16	1.0000-20 UNEF	.9675-.9616	.450	.562	.672	.422	.492		.734	.969	.969	1.375	1.281	1.031	
10-189033-	-16-	-17	-163	-17	1.0000-20 UNEF	.9675-.9616	.625	.750	.860	.672	.679		.734	.969	.969	1.781	1.281	1.031	
10-189034-	-18-	-18	-183	-18	1.1250-18 NEF	1.0889-1.0828			.891	.641			.859	1.094	1.063	1.812	1.375	1.156	
10-189035-	-20-	-20	-203	-20	1.2500-18 NEF	1.2139-1.2075							.984	1.219	1.156		1.500	1.281	
10-189036-	-22-	-22	-223	-22	1.3750-18 NEF	1.3389-1.3325							1.109	1.344	1.250		1.625	1.406	
10-189037-	-24-	-24	-243	-24	1.5000-18 NEF	1.4639-1.4574		.812	.953	.578			1.147	1.234	1.469	1.375		1.750	1.531
10-189038-	-28-	-28	-283	-28	1.7500-18 NS	1.7139-1.7073		.812	.953	.578			1.147	1.427	1.719	1.562		2.000	1.781
10-189039-	-32-	-32	-323	-32	2.0000-18 NS	1.9639-1.9573		.875	1.031	.500			.173	1.708	2.000	1.750	1.828	2.250	2.052
10-189040-	-36-	-36	-363	-36	2.2500-16 UN	2.2094-2.2024							1.895	2.219	1.938		2.500	2.281	
10-189041-	-40-	-40	-403	-40	2.5000-16 UN	2.4594-2.4522							2.130	2.469	2.188		2.750	2.531	

ACCESSORIES
(NOT PART OF STANDARD ASSEMBLY)

	
FLANGE GASKET, PLAIN	FLANGE GASKET, SHIELDING
10-40450-(SHELL SIZE)	10-40450-(SHELL SIZE)



STAMP PER 9-2811
JMS NUMBER
EXAMPLE
JMS 3103-12S-3P
FOR SUFFIX OTHER THAN "P" OR "S",
STAMP IN ACCORDANCE WITH 9-2437
(SUFFIX OF MS NUMBER ONLY)
EXAMPLE:
JMS 3103-12S-3PW



- NOTES: REF SYMBOL ∇
- INSERTS & CONTACTS ARE REMOVABLE.
 - SEE WORK ORDER FOR PERMISSIBLE ADDITIONAL OR ALTERNATE STAMPING.
 - SIZE "O" CONTACTS MUST BE INDIVIDUALLY POTTED. USE VINYL TUBING, OR EQUIVALENT, OF SUITABLE LENGTH AND DIAMETER, EXTENDING INTO MAIN POTTED AREA.
 - INCREASE E DIMENSION BY .312 FOR SIZE "O" CONTACTS ONLY.
 - THE UNITS ILLUSTRATED WILL MEET THE PERFORMANCE, MATERIAL & FINISH REQUIREMENTS OF MS3103 PER MIL-C-5015C.
 - TO COMPLETE ASSEMBLY NUMBER & MS NO., ADD APPLICABLE INSERT ARRANGEMENT SUFFIX TO BASE NUMBERS LISTED ABOVE. TO DETERMINE DESIRED INSERT ARRANGEMENT, SEE PARTS LISTS 10-189025 THRU 10-189041.
 - FOR MATING PLUG ASSEMBLIES, SEE DRAWINGS 10-63008/40 & OTHERS.
 - FOR CONTACT SIZE, SPACING AND SERVICE RATING, SEE DRAWINGS AND10425 THRU AND10436.
 - DIMENSIONS MUST BE MAINTAINED WHEN INSERTS ARE PRESSED FIRMLY AGAINST INDICATED SHOULDER.

10-189025 THRU 10-189041

CONTACT SIZE	0	4	8	12	16	16M
WELL DIA	.469 ^{+0.05} _{-0.03}	.332 ^{+0.05} _{-0.03}	.209 ^{+0.04} _{-0.02}	.116 ^{+0.04} _{-0.02}	.078 ^{+0.04} _{-0.02}	.078 ^{+0.04} _{-0.02}
WELL DEPTH	.625	.500	.500	.250	.188	.188

MATERIAL SPEC.	PROCESS SPEC TEST 9-3106-5 ASSY 9-3103-1 9-3550	SCINTILLA MAGNETO DIVISION BENDIX AVIATION CORPORATION SIDNEY, N.Y. U.S.A.	TOLERANCES UNLESS OTHERWISE SPECIFIED	
HEAT TREAT. SPEC.	9-2437 9-2811 9-3895		NAME CONNECTOR, ELECTRICAL RECEPTACLE, TYPE MS 3103	DECIMALS ± .010
D.MAN. CHECKER KOVARIK		DATE 11-24-58	SCALE NONE	REV. 10-87249/64
APPROVED [Signature]		DATE 12-10-58	SCALE NONE	REV. 10-189025 THRU 10-189041

Mouser Electronics

Authorized Distributor

Click to View Pricing, Inventory, Delivery & Lifecycle Information:

Amphenol:

[MS3103-22-10S](#) [MS3103-22-14S](#) [MS310320-29P](#) [MS3103-24-22P](#) [MS3103-12S-3S](#) [MS3103-14S-7P](#) [MS3103-18-4P](#) [MS3103-28-21P](#) [MS3103-14S-7S](#) [MS3103-20-3S](#) [MS3103-10SL-4P](#) [MS3103-18-9S](#) [MS3103-20-7P](#) [MS3103-14S-2S](#) [MS3103-28-21S](#) [MS3103-14S-2P](#) [MS3103-16-10S](#) [MS3103-16S-8P](#) [MS3103-14S-6P](#) [MS3103-18-9P](#) [MS3103-18-8P](#) [MS3103-16-9S](#) [MS3103-24-10P](#) [MS3103-16S-1P](#) [MS3103-20-4S](#) [MS3103-16S-1S](#) [MS3103-18-1S](#) [MS310332-7P](#) [MS3103-16S-5S](#) [MS3103-16S-4S](#) [MS3103-20-15P](#) [MS3103-28-12S](#) [MS3103-12-5S](#) [MS3103-24-20P](#) [MS3103-16-10P](#) [MS3103-14S-4P](#) [MS3103-14S-5P](#) [MS3103-14S-9S](#) [MS3103-18-10S](#) [MS3103-18-11P](#) [MS3103-20-2P](#) [MS3103-20-7S](#) [MS3103-20-8S](#) [MS3103-22-23S](#) [MS3103-36-6P](#) [MS3103-36-9P](#) [MS3103-28-11S](#) [MS3103-20-16S](#) [MS3103-12-5P](#) [MS3103-14S-9P](#) [MS3103-16-11P](#) [MS3103-16S-6S](#) [MS3103-36-6S](#) [MS3103-36-7P](#) [MS3103-36-7S](#) [MS3103-28-3P](#) [MS3103-32-13S](#) [MS3103-32-7S](#) [MS3103-36-10P](#) [MS3103-36-10S](#) [MS3103-36-4S](#) [MS3103-24-28P](#) [MS3103-28-15P](#) [MS3103-28-17P](#) [MS3103-28-17S](#) [MS3103-28-1S](#) [MS3103-28-20P](#) [MS3103-22-19S](#) [MS3103-22-1S](#) [MS3103-22-2P](#) [MS3103-22-5P](#) [MS3103-24-10S](#) [MS3103-24-27S](#) [MS3103-16S-8S](#) [MS3103-18-1P](#) [MS3103-20-16P](#) [MS3103-20-17P](#) [MS3103-20-24S](#) [MS3103-22-12S](#) [MS3103-20-19P](#) [MS3103-20-22P](#) [MS3103-20-29S](#) [MS3103-14S-6S](#) [MS3103-16-13S](#)