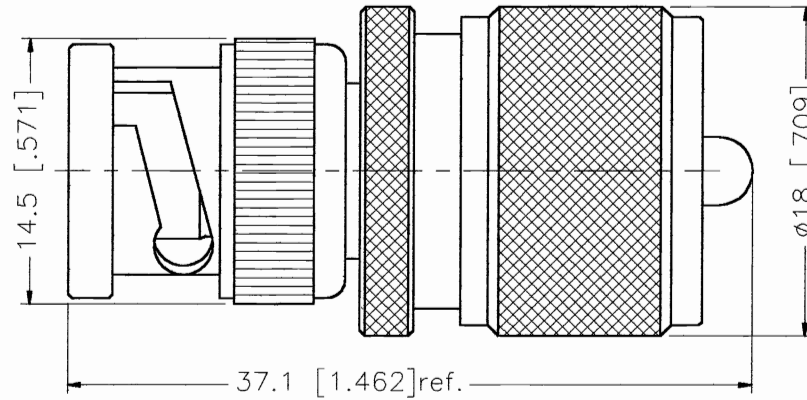



REV.	DATE	DESCRIPTION
NC	06/13/99	INITIAL RELEASE



DESCRIPTION	MATERIAL	FINISH	UNLESS OTHERWISE SPECIFIED DIMENSIONS ARE IN MILLIMETERS	APPROVALS	DATE					
				DRAWN						
1	BODY	BRASS	NICKEL	<small>UNLESS OTHERWISE SPECIFIED DIMENSIONS ARE IN MILLIMETERS</small> <small>DIMENSIONS IN [] ARE IN INCHES FOR CUSTOMER REFERENCE ONLY</small> <small>UNLESS OTHERWISE SPECIFIED TOLERANCES FOR MILLIMETERS ARE:</small> 0.5-6 = ± 0.2 6-30 = ± 0.4 30-120 = ± 0.6 120-315 = ± 1 315-1000 = ± 1.6 1000-2000 = ± 2.4	G.R.S.	06/13/99	TITLE BNC MALE TO UHF MALE ADAPTOR			
2	INSULATOR	DELTRIN	NATURAL		CHECKED		SIZE	FSCM NO.	DWG. NO.	REV.
3	CONTACT PIN	BRASS	GOLD		ISSUED		A	99001	242139.DWG	NC
4							SCALE	NA	PART NO.	242139
5							SHEET			1 OF 1
6										
7										
8			DO NOT SCALE DRAWING							

Mouser Electronics

Authorized Distributor

Click to View Pricing, Inventory, Delivery & Lifecycle Information:

[Amphenol:](#)

[242139](#)