

NOTE:  
 UNIT IS SUPPLIED WITH A 7.00 [177.8] DIA.  
 0-100 GRADUATED DIAL PLATE FOR PANEL MOUNTING.

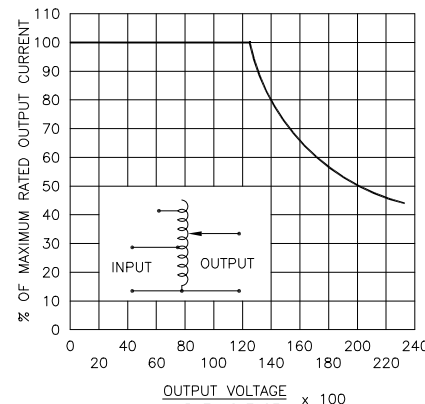
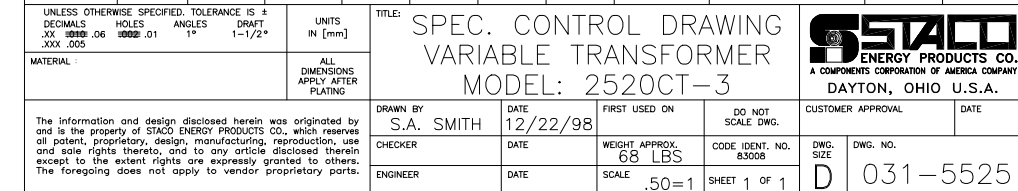
SPECIFICATIONS											
WIRING	INPUT		OUTPUT				SHAFT ROTATION TO INCREASE VOLTAGE	TERMINAL CONNECTIONS			
	VOLTS	HERTZ	VOLTS	CONSTANT CURRENT LOAD	CONSTANT IMPEDANCE LOAD	FOR INCREASING VOLTAGE AS VIEWED FROM BASE END ■		INPUT	JUMPER	OUTPUT	
SINGLE PHASE PARALLEL **	240	50/60	0-240	30	7.20	39	9.30	CW	2-2-2, 4-4-4	—	4-D
			0-280	30	8.40	—	—	CCW	2-2-2, 4-4-4	—	2-D
	120	50/60	0-280	30#	3.60 §	—	—	CW	1-1-1, 4-4-4	—	4-D
			0-280	30#	3.60 §	—	—	CCW	7-7-7, 4-4-4	—	4-D
THREE PHASE WYE π	480	50/60	0-480	10	8.30	13	10.81	CW	2-2-2	4-4-4	3-3-3
			0-560	10	9.70	—	—	CCW	4-4-4	2-2-2	3-3-3
	240	60	0-560	10#	4.20 §	—	—	CW	1-1-1	4-4-4	3-3-3
			0-560	10#	4.20 §	—	—	CCW	5-5-5	2-2-2	3-3-3

UNLESS OTHERWISE SPECIFIED, TOLERANCE IS \*  
 DECIMALS .06 HOLES .01 ANGLES DRAFT 1° UNITS IN [mm]  
 XX .005 1000 .01 1° 1-1/2° ALL DIMENSIONS APPLY AFTER PLATING

TITLE: SPEC. CONTROL DRAWING  
 VARIABLE TRANSFORMER  
 MODEL: 2520CT-3

MATERIAL: \_\_\_\_\_

DRAWN BY: S.A. SMITH DATE: 12/22/98 FIRST USED ON: \_\_\_\_\_ DO NOT SCALE DWG. CUSTOMER APPROVAL: \_\_\_\_\_ DATE: \_\_\_\_\_  
 CHECKER: \_\_\_\_\_ DATE: \_\_\_\_\_ WEIGHT APPROX. 68 LBS. CODE IDENT. NO. 83008 DWG. NO. 031-5525  
 ENGINEER: \_\_\_\_\_ DATE: \_\_\_\_\_ SCALE .50=1 SHEET 1 OF 1



# MAXIMUM OUTPUT CURRENT IN OUTPUT VOLTAGE RANGE FROM 0 TO 25% ABOVE  
 LINE VOLTAGE. AT HIGHER OUTPUT VOLTAGES, THE OUTPUT CURRENT MUST BE  
 REDUCED ACCORDING TO THE DERATING CURVE FIGURE A.

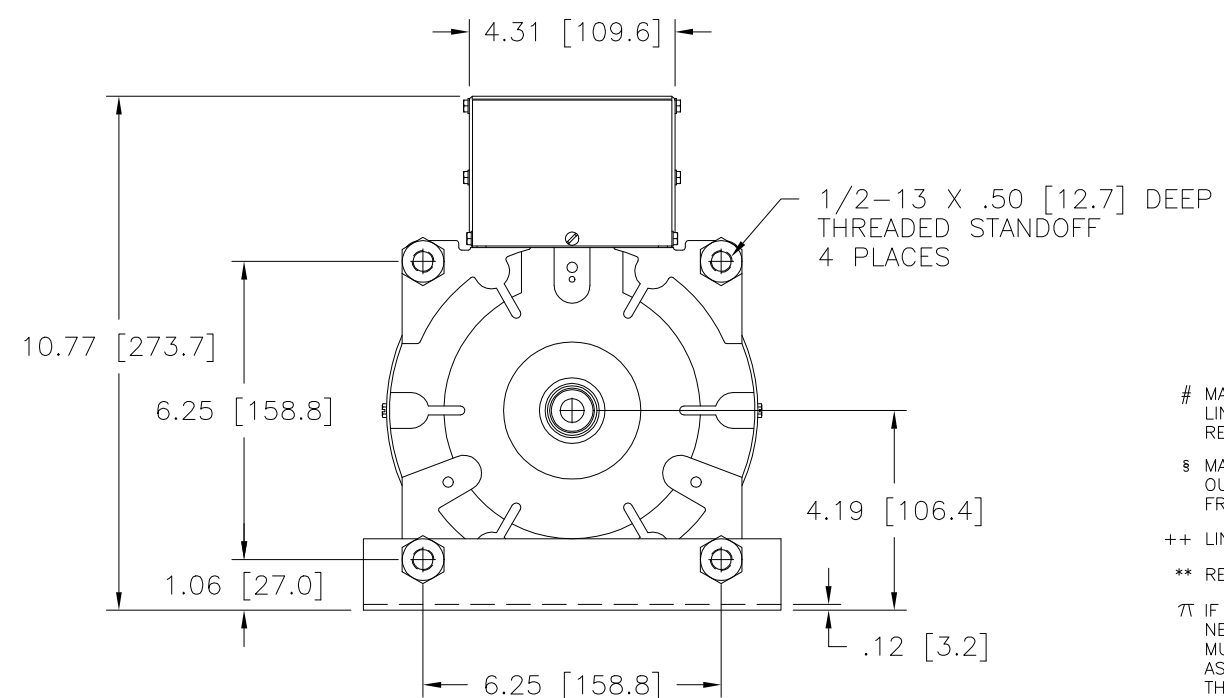
§ MAXIMUM KVA AT MAXIMUM OUTPUT VOLTAGE AND CORRESPONDING DERATED  
 OUTPUT CURRENT. MAXIMUM KVA FOR LOWER VOLTAGES MAY BE CALCULATED  
 FROM DERATING CURVE FIGURE A.

++ LINE TO LINE VOLTAGE.

\*\* REQUIRES THREE 52LAC PARALLELING CHOKES (NOT SUPPLIED).

π IF GANGED UNITS ARE USED IN A SYSTEM THAT ORDINARILY HAS A COMMON  
 NEUTRAL OR GROUND BETWEEN SOURCE AND LOAD, THE NEUTRAL OR GROUND  
 MUST BE CONNECTED TO THE COMMON TERMINALS OF THE VARIABLE TRANSFORMER  
 ASSEMBLY. IF THE SYSTEM HAS NO NEUTRAL, THE LOAD MUST BE BALANCED OR  
 THE TRANSFORMER WILL BE DAMAGED.

■ JUMPER PROVIDED IN STANDARD COMMON POSITION AND SHOULD BE MOVED OR  
 REMOVED AS REQUIRED.



# Mouser Electronics

Authorized Distributor

Click to View Pricing, Inventory, Delivery & Lifecycle Information:

[Staco:](#)

[2520CT-3](#)