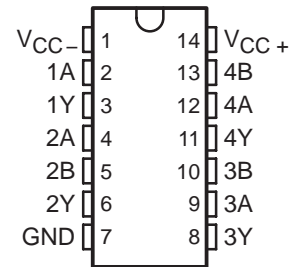


MC1488, SN55188, SN75188 QUADRUPLE LINE DRIVERS

SLLS094C – SEPTEMBER 1983 – REVISED MAY 2004

- Meet or Exceed the Requirements of ANSI TIA/EIA-232-E and ITU Recommendation V.28
- Current-Limited Output: 10 mA Typical
- Power-Off Output Impedance: 300 Ω Minimum
- Slew Rate Control by Load Capacitor
- Flexible Supply-Voltage Range
- Input Compatible With Most TTL Circuits

SN55188 . . . J OR W PACKAGE
SN75188 . . . D, N, OR NS PACKAGE
MC1488 . . . N PACKAGE
(TOP VIEW)

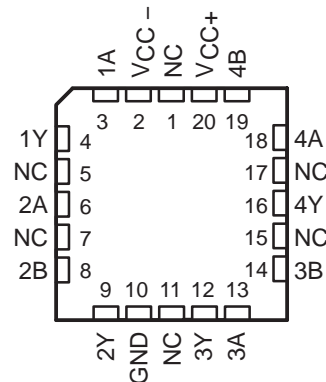


description/ordering information

The MC1488, SN55188, and SN75188 are monolithic quadruple line drivers designed to interface data terminal equipment with data communications equipment in conformance with ANSI TIA/EIA-232-E, using a diode in series with each supply-voltage terminal as shown under typical applications.

The SN55188 is characterized for operation over the full military temperature range of -55°C to 125°C . The MC1488 and SN75188 are characterized for operation from 0°C to 70°C .

SN55188 . . . FK PACKAGE
(TOP VIEW)



NC – No internal connection

ORDERING INFORMATION

| T _A | PACKAGE† | | ORDERABLE PART NUMBER | TOP-SIDE MARKING |
|--|-----------|--------------|-----------------------|------------------|
| 0°C to 70°C | PDIP (N) | Tube of 25 | MC1488N | MC1488N |
| | | Tube of 25 | SN75188N | SN75188N |
| | SOIC (D) | Tube of 50 | SN75188D | SN75188 |
| | | Reel of 2500 | SN75188DR | |
| | SOP (NS) | Reel of 2000 | SN75188NSR | SN75188 |
| -55°C to 125°C | CDIP (J) | Tube of 25 | SN55188J | SN55188J |
| | | | SNJ55188J | SNJ55188J |
| | CFP (W) | Tube of 150 | SNJ55188W | SNJ55188W |
| | LCCC (FK) | Tube of 55 | SNJ55188FK | SNJ55188FK |

† Package drawings, standard packing quantities, thermal data, symbolization, and PCB design guidelines are available at www.ti.com/sc/package.



Please be aware that an important notice concerning availability, standard warranty, and use in critical applications of Texas Instruments semiconductor products and disclaimers thereto appears at the end of this data sheet.

PRODUCTION DATA information is current as of publication date. Products conform to specifications per the terms of Texas Instruments standard warranty. Production processing does not necessarily include testing of all parameters.

 **TEXAS
INSTRUMENTS**

POST OFFICE BOX 655303 • DALLAS, TEXAS 75265

Copyright © 2004, Texas Instruments Incorporated
On products compliant to MIL-PRF-38535, all parameters are tested unless otherwise noted. On all other products, production processing does not necessarily include testing of all parameters.

MC1488, SN55188, SN75188 QUADRUPLE LINE DRIVERS

SLLS094C – SEPTEMBER 1983 – REVISED MAY 2004

FUNCTION TABLE
(drivers 2–4)

| A | B | Y |
|---|---|---|
| H | H | L |
| L | X | H |
| X | L | H |

H = high level, L = low level,
X = irrelevant

logic diagram (positive logic)



Positive logic
 $Y = \overline{A}$ (driver 1)
 $Y = AB$ or $\overline{A} + \overline{B}$ (drivers 2 thru 4)

schematic (each driver)



Resistor values shown are nominal.

absolute maximum ratings over operating free-air temperature (unless otherwise noted)†

| | |
|---|------------------------------|
| Supply voltage, V_{CC+} at (or below) 25°C free-air temperature (see Notes 1 and 2) | 15 V |
| Supply voltage, V_{CC-} at (or below) 25°C free-air temperature (see Notes 1 and 2) | –15 V |
| Input voltage, V_I | –15 V to 7 V |
| Output voltage, V_O | –15 V to 15 V |
| Continuous total power dissipation (see Note 2) | See Dissipation Rating Table |
| Package thermal impedance, θ_{JA} (see Notes 3 and 4): D package | 86°C/W |
| N package | 80°C/W |
| NS package | 76°C/W |
| Operating virtual junction temperature, T_J | 150°C |
| Case temperature for 60 seconds, FK package | 260°C |
| Lead temperature 1,6 mm (1/16 inch) from case for 60 seconds: J or W package | 300°C |
| Storage temperature range, T_{stg} | –65°C to 150°C |

† Stresses beyond those listed under “absolute maximum ratings” may cause permanent damage to the device. These are stress ratings only, and functional operation of the device at these or any other conditions beyond those indicated under “recommended operating conditions” is not implied. Exposure to absolute-maximum-rated conditions for extended periods may affect device reliability.

- NOTES:
1. All voltage values are with respect to the network ground terminal.
 2. For operation above 25°C free-air temperature, refer to the maximum supply voltage curve, Figure 6. In the J package, SN55188 chips are alloy mounted.
 3. Maximum power dissipation is a function of $T_J(\max)$, θ_{JA} , and T_A . The maximum allowable power dissipation at any allowable ambient temperature is $P_D = (T_J(\max) - T_A)/\theta_{JA}$. Selecting the maximum of 150°C can affect reliability.
 4. The package thermal impedance is calculated in accordance with JESD 51-7.

DISSIPATION RATING TABLE

| PACKAGE | $T_A \leq 25^\circ\text{C}$ POWER RATING | DERATING FACTOR ABOVE $T_A = 25^\circ\text{C}$ | $T_A = 70^\circ\text{C}$ POWER RATING | $T_A = 125^\circ\text{C}$ POWER RATING |
|---------|---|---|--|---|
| FK | 1375 mW | 11.0 mW/°C | 880 mW | 275 mW |
| J | 1375 mW | 11.0 mW/°C | 880 mW | 275 mW |
| W | 1000 mW | 8.0 mW/°C | 640 mW | 200 mW |

recommended operating conditions

| | | SN55188 | | | MC1488, SN75188 | | | UNIT |
|-----------|--------------------------------|---------|-----|-----|-----------------|-----|-----|------|
| | | MIN | NOM | MAX | MIN | NOM | MAX | |
| V_{CC+} | Supply voltage | 7.5 | 9 | 15 | 7.5 | 9 | 15 | V |
| V_{CC-} | Supply voltage | –7.5 | –9 | –15 | –7.5 | –9 | –15 | V |
| V_{IH} | High-level input voltage | 1.9 | | | 1.9 | | | V |
| V_{IL} | Low-level input voltage | | | 0.8 | | | 0.8 | V |
| T_A | Operating free-air temperature | –55 | | 125 | 0 | | 70 | °C |

MC1488, SN55188, SN75188 QUADRUPLE LINE DRIVERS

SLLS094C – SEPTEMBER 1983 – REVISED MAY 2004

electrical characteristics over operating free-air temperature range, $V_{CC\pm} = \pm 9\text{ V}$ (unless otherwise noted)

| PARAMETER | TEST CONDITIONS | | SN55188 | | | MC1488, SN75188 | | | UNIT |
|---|---|---|---------|--------|-------|-----------------|-------|--------|---------------|
| | | | MIN | TYP† | MAX | MIN | TYP† | MAX | |
| V_{OH} High-level output voltage | $V_{IL} = 0.8\text{ V}$, $R_L = 3\text{ k}\Omega$ | $V_{CC+} = 9\text{ V}$, $V_{CC-} = -9\text{ V}$ | 6 | 7 | | 6 | 7 | | V |
| | | $V_{CC+} = 13.2\text{ V}$, $V_{CC-} = -13.2\text{ V}$ | 9 | 10.5 | | 9 | 10.5 | | |
| V_{OL} Low-level output voltage | $V_{IH} = 1.9\text{ V}$, $R_L = 3\text{ k}\Omega$ | $V_{CC+} = 9\text{ V}$, $V_{CC-} = -9\text{ V}$ | | -7‡ | -6 | | -7 | -6 | V |
| | | $V_{CC+} = 13.2\text{ V}$, $V_{CC-} = -13.2\text{ V}$ | | -10.5‡ | -9 | | -10.5 | -9 | |
| I_{IH} High-level input current | $V_I = 5\text{ V}$ | | | | 10 | | | 10 | μA |
| I_{IL} Low-level input current | $V_I = 0$ | | | -1 | -1.6 | | -1 | -1.6 | mA |
| $I_{OS(H)}$ Short-circuit output current at high level§ | $V_I = 0.8\text{ V}$ | $V_O = 0$ | -4.6 | -9 | -13.5 | -6 | -9 | -12 | mA |
| $I_{OS(L)}$ Short-circuit output current at low level§ | $V_I = 1.9\text{ V}$ | $V_O = 0$ | 4.6 | 9 | 13.5 | 6 | 9 | 12 | mA |
| r_o Output resistance, power off | $V_{CC+} = 0$, $V_O = -2\text{ V to } 2\text{ V}$ | $V_{CC-} = 0$ | 300 | | | 300 | | | Ω |
| I_{CC+} Supply current from V_{CC+} | $V_{CC+} = 9\text{ V}$, No load | All inputs at 1.9 V | 15 | | 20 | 15 | | 20 | mA |
| | | All inputs at 0.8 V | 4.5 | | 6 | 4.5 | | 6 | |
| | $V_{CC+} = 12\text{ V}$, No load | All inputs at 1.9 V | 19 | | 25 | 19 | | 25 | |
| | | All inputs at 0.8 V | 5.5 | | 7 | 5.5 | | 7 | |
| | $V_{CC+} = 15\text{ V}$, No load, $T_A = 25^\circ\text{C}$ | All inputs at 1.9 V | | | 34 | | | 34 | |
| | | All inputs at 0.8 V | | | 12 | | | 12 | |
| I_{CC-} Supply current from I_{CC-} | $V_{CC-} = -9\text{ V}$, No load | All inputs at 1.9 V | -13 | | -17 | -13 | | -17 | mA |
| | | All inputs at 0.8 V | | | -0.5 | | | -0.015 | |
| | $V_{CC-} = -12\text{ V}$, No load | All inputs at 1.9 V | -18 | | -23 | -18 | | -23 | |
| | | All inputs at 0.8 V | | | -0.5 | | | -0.015 | |
| | $V_{CC-} = -15\text{ V}$, No load, $T_A = 25^\circ\text{C}$ | All inputs at 1.9 V | | | -34 | | | -34 | |
| | | All inputs at 0.8 V | | | -2.5 | | | -2.5 | |
| P_D Total power dissipation | $V_{CC+} = 9\text{ V}$, No load | $V_{CC-} = -9\text{ V}$ | 333 | | | 333 | | | mW |
| | $V_{CC+} = 12\text{ V}$, No load | $V_{CC-} = -12\text{ V}$ | 576 | | | 576 | | | |

† All typical values are at $T_A = 25^\circ\text{C}$.

‡ The algebraic convention, in which the less positive (more negative) limit is designated as minimum, is used in this data sheet for logic voltage levels only, e.g., if -6 V is a maximum, the typical value is a more negative voltage.

§ Not more than one output should be shorted at a time.



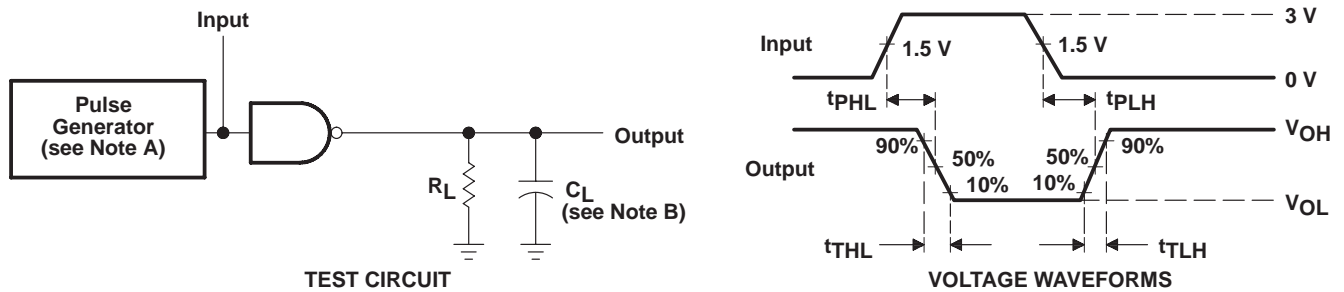
switching characteristics, $V_{CC\pm} = \pm 9\text{ V}$, $T_A = 25^\circ\text{C}$

| PARAMETER | TEST CONDITIONS | MIN | TYP | MAX | UNIT |
|---|--|-----|-----|-----|---------------|
| t_{PLH} Propagation delay time, low- to high-level output | $R_L = 3\text{ k}\Omega$, See Figure 1 $C_L = 15\text{ pF}$ | | 220 | 350 | ns |
| t_{PHL} Propagation delay time, high- to low-level output | | | 100 | 175 | ns |
| t_{TLH} Transition time, low- to high-level output [†] | | | 55 | 100 | ns |
| t_{THL} Transition time, high- to low-level output [†] | | | 45 | 75 | ns |
| t_{TLH} Transition time, low- to high-level output [‡] | $R_L = 3\text{ k}\Omega$ to $7\text{ k}\Omega$, See Figure 1 $C_L = 2500\text{ pF}$ | | 2.5 | | μs |
| t_{THL} Transition time, high- to low-level output [‡] | | | 3.0 | | μs |

[†] Measured between 10% and 90% points of output waveform

[‡] Measured between 3 V and -3 V points on the output waveform (TIA/EIA-232-E conditions)

PARAMETER MEASUREMENT INFORMATION



- NOTES: A. The pulse generator has the following characteristics: $t_w = 0.5\ \mu\text{s}$, $\text{PRR} \leq 1\ \text{MHz}$, $Z_O = 50\ \Omega$.
B. C_L includes probe and jig capacitance.

Figure 1. Test Circuit and Voltage Waveforms

TYPICAL CHARACTERISTICS†

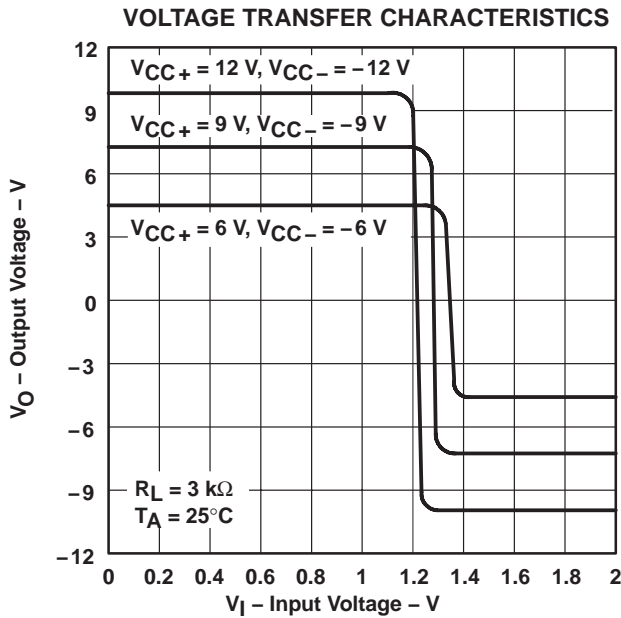


Figure 2



Figure 3



Figure 4



Figure 5

† Data for temperatures below 0°C and above 70°C are applicable to SN55188 circuit only.

THERMAL INFORMATION†

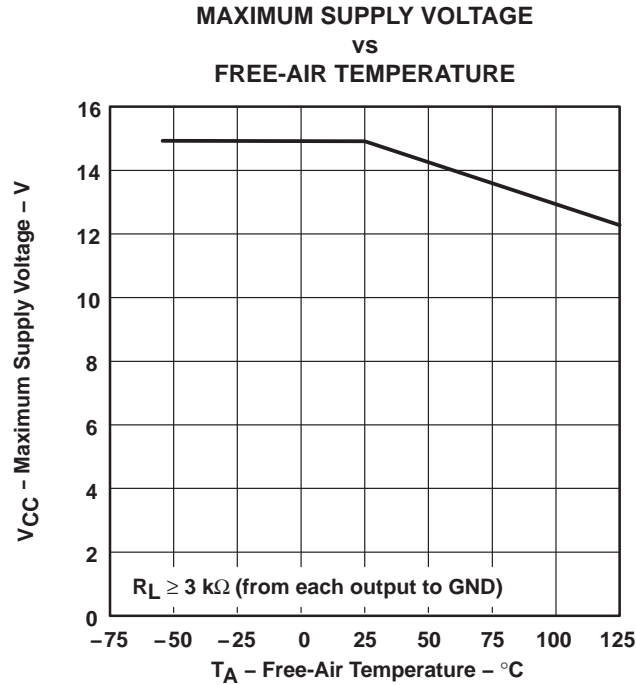


Figure 6

† Data for temperatures below 0°C and above 70°C are applicable to the SN55188 circuit only.

APPLICATION INFORMATION

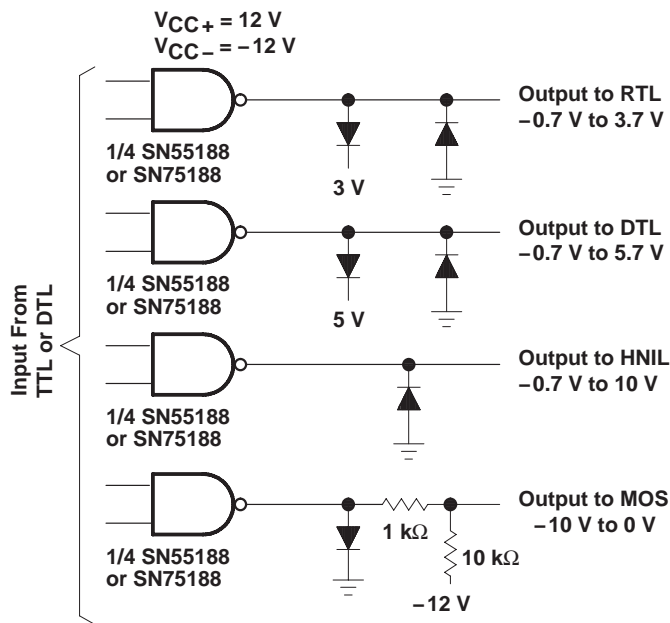
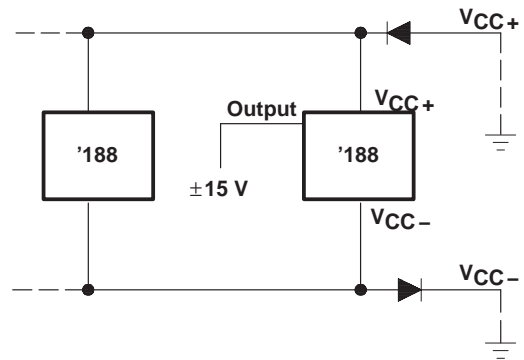


Figure 7. Logic Translator Applications



Diodes placed in series with the V_{CC+} and V_{CC-} leads protect the SN55188/SN75188 in the fault condition in which the device outputs are shorted to $\pm 15 \text{ V}$, and the power supplies are at low voltage and provide low-impedance paths to ground.

Figure 8. Power-Supply Protection to Meet
 Power-Off Fault Conditions of
 ANSI TIA/EIA-232-E

PACKAGING INFORMATION

| Orderable Device | Status (1) | Package Type | Package Drawing | Pins | Package Qty | Eco Plan (2) | Lead/Ball Finish (6) | MSL Peak Temp (3) | Op Temp (°C) | Device Marking (4/5) | Samples |
|------------------|---------------|--------------|-----------------|------|-------------|-------------------------|-------------------------|----------------------|--------------|----------------------------------|-------------------------|
| 5962-86889012A | ACTIVE | LCCC | FK | 20 | 1 | TBD | POST-PLATE | N / A for Pkg Type | -55 to 125 | 5962-86889012A SNJ55 188FK | Samples |
| 5962-8688901CA | ACTIVE | CDIP | J | 14 | 1 | TBD | Call TI | N / A for Pkg Type | -55 to 125 | 5962-8688901CA SNJ55188J | Samples |
| 5962-8688901DA | ACTIVE | CFP | W | 14 | 1 | TBD | Call TI | N / A for Pkg Type | -55 to 125 | 5962-8688901DA SNJ55188W | Samples |
| MC1488N | ACTIVE | PDIP | N | 14 | 25 | Green (RoHS & no Sb/Br) | NIPDAU | N / A for Pkg Type | 0 to 70 | MC1488N | Samples |
| MC1488NE4 | ACTIVE | PDIP | N | 14 | 25 | Green (RoHS & no Sb/Br) | NIPDAU | N / A for Pkg Type | 0 to 70 | MC1488N | Samples |
| SN55188J | ACTIVE | CDIP | J | 14 | 1 | TBD | Call TI | N / A for Pkg Type | -55 to 125 | SN55188J | Samples |
| SN75188D | ACTIVE | SOIC | D | 14 | 50 | Green (RoHS & no Sb/Br) | NIPDAU | Level-1-260C-UNLIM | 0 to 70 | SN75188 | Samples |
| SN75188DE4 | ACTIVE | SOIC | D | 14 | 50 | Green (RoHS & no Sb/Br) | NIPDAU | Level-1-260C-UNLIM | 0 to 70 | SN75188 | Samples |
| SN75188DR | ACTIVE | SOIC | D | 14 | 2500 | Green (RoHS & no Sb/Br) | NIPDAU | Level-1-260C-UNLIM | 0 to 70 | SN75188 | Samples |
| SN75188DRE4 | ACTIVE | SOIC | D | 14 | 2500 | Green (RoHS & no Sb/Br) | NIPDAU | Level-1-260C-UNLIM | 0 to 70 | SN75188 | Samples |
| SN75188N | ACTIVE | PDIP | N | 14 | 25 | Green (RoHS & no Sb/Br) | NIPDAU | N / A for Pkg Type | 0 to 70 | SN75188N | Samples |
| SN75188NSR | ACTIVE | SO | NS | 14 | 2000 | Green (RoHS & no Sb/Br) | NIPDAU | Level-1-260C-UNLIM | 0 to 70 | SN75188 | Samples |
| SNJ55188FK | ACTIVE | LCCC | FK | 20 | 1 | TBD | POST-PLATE | N / A for Pkg Type | -55 to 125 | 5962-86889012A SNJ55 188FK | Samples |
| SNJ55188J | ACTIVE | CDIP | J | 14 | 1 | TBD | Call TI | N / A for Pkg Type | -55 to 125 | 5962-8688901CA SNJ55188J | Samples |
| SNJ55188W | ACTIVE | CFP | W | 14 | 1 | TBD | Call TI | N / A for Pkg Type | -55 to 125 | 5962-8688901DA SNJ55188W | Samples |

(1) The marketing status values are defined as follows:

ACTIVE: Product device recommended for new designs.

LIFEBUY: TI has announced that the device will be discontinued, and a lifetime-buy period is in effect.

NRND: Not recommended for new designs. Device is in production to support existing customers, but TI does not recommend using this part in a new design.

PREVIEW: Device has been announced but is not in production. Samples may or may not be available.

OBSOLETE: TI has discontinued the production of the device.

(2) **RoHS:** TI defines "RoHS" to mean semiconductor products that are compliant with the current EU RoHS requirements for all 10 RoHS substances, including the requirement that RoHS substance do not exceed 0.1% by weight in homogeneous materials. Where designed to be soldered at high temperatures, "RoHS" products are suitable for use in specified lead-free processes. TI may reference these types of products as "Pb-Free".

RoHS Exempt: TI defines "RoHS Exempt" to mean products that contain lead but are compliant with EU RoHS pursuant to a specific EU RoHS exemption.

Green: TI defines "Green" to mean the content of Chlorine (Cl) and Bromine (Br) based flame retardants meet JS709B low halogen requirements of ≤ 1000 ppm threshold. Antimony trioxide based flame retardants must also meet the ≤ 1000 ppm threshold requirement.

(3) MSL, Peak Temp. - The Moisture Sensitivity Level rating according to the JEDEC industry standard classifications, and peak solder temperature.

(4) There may be additional marking, which relates to the logo, the lot trace code information, or the environmental category on the device.

(5) Multiple Device Markings will be inside parentheses. Only one Device Marking contained in parentheses and separated by a "~" will appear on a device. If a line is indented then it is a continuation of the previous line and the two combined represent the entire Device Marking for that device.

(6) Lead/Ball Finish - Orderable Devices may have multiple material finish options. Finish options are separated by a vertical ruled line. Lead/Ball Finish values may wrap to two lines if the finish value exceeds the maximum column width.

Important Information and Disclaimer: The information provided on this page represents TI's knowledge and belief as of the date that it is provided. TI bases its knowledge and belief on information provided by third parties, and makes no representation or warranty as to the accuracy of such information. Efforts are underway to better integrate information from third parties. TI has taken and continues to take reasonable steps to provide representative and accurate information but may not have conducted destructive testing or chemical analysis on incoming materials and chemicals. TI and TI suppliers consider certain information to be proprietary, and thus CAS numbers and other limited information may not be available for release.

In no event shall TI's liability arising out of such information exceed the total purchase price of the TI part(s) at issue in this document sold by TI to Customer on an annual basis.

OTHER QUALIFIED VERSIONS OF SN55188, SN75188 :

● Catalog: [SN75188](#)

● Military: [SN55188](#)

NOTE: Qualified Version Definitions:

- Catalog - TI's standard catalog product
- Military - QML certified for Military and Defense Applications

TAPE AND REEL INFORMATION

REEL DIMENSIONS



TAPE DIMENSIONS



| | |
|----|---|
| A0 | Dimension designed to accommodate the component width |
| B0 | Dimension designed to accommodate the component length |
| K0 | Dimension designed to accommodate the component thickness |
| W | Overall width of the carrier tape |
| P1 | Pitch between successive cavity centers |

TAPE AND REEL INFORMATION

*All dimensions are nominal

| Device | Package Type | Package Drawing | Pins | SPQ | Reel Diameter (mm) | Reel Width W1 (mm) | A0 (mm) | B0 (mm) | K0 (mm) | P1 (mm) | W (mm) | Pin1 Quadrant |
|------------|--------------|-----------------|------|------|--------------------|--------------------|---------|---------|---------|---------|--------|---------------|
| SN75188DR | SOIC | D | 14 | 2500 | 330.0 | 16.4 | 6.5 | 9.0 | 2.1 | 8.0 | 16.0 | Q1 |
| SN75188NSR | SO | NS | 14 | 2000 | 330.0 | 16.4 | 8.2 | 10.5 | 2.5 | 12.0 | 16.0 | Q1 |

TAPE AND REEL BOX DIMENSIONS


*All dimensions are nominal

| Device | Package Type | Package Drawing | Pins | SPQ | Length (mm) | Width (mm) | Height (mm) |
|------------|--------------|-----------------|------|------|-------------|------------|-------------|
| SN75188DR | SOIC | D | 14 | 2500 | 367.0 | 367.0 | 38.0 |
| SN75188NSR | SO | NS | 14 | 2000 | 367.0 | 367.0 | 38.0 |

FK (S-CQCC-N**)

LEADLESS CERAMIC CHIP CARRIER

28 TERMINAL SHOWN



| NO. OF TERMINALS ** | A | | B | |
|---------------------|------------------|------------------|------------------|------------------|
| | MIN | MAX | MIN | MAX |
| 20 | 0.342 (8,69) | 0.358 (9,09) | 0.307 (7,80) | 0.358 (9,09) |
| 28 | 0.442 (11,23) | 0.458 (11,63) | 0.406 (10,31) | 0.458 (11,63) |
| 44 | 0.640 (16,26) | 0.660 (16,76) | 0.495 (12,58) | 0.560 (14,22) |
| 52 | 0.740 (18,78) | 0.761 (19,32) | 0.495 (12,58) | 0.560 (14,22) |
| 68 | 0.938 (23,83) | 0.962 (24,43) | 0.850 (21,6) | 0.858 (21,8) |
| 84 | 1.141 (28,99) | 1.165 (29,59) | 1.047 (26,6) | 1.063 (27,0) |



4040140/D 01/11

- NOTES:
- All linear dimensions are in inches (millimeters).
 - This drawing is subject to change without notice.
 - This package can be hermetically sealed with a metal lid.
 - Falls within JEDEC MS-004

MECHANICAL DATA

NS (R-PDSO-G**)

PLASTIC SMALL-OUTLINE PACKAGE

14-PINS SHOWN



- NOTES:
- A. All linear dimensions are in millimeters.
 - B. This drawing is subject to change without notice.
 - C. Body dimensions do not include mold flash or protrusion, not to exceed 0,15.

W (R-GDFP-F14)

CERAMIC DUAL FLATPACK



- NOTES:
- A. All linear dimensions are in inches (millimeters).
 - B. This drawing is subject to change without notice.
 - C. This package can be hermetically sealed with a ceramic lid using glass frit.
 - D. Index point is provided on cap for terminal identification only.
 - E. Falls within MIL STD 1835 GDFP1-F14

J 14

GENERIC PACKAGE VIEW
CDIP - 5.08 mm max height
CERAMIC DUAL IN LINE PACKAGE



Images above are just a representation of the package family, actual package may vary.
Refer to the product data sheet for package details.

4040083-5/G

J0014A



PACKAGE OUTLINE

CDIP - 5.08 mm max height

CERAMIC DUAL IN LINE PACKAGE



4214771/A 05/2017

NOTES:

1. All controlling linear dimensions are in inches. Dimensions in brackets are in millimeters. Any dimension in brackets or parenthesis are for reference only. Dimensioning and tolerancing per ASME Y14.5M.
2. This drawing is subject to change without notice.
3. This package is hermetically sealed with a ceramic lid using glass frit.
4. Index point is provided on cap for terminal identification only and on press ceramic glass frit seal only.
5. Falls within MIL-STD-1835 and GDIP1-T14.

EXAMPLE BOARD LAYOUT

J0014A

CDIP - 5.08 mm max height

CERAMIC DUAL IN LINE PACKAGE



LAND PATTERN EXAMPLE
NON-SOLDER MASK DEFINED
SCALE: 5X



4214771/A 05/2017

D (R-PDSO-G14)

PLASTIC SMALL OUTLINE



- NOTES:
- A. All linear dimensions are in inches (millimeters).
 - B. This drawing is subject to change without notice.
 -  Body length does not include mold flash, protrusions, or gate burrs. Mold flash, protrusions, or gate burrs shall not exceed 0.006 (0,15) each side.
 -  Body width does not include interlead flash. Interlead flash shall not exceed 0.017 (0,43) each side.
 - E. Reference JEDEC MS-012 variation AB.

D (R-PDSO-G14)

PLASTIC SMALL OUTLINE



4211283-3/E 08/12

- NOTES:
- All linear dimensions are in millimeters.
 - This drawing is subject to change without notice.
 - Publication IPC-7351 is recommended for alternate designs.
 - Laser cutting apertures with trapezoidal walls and also rounding corners will offer better paste release. Customers should contact their board assembly site for stencil design recommendations. Refer to IPC-7525 for other stencil recommendations.
 - Customers should contact their board fabrication site for solder mask tolerances between and around signal pads.

N (R-PDIP-T**)

PLASTIC DUAL-IN-LINE PACKAGE

16 PINS SHOWN



- NOTES:
- A. All linear dimensions are in inches (millimeters).
 - B. This drawing is subject to change without notice.
 - $\triangle C$ Falls within JEDEC MS-001, except 18 and 20 pin minimum body length (Dim A).
 - $\triangle D$ The 20 pin end lead shoulder width is a vendor option, either half or full width.

4040049/E 12/2002

IMPORTANT NOTICE AND DISCLAIMER

TI PROVIDES TECHNICAL AND RELIABILITY DATA (INCLUDING DATASHEETS), DESIGN RESOURCES (INCLUDING REFERENCE DESIGNS), APPLICATION OR OTHER DESIGN ADVICE, WEB TOOLS, SAFETY INFORMATION, AND OTHER RESOURCES "AS IS" AND WITH ALL FAULTS, AND DISCLAIMS ALL WARRANTIES, EXPRESS AND IMPLIED, INCLUDING WITHOUT LIMITATION ANY IMPLIED WARRANTIES OF MERCHANTABILITY, FITNESS FOR A PARTICULAR PURPOSE OR NON-INFRINGEMENT OF THIRD PARTY INTELLECTUAL PROPERTY RIGHTS.

These resources are intended for skilled developers designing with TI products. You are solely responsible for (1) selecting the appropriate TI products for your application, (2) designing, validating and testing your application, and (3) ensuring your application meets applicable standards, and any other safety, security, or other requirements. These resources are subject to change without notice. TI grants you permission to use these resources only for development of an application that uses the TI products described in the resource. Other reproduction and display of these resources is prohibited. No license is granted to any other TI intellectual property right or to any third party intellectual property right. TI disclaims responsibility for, and you will fully indemnify TI and its representatives against, any claims, damages, costs, losses, and liabilities arising out of your use of these resources.

TI's products are provided subject to TI's Terms of Sale (www.ti.com/legal/termsofsale.html) or other applicable terms available either on ti.com or provided in conjunction with such TI products. TI's provision of these resources does not expand or otherwise alter TI's applicable warranties or warranty disclaimers for TI products.

Mailing Address: Texas Instruments, Post Office Box 655303, Dallas, Texas 75265
Copyright © 2020, Texas Instruments Incorporated