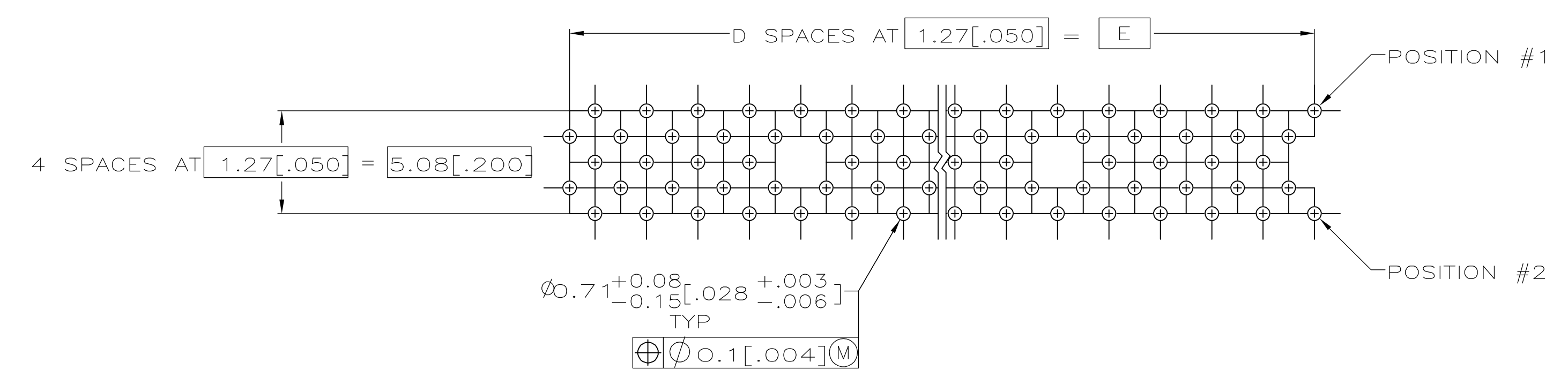
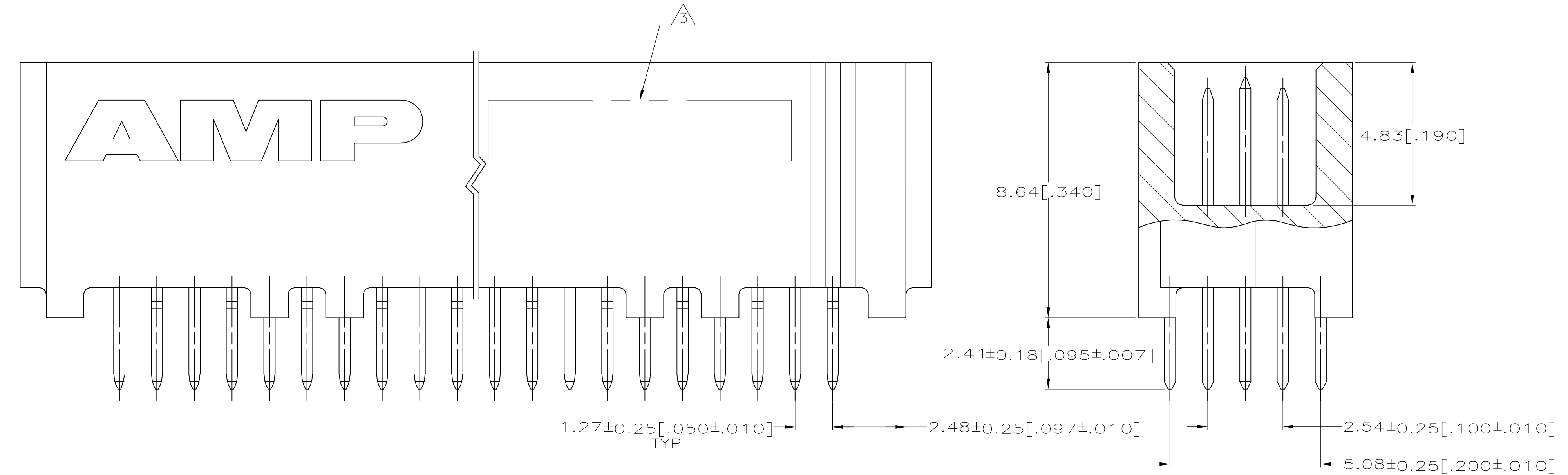


- 1 HOUSING: HIGH TEMPERATURE THERMOPLASTIC, COLOR NATURAL.
 PIN CONTACTS: PHOSPHOR BRONZE.
 GROUND BUSSES: PHOSPHOR BRONZE.
- 2 PIN CONTACTS: 0.00076[.000030] MIN GOLD IN CONTACT AREA,
 0.00254-0.00762[.000100-.000300] TIN-LEAD ON SOLDER TAIL,
 ALL OVER 0.00127-0.00254[.000050-.000100] NICKEL ON ENTIRE CONTACT.
- GROUND BUSSES: 0.00076[.000030] MIN GOLD IN CONTACT AREA,
 0.00254-0.00762[.000100-.000300] TIN-LEAD ON SOLDER TAIL,
 ALL OVER 0.00127-0.00254[.000050-.000100] NICKEL ON ENTIRE BUS.
- 3 DATE CODE MARKED IN AREA INDICATED.



RECOMMENDED PC BOARD HOLE LAYOUT
 (VIEWED FROM CONNECTOR SIDE)
 SCALE 5:1

	151.13[5.950]	119	153.62[6.048]	156.08[6.145]	157.84[6.214]	240	1-536280-1
OBSOLETE	138.43[5.450]	109	140.92[5.548]	143.38[5.645]	145.14[5.714]	220	1-536280-0
OBSOLETE	125.73[4.950]	99	128.22[5.048]	130.68[5.145]	132.44[5.214]	200	536280-9
	113.03[4.450]	89	115.52[4.548]	117.98[4.645]	119.74[4.714]	180	536280-8
	100.33[3.950]	79	102.82[4.048]	105.28[4.145]	107.04[4.214]	160	536280-7
OBSOLETE	87.63[3.450]	69	90.12[3.548]	92.58[3.645]	94.34[3.714]	140	536280-6
	74.93[2.950]	59	77.42[3.048]	79.88[3.145]	81.64[3.214]	120	536280-5
	62.23[2.450]	49	64.72[2.548]	67.18[2.645]	68.94[2.714]	100	536280-4
	49.53[1.950]	39	52.02[2.048]	54.48[2.145]	56.24[2.214]	80	536280-3
OBSOLETE	36.83[1.450]	29	39.32[1.548]	41.78[1.645]	43.54[1.714]	60	536280-2
	24.13[.950]	19	26.62[1.048]	29.08[1.145]	30.84[1.214]	40	536280-1
	E	D	C	B	A	NO OF POS	PART NUMBER

THIS DRAWING IS A CONTROLLED DOCUMENT.

DIMENSIONS:	TOLERANCES UNLESS OTHERWISE SPECIFIED:	DWN	J.GERACE	3-27-92		Tyco Electronics Corporation
mm [INCHES]	0. PLC ± - 1. PLC ± - 2. PLC ± - 3. PLC ± 0.13 [.005] 4. PLC ± - ANGLES ± - FINISH	CHK	J.GERACE	3-27-92		Harrisburg, PA 17105-3608
MATERIAL		APPRO	J.GERACE	3-27-92	NAME	PLUG ASSEMBLY, 10.92[.430] STACK, 2.41[.095] SOLDER TAIL, BOARD TO BOARD, MICRO-STRIP
		PRODUCT SPEC	108-1272		SIZE	A1
		APPLICATION SPEC	114-11005		CAGE CODE	00779
		WEIGHT	-		DRAWING NO	536280
		CUSTOMER DRAWING			SCALE	10:1

SCALE 10:1 SHEET 1 OF 1 REV J

Mouser Electronics

Authorized Distributor

Click to View Pricing, Inventory, Delivery & Lifecycle Information:

[TE Connectivity:](#)

[536280-3](#)