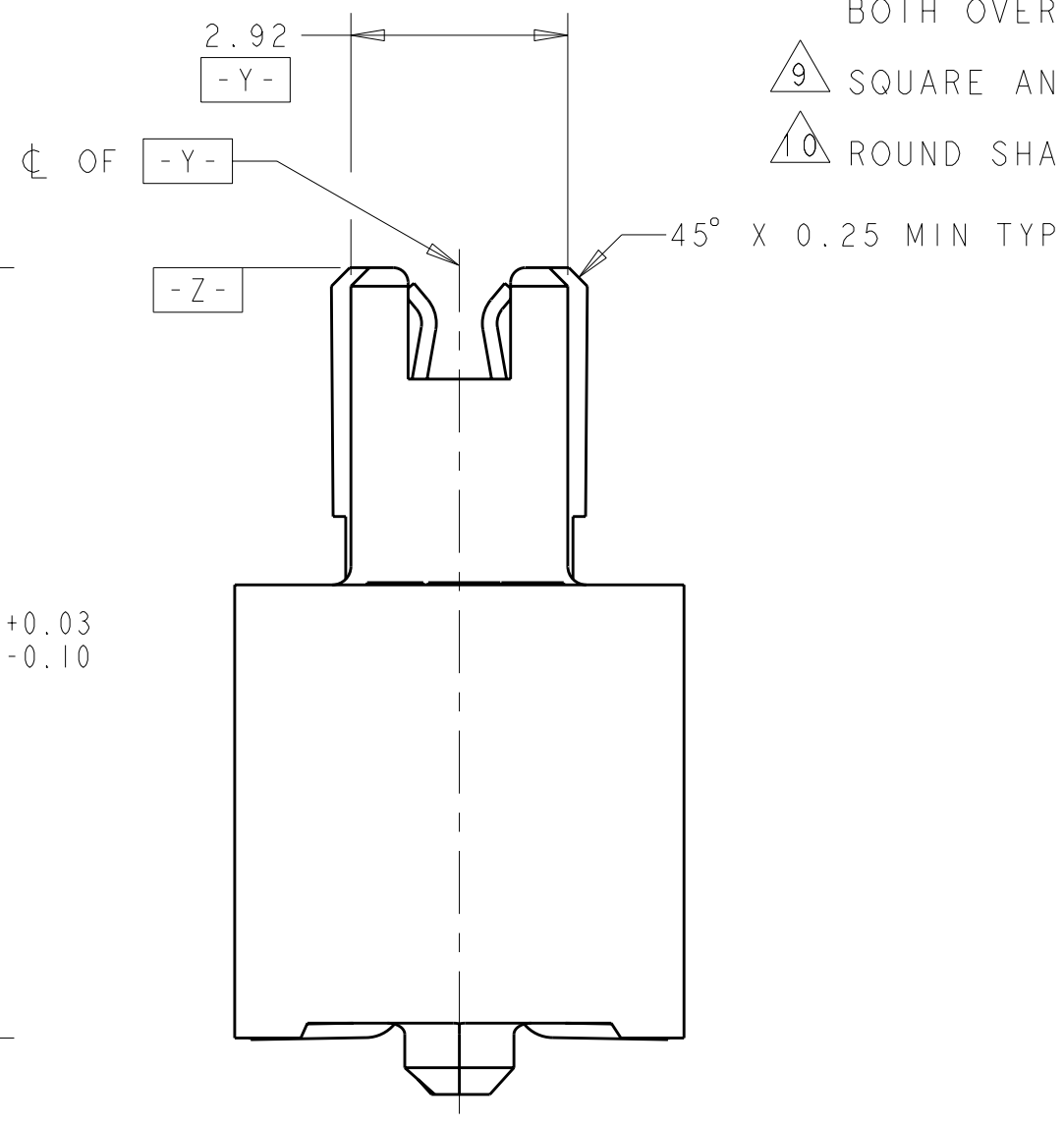
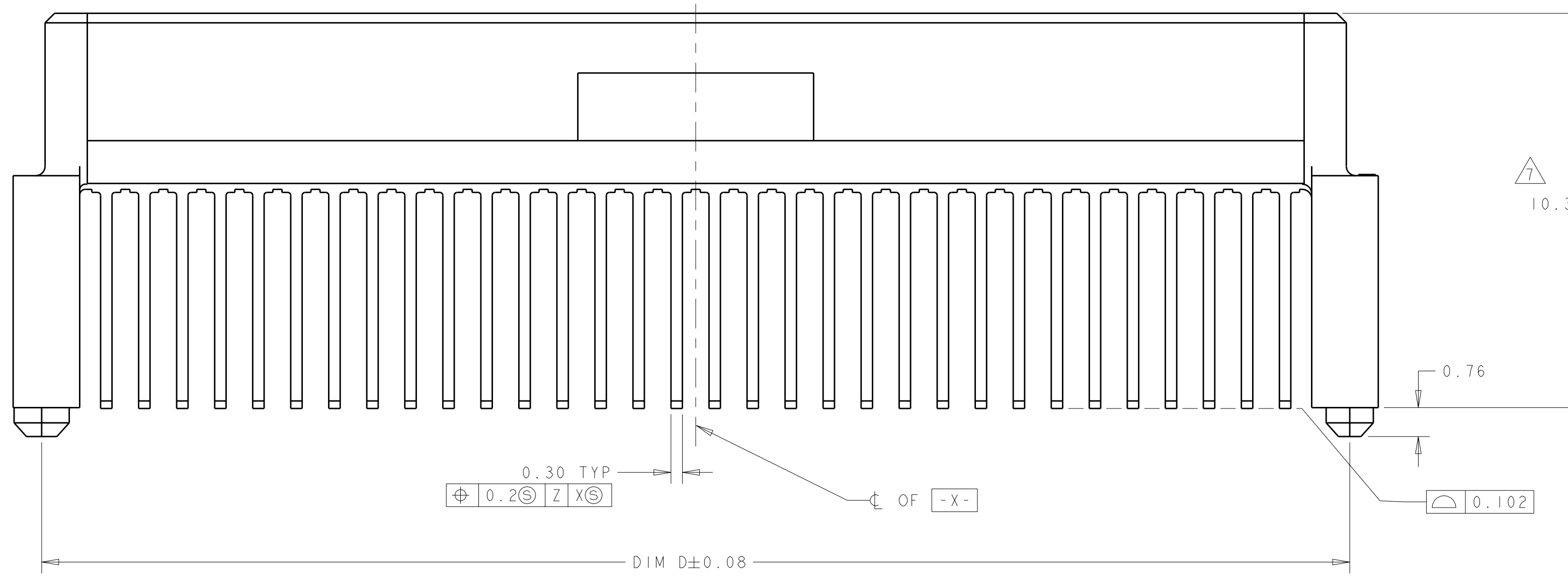
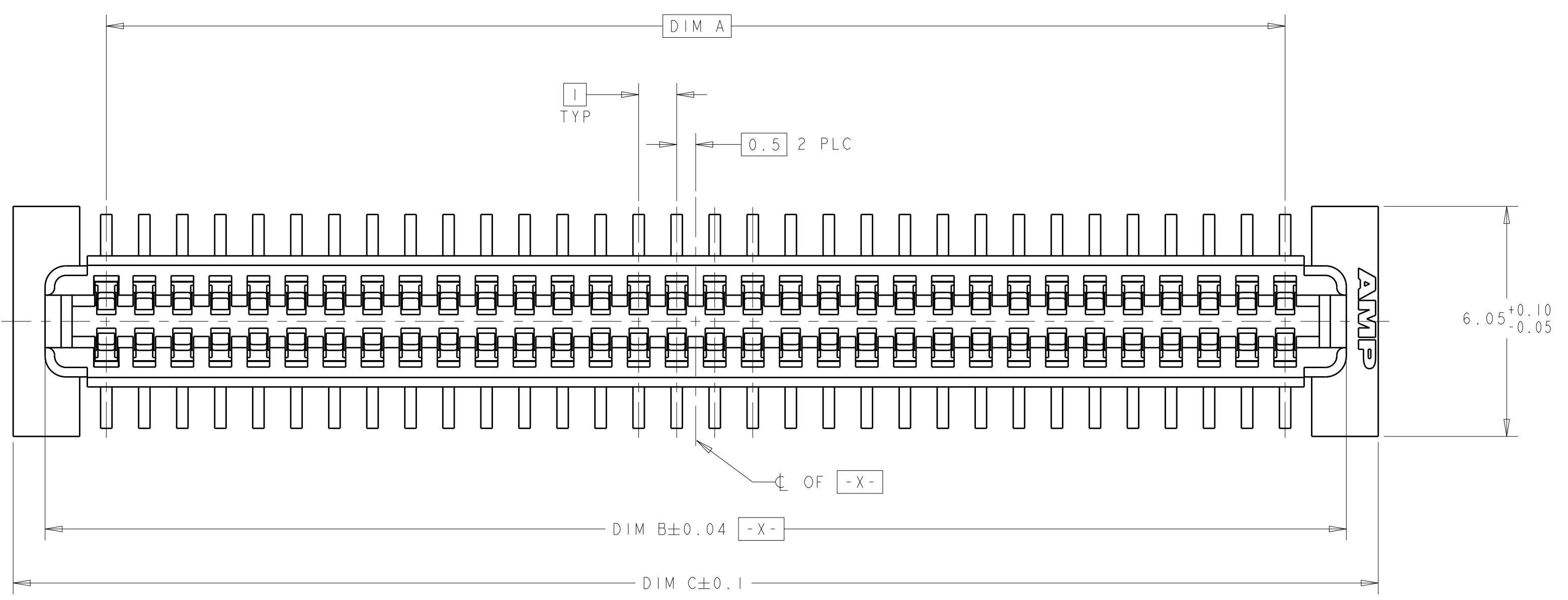
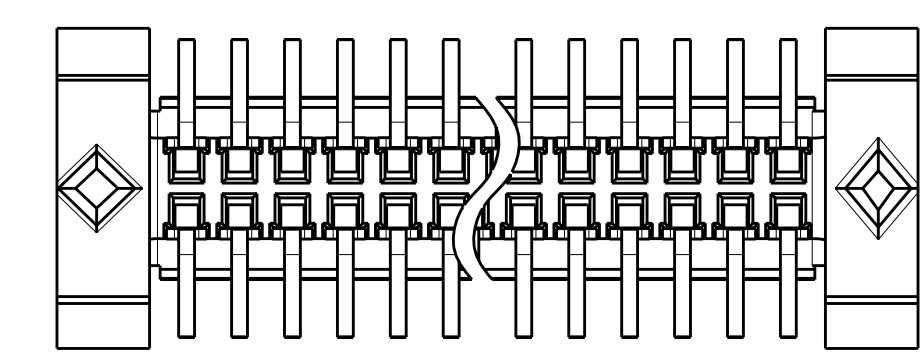


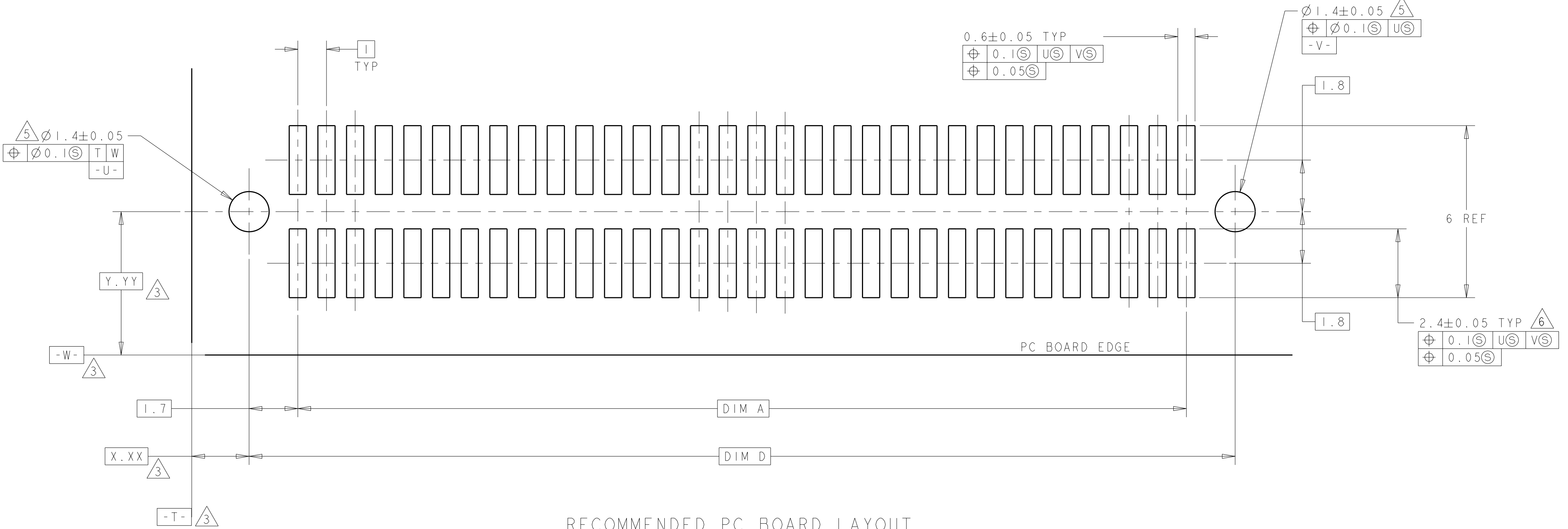
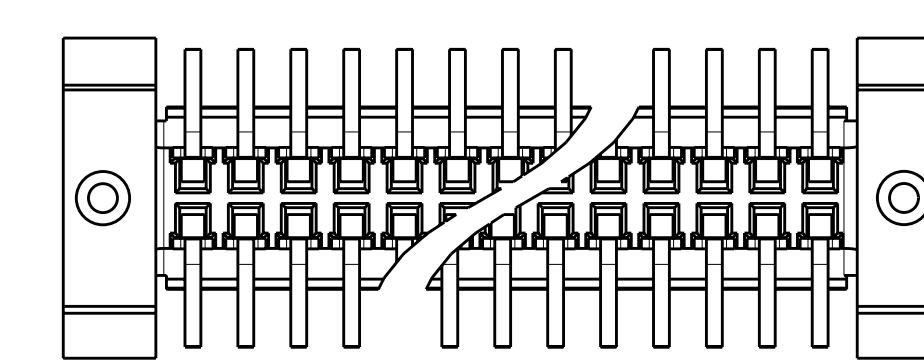
| LOC | DIST | REV | DATE | BY | CHK | APPD |
|-----|------|-----|-----------|----|-----|------|
| AD | 00 | A2 | 11MAR2011 | RK | HMR | |



9 STYLE A POSTS



10 STYLE B POSTS



RECOMMENDED PC BOARD LAYOUT

- 1 HOUSING MATERIAL: HIGH TEMPERATURE THERMOPLASTIC, COLOR; BLACK. CONTACT MATERIAL: PHOSPHOR BRONZE.
- 2 CONTACT FINISH: NICKEL UNDERPLATE ALL OVER, MATING SURFACES PLATED TO MEET PL1 PERFORMANCE REQUIREMENTS OF INDUSTRY SPECIFICATION EIA-700AAAB. SOLDER TAILS PLATED TIN.
- 3 DATUM LOCATIONS AND BASIC DIMENSIONS TO BE ESTABLISHED BY THE CUSTOMER. CONSULT AMP ENGINEERING WHEN PLACING MULTIPLE CONNECTORS ON A PC BOARD.
- 4 PACKAGED IN TAPE ON REELS PER EIA-481.
- 5 1.5 MIN DIAMETER HOLE SHOULD BE USED IF USING POST STYLE "A" AND PLACING ON PCB WITH VACUUM PLACEMENT EQUIPMENT.
- 6 SHORTER SOLDER LANDS MAY BE USED PER EIA 700AAAB, HOWEVER 2.4 LENGTH ASSURES OPTIMUM SOLDER FILLET REGARDLESS OF MANUFACTURER OF CONNECTOR.
- 7 REFERRED TO AS DIM H = 10.3±0.1 IN EIA 700AAAB SPECIFICATION.
- 8 CONTACT FINISH: 0.00381 MINIMUM MATTE TIN PER ASTM B 545 ON SOLDER AREA, 0.00127 MINIMUM GOLD PER ASTM B 488 ON MATING AREA, BOTH OVER 0.00127 MINIMUM NICKEL PER SAE-AMS-QQ-N-290 ON ENTIRE CONTACT.
- 9 SQUARE AND DIAMOND SHAPED POSTS
- 10 ROUND SHAPED POSTS

| POST STYLE | FINISH | DIM D | DIM C | DIM B | DIM A | STACK HGTS | POS | PART NO |
|------------|--------|-------|-------|-------|-------|------------|-----|-------------|
| 10 | 8 | 44.4 | 45.9 | 44.22 | 41 | 14, 15 | 84 | 3-5120524-2 |
| 10 | 8 | 34.4 | 35.9 | 34.22 | 31 | 14, 15 | 64 | 3-5120524-1 |
| 10 | 2 | 44.4 | 45.9 | 44.22 | 41 | 14, 15 | 84 | 2-5120524-2 |
| 10 | 2 | 34.4 | 35.9 | 34.22 | 31 | 14, 15 | 64 | 2-5120524-1 |
| 9 | 8 | 44.4 | 45.9 | 44.22 | 41 | 14, 15 | 84 | 1-5120524-2 |
| 9 | 8 | 34.4 | 35.9 | 34.22 | 31 | 14, 15 | 64 | 1-5120524-1 |
| 9 | 2 | 44.4 | 45.9 | 44.22 | 41 | 14, 15 | 84 | 5120524-2 |
| 9 | 2 | 34.4 | 35.9 | 34.22 | 31 | 14, 15 | 64 | 5120524-1 |

THIS DRAWING IS A CONTROLLED DOCUMENT.

AWN: B. CARBO 29SEP04
 CHK: R. WERTZ 29SEP04
 APPD: R. WERTZ 29SEP04

TE Connectivity

RCPT ASSY, 1.0mm FH (IEEE1386) CONNECTOR

SIZE: CAGE CODE: DRAWING NO: 114-25045
 WEIGHT: 100779
 SCALE: 10:1 SHEET 1 OF 1 REV A2

Mouser Electronics

Authorized Distributor

Click to View Pricing, Inventory, Delivery & Lifecycle Information:

[TE Connectivity:](#)

[2-5120524-2](#)