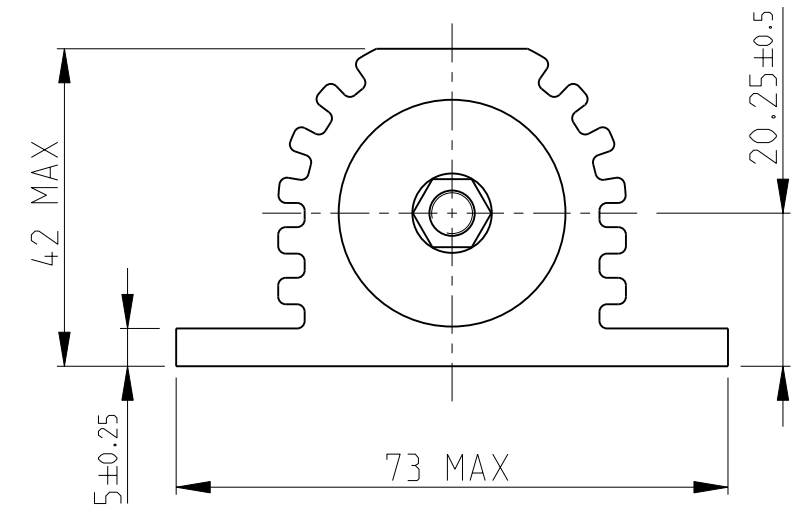
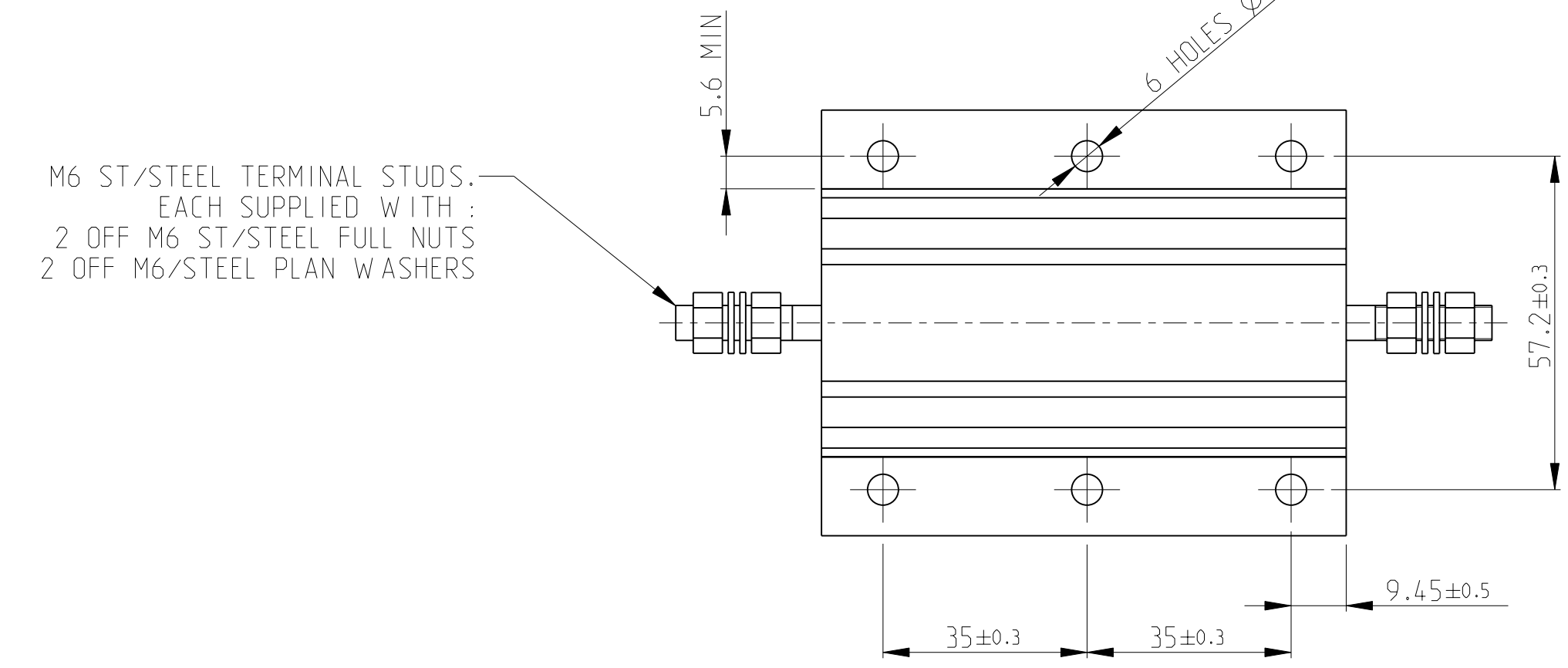


THIS DRAWING IS UNPUBLISHED. RELEASED FOR PUBLICATION SEP.2005  
 © COPYRIGHT 2005 BY TYCO ELECTRONICS CORPORATION. ALL RIGHTS RESERVED.

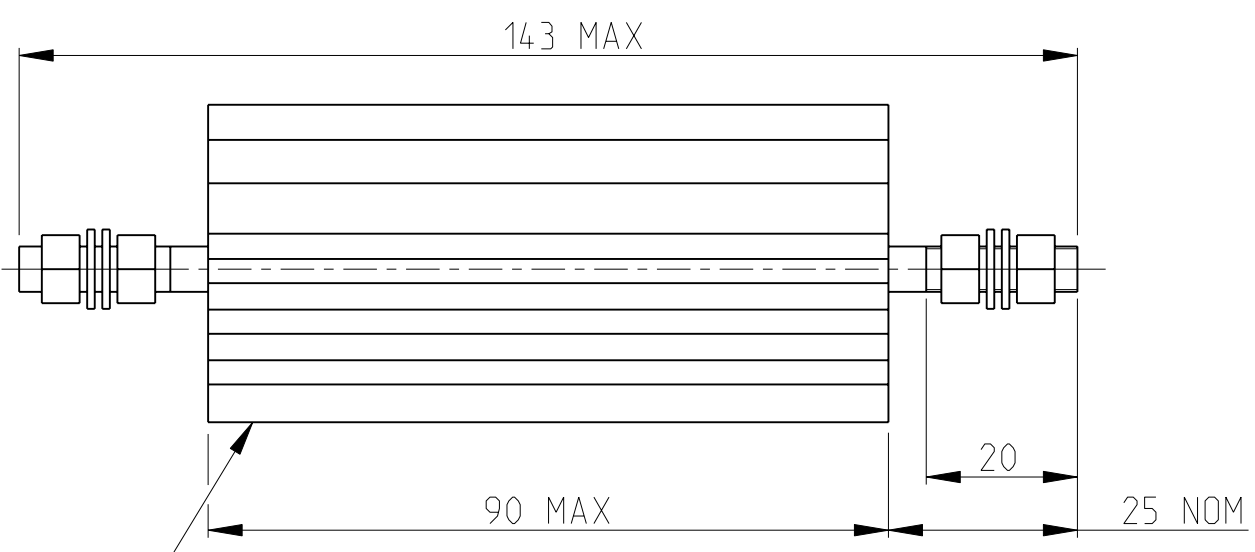
LOC	DIST	REVISIONS			
P	LTR	DESCRIPTION	DATE	DWN	APVD
E	B	A1	Released as per ECR-08-022292	4-Sep-08	SP JC

M6 ST/STEEL TERMINAL STUDS.  
 EACH SUPPLIED WITH :  
 2 OFF M6 ST/STEEL FULL NUTS  
 2 OFF M6/STEEL PLAN WASHERS

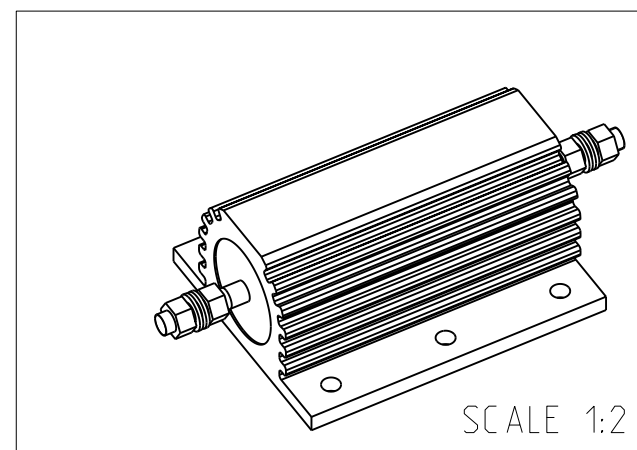
- 1 FOR FURTHER INFORMATION SEE DATA SHEET FOR HS SERIES-ALUMINIUM HOUSED RESISTORS
- 2 FOR A SPECIFIC PN FOR A RESISTANCE VALUE AND TOLERANCE, PLEASE REFER TO DMF



GOLD ANODISED ALUMINIUM HOUSING



RoHS Compliant



<small>THIS DRAWING IS A CONTROLLED DOCUMENT FOR TYCO ELECTRONICS CORPORATION IT IS SUBJECT TO CHANGE AND THE CONTROLLING ENGINEERING ORGANIZATION SHOULD BE CONTACTED FOR THE LATEST REVISION.</small>		DWN DAVE KENNEDY 28.SEP.05 CHK J CATCHPOLE 28.SEP.05 APVD J CATCHPOLE 28.SEP.05		Tyco Electronics Corporation Dorcan, Swindon, SN3 5HH	
DIMENSIONS: mm 		TOLERANCES UNLESS OTHERWISE SPECIFIED: 0 PLC ±0.5 1 PLC ±0.2 2 PLC ±0.1 3 PLC ± 4 PLC ± ANGLES ±5°		NAME NHSC200 ALUMINIUM HOUSED POWER RESISTOR	
MATERIAL -		FINISH -		PRODUCT SPEC - APPLICATION SPEC - WEIGHT -	
CUSTOMER DRAWING		SIZE A3 CAGE CODE 00779 DRAWING NO C-1630020		RESTRICTED TO -	
SCALE 1:1		SHEET 1 OF 1		REV A1	

# Mouser Electronics

Authorized Distributor

Click to View Pricing, Inventory, Delivery & Lifecycle Information:

[TE Connectivity:](#)

[NHSC2001R0J](#)