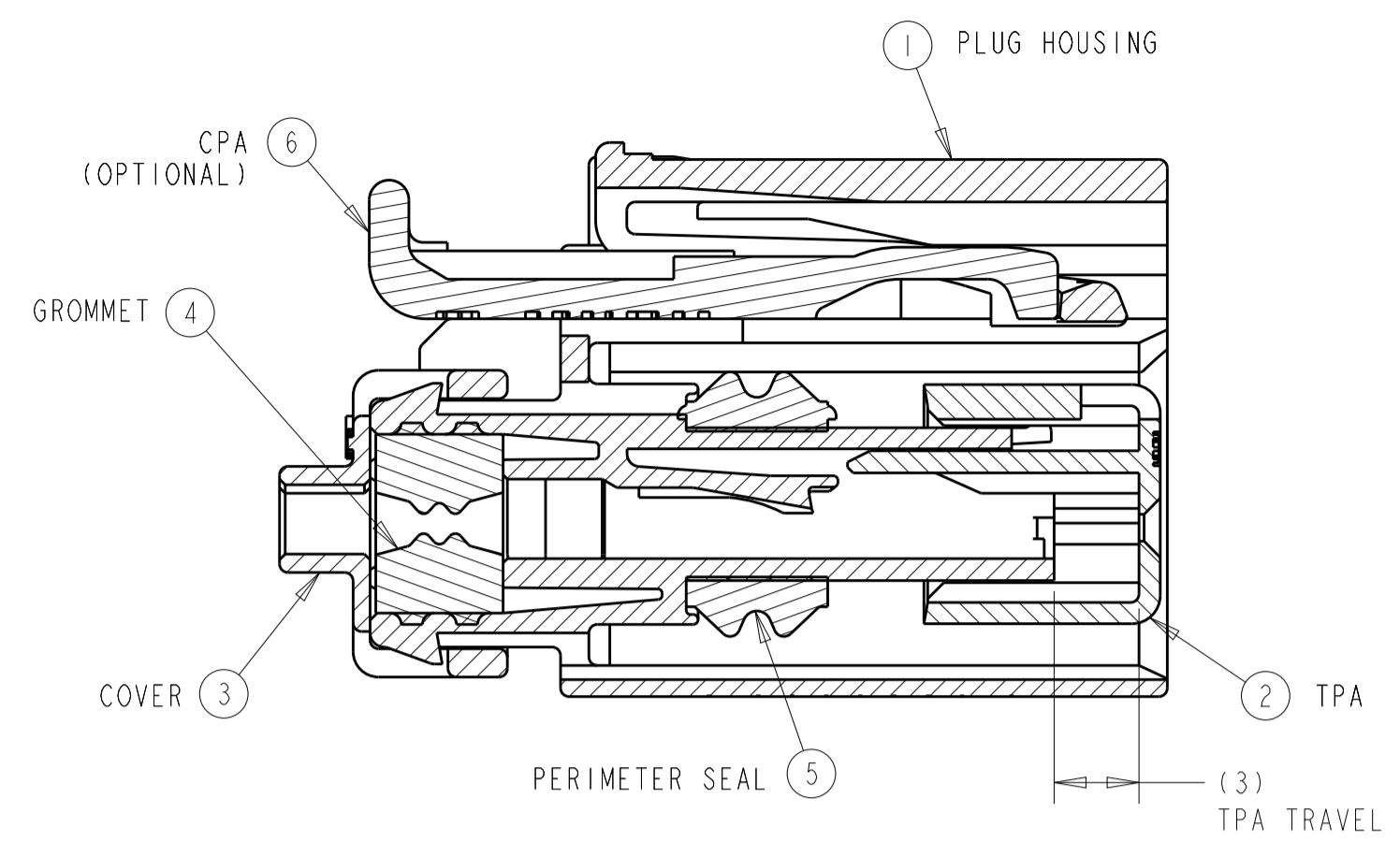
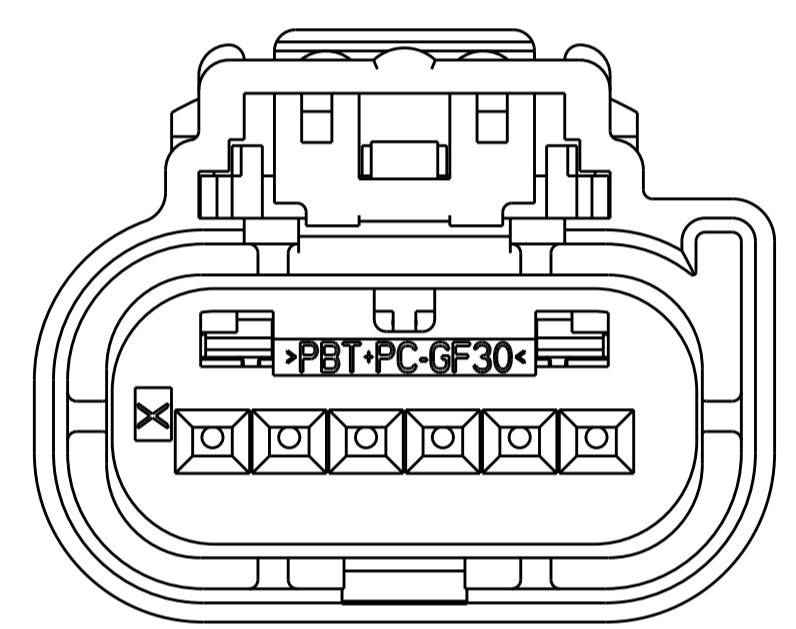
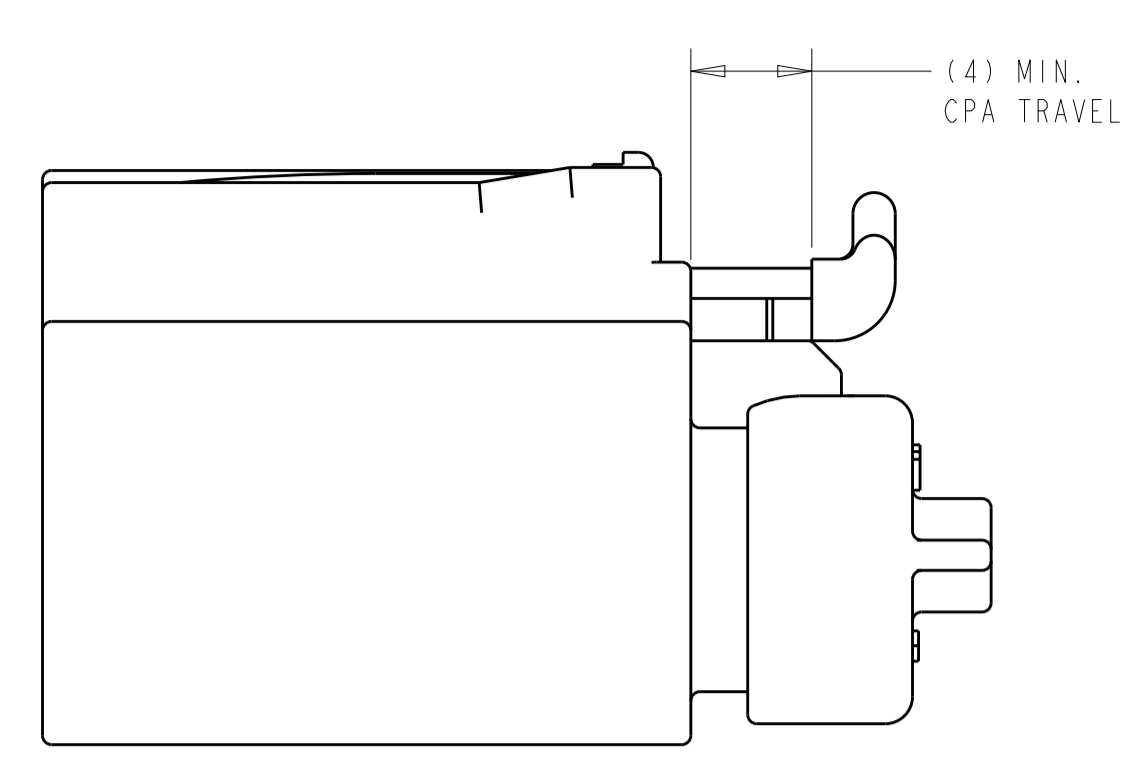
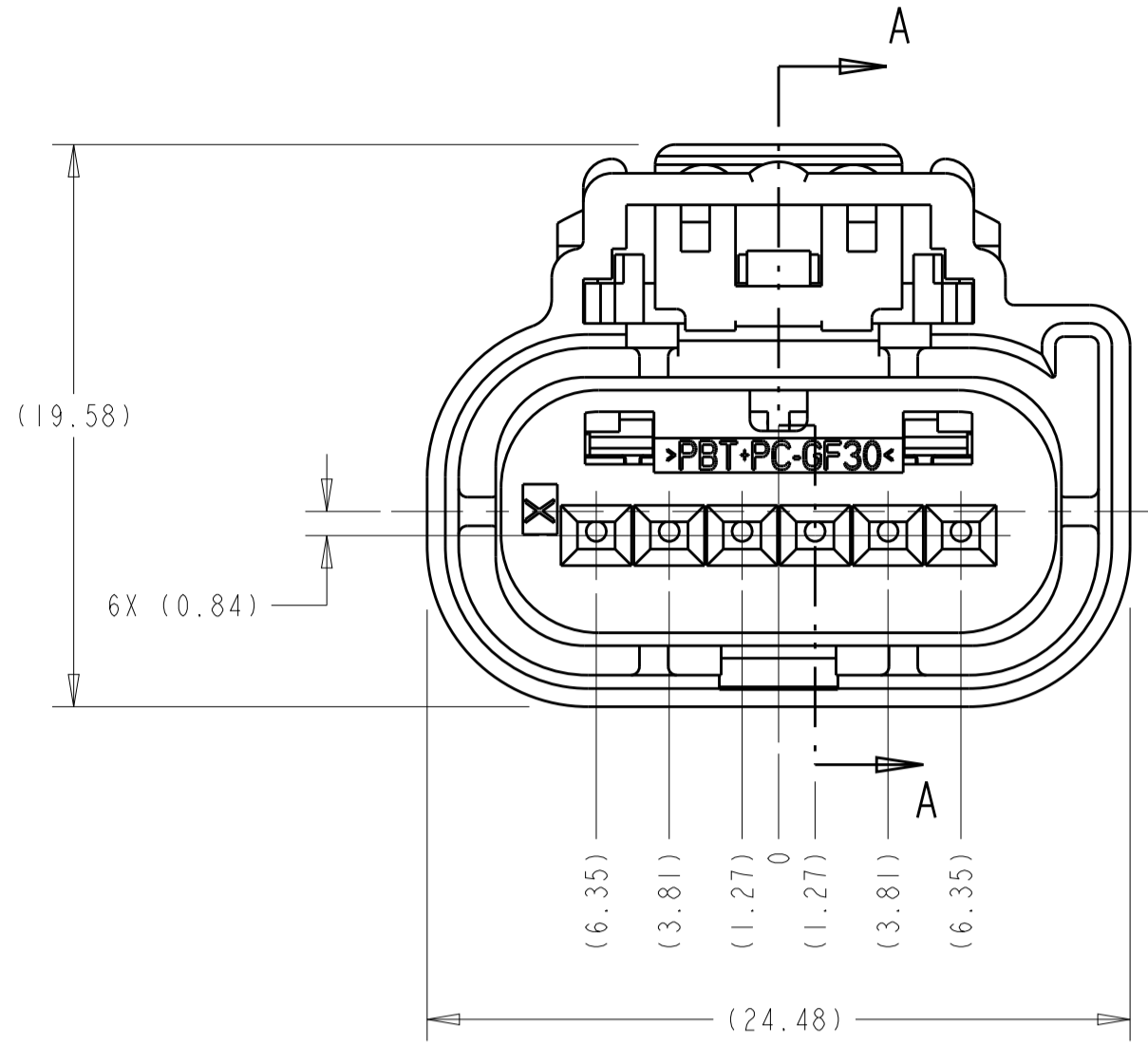


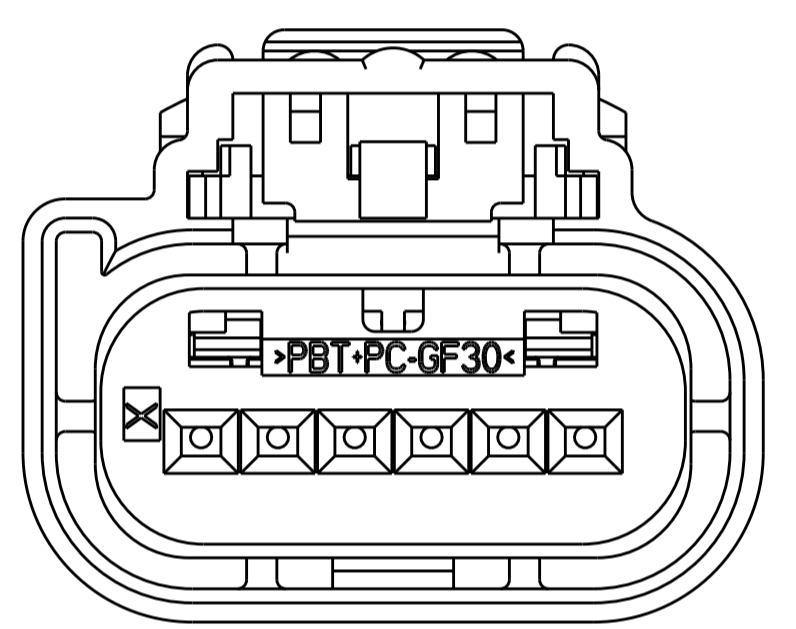
REVISIONS				
P.	LTM	DESCRIPTION	DATE	OWN APVD
V2		REVISED PER ECO-17-001035	25JAN2017	DLD DCM
V3		REVISED PER ECO-17-006269	04MAY2017	DLD DCM
V4		REVISED PER ECO-17-015846	02NOV2017	JMS CM



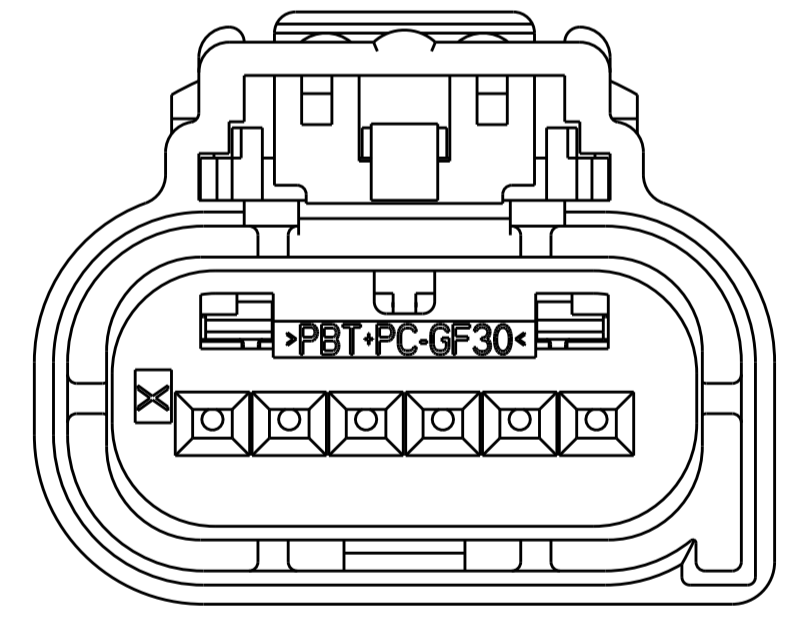
SECTION A-A
 SHOWN WITH TPA
 AND CPA (OPTIONAL) IN
 THEIR PRE-LOADED POSITION
 (DELIVERY CONDITION)



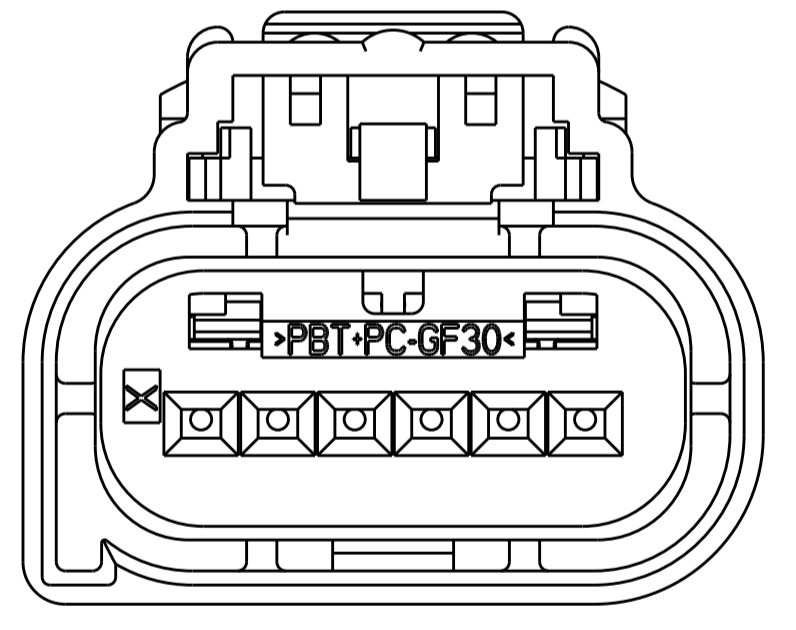
KEYING OPTION "A"



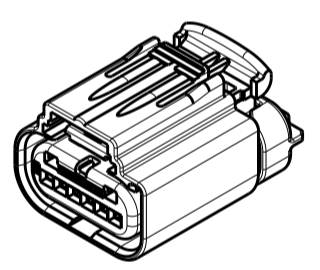
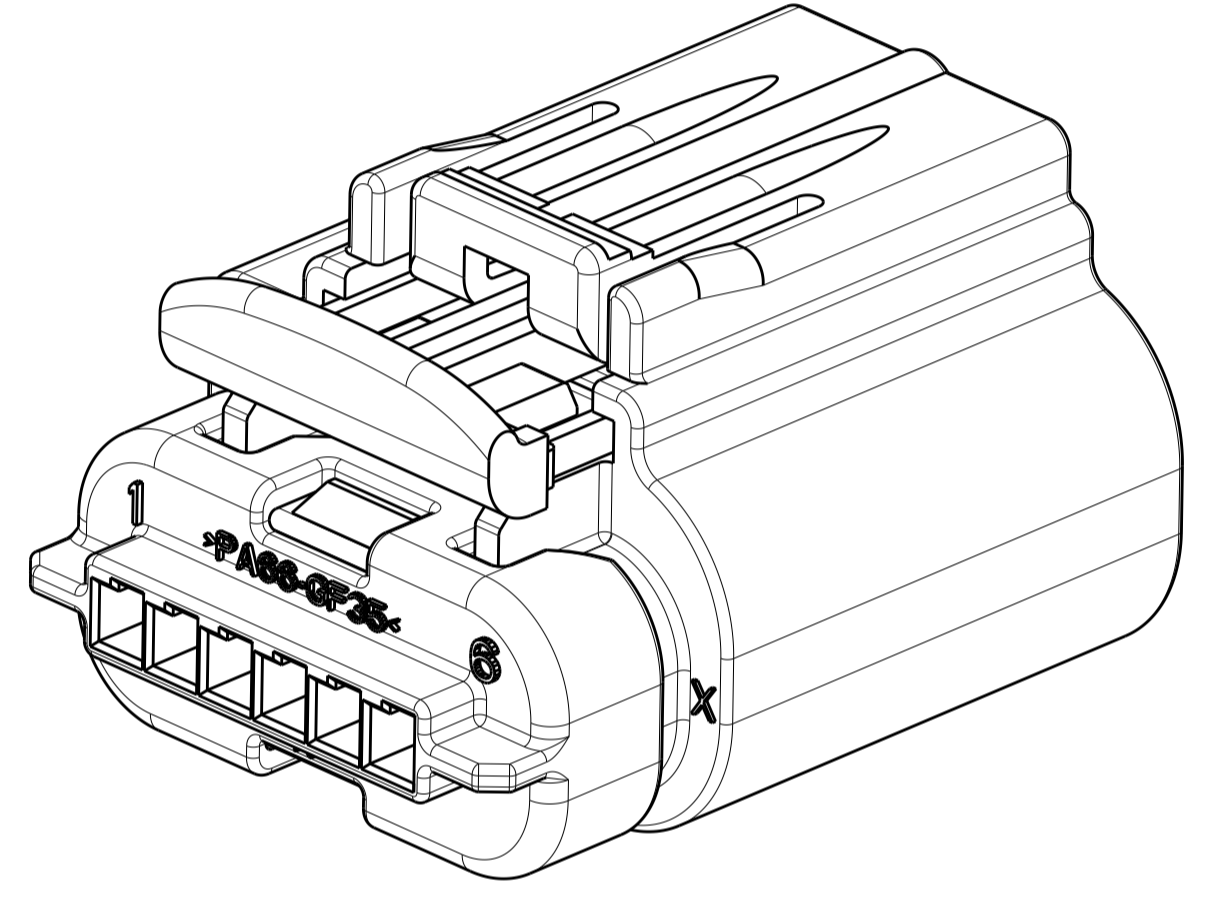
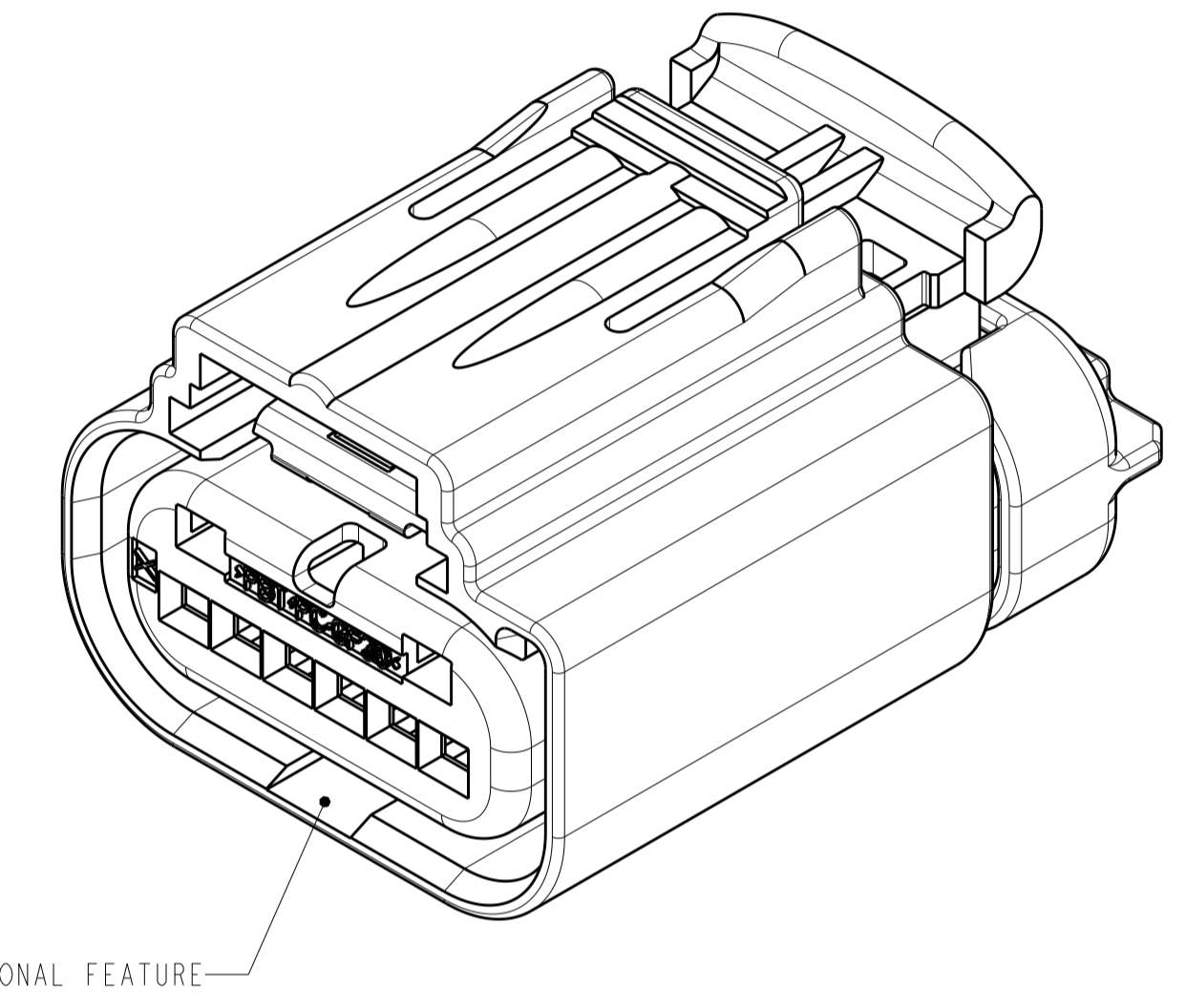
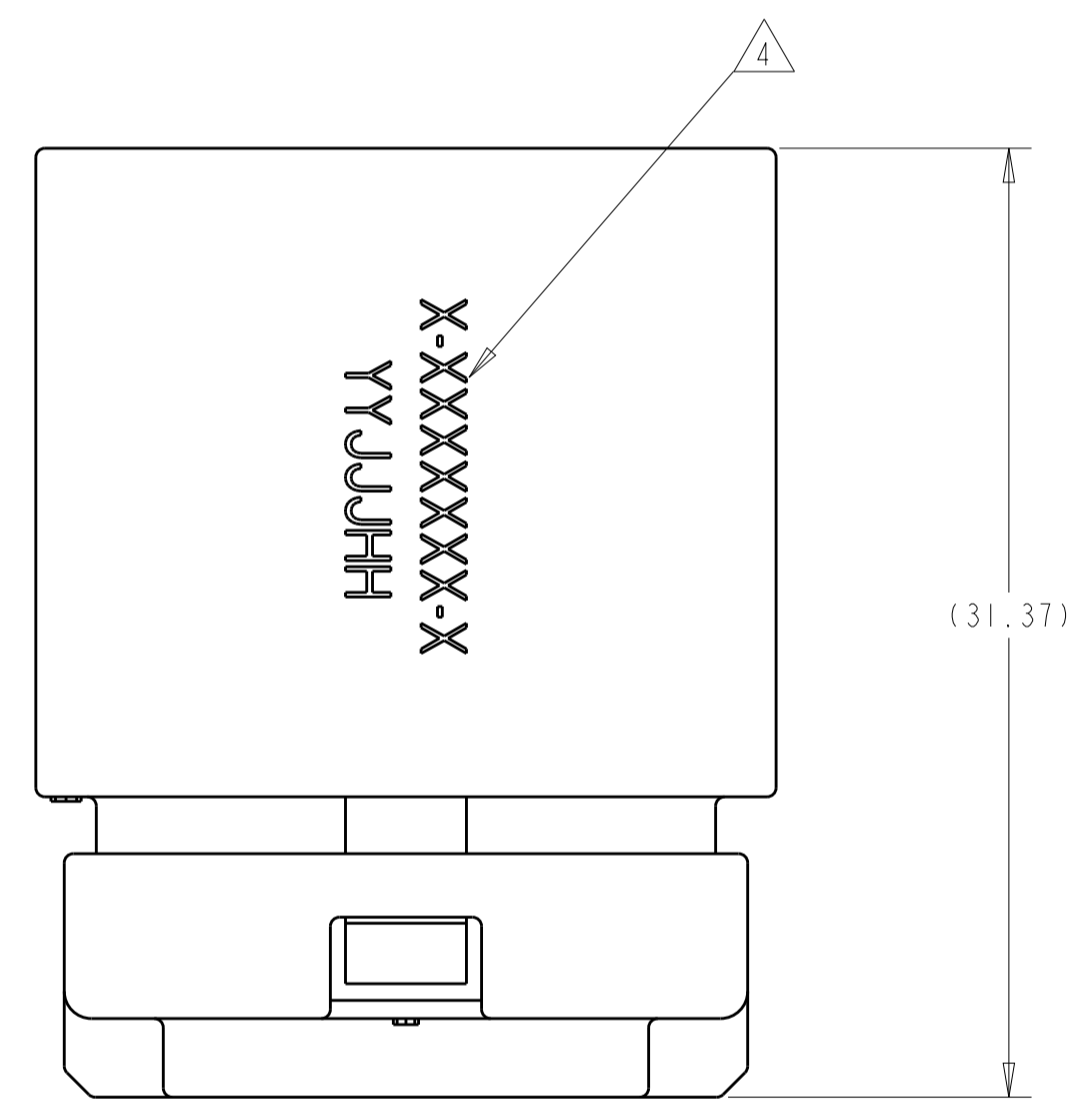
KEYING OPTION "B"



KEYING OPTION "C"



KEYING OPTION "D"



SCALE 1:1

KEYING OPTION "A" SHOWN
 SEE NOTE 5 FOR APPLICABLE HEADER
 INTERFACE INFORMATION

1. APPLICABLE TERMINAL PART NUMBERS (SOLD SEPARATELY):
 FOR TIN APPLICATIONS: 1393367 AND 1393366.
 FOR GOLD APPLICATIONS: 1393365 AND 1393364.
 FOR TERMINATION AND REELING OPTIONS
 SEE DRAWINGS 1393367, 1393366, 1393365, AND 1393364.

2. COMPATIBLE WIRE SIZES FOR MAT SEAL DESIGN 1.19 TO 2.06 O.D.
 (22-18 AWG, 0.35-0.75 mm²)

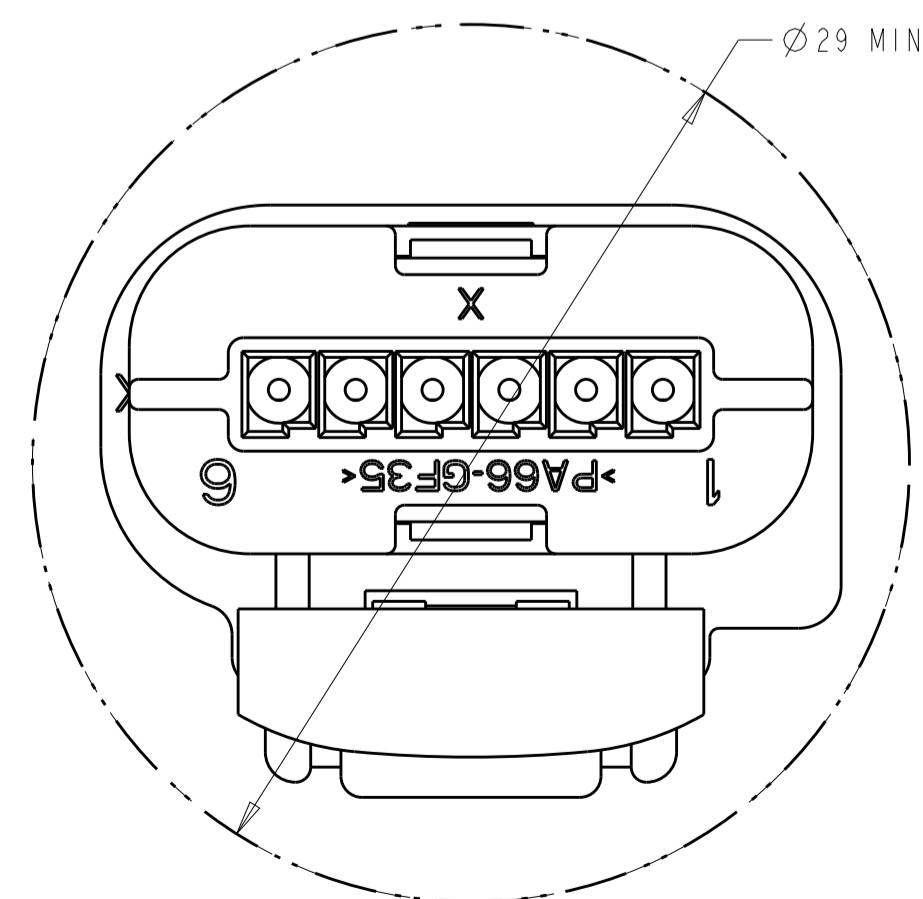
3. TPA IS SHIPPED IN PRE-LOADED POSITION. SOME TPA'S MAY BECOME FULLY
 SEATED DURING SHIPPING. USE TE CONNECTIVITY INSTRUCTION SHEET
 408-10128 TO REPOSITION TPA TO IT'S PRE-LOADED POSITION.

4. TE CONNECTIVITY ASSEMBLY PART NUMBER (X-XXXXXX-X) AND TRACEABILITY CODE
 (YY = TWO DIGIT YEAR, JJJ = JULIAN DAY, HH = TWO DIGIT MILITARY HOUR)
 ARE PRINTED IN THIS LOCATION.

5. APPLICABLE HEADER INTERFACE DRAWING 1438199 IS AVAILABLE UPON REQUEST.
 A COPY OF THIS DRAWING CAN BE OBTAINED FROM THE TE CONNECTIVITY
 PRODUCT MANAGER, VIA YOUR TE CONNECTIVITY SALES REPRESENTATIVE
 OR CUSTOMER SERVICE.

6. ASSEMBLIES ARE BULK PACKAGED.

7. OPTIONAL CPA IS SHIPPED IN IT'S PRE-LOADED POSITION.



MINIMUM FEED THROUGH CONDITION
 WITH 1mm CLEARANCE ALL AROUND

ITEM	DESCRIPTION	MATERIAL	COLOR
6	CPA	PBT-GF15	RED
5	PERIMETER SEAL	SILICONE	GREEN
4	GROMMET	SILICONE	BROWN
3	COVER	PA66-GF35	BLACK
2	TPA	PBT+PC-GF30	RED
	PLUG WITH KEYING KEYING OPTION "D"	PA66-GF35	BLACK
	PLUG WITH KEYING KEYING OPTION "C"	PA66-GF35	BLACK
	PLUG WITH KEYING KEYING OPTION "B"	PA66-GF35	BLACK
	PLUG WITH KEYING KEYING OPTION "A"	PA66-GF35	BLACK

<---- ASSEMBLY PART NUMBERS

2-1438153-1	1-1419168-5		
2-1438153-0	1-1419168-4		
1-1438153-9	1-1419168-3		
1-1438153-8	1-1419168-2		
1-1438153-7	1-1419168-1		
1-1438153-6	1-1419168-0		
1-1438153-5	1-1419168-9		
1-1438153-4	1-1419168-8		
1-1438153-3	1-1419168-7		
1-1438153-2			
1-1438153-1			
1-1438153-0			
1438153-9			
1438153-8			
1438153-7			
1438153-6			
1438153-5			
1438153-4			
1438153-3			
1438153-2			
1438153-1			

THIS DRAWING IS A CONTROLLED DOCUMENT.

OWN: M. FORLSKA 15OCT2001
 CHK: M. FORLSKA 15OCT2001
 APVD: A. SHUMAN 15OCT2001

PRODUCT SPEC: -
 APPLICATION SPEC: 114-13150
 WEIGHT: -
 CUSTOMER DRAWING

SCALE: 4:1 SHEET 1 OF 2 REV: V4

TE Connectivity

1 X 6
 SEALED CONNECTOR HARNESS
 ASSEMBLY

A1 00779 ©=1-1419168-1

REVISIONS				
P.	LTN	DESCRIPTION	DATE	APPV
-	-	SEE SHEET 1	-	-

6	5	4	3	2	1	TE CONNECTIVITY ASSEMBLY PART NUMBER	FORD PART NUMBER
						2-1438153-0	3L2T-14A464-BA-007
6						1-1438153-9	---
6						1-1438153-3	3L2T-14A464-BA-006
			3			1-1438153-2	3L2T-14A464-BA-005
			3			1438153-9	3L2T-14A464-BA-004
	4					1438153-8	3L2T-14A464-BA-003
						1438153-4	3L2T-14A464-BA-002
6						1438153-1	3L2T-14A464-BA-001
						1-1419168-1	3L2T-14A464-BA-000
6	5	4	3	2	1	TE CONNECTIVITY ASSEMBLY PART NUMBER	FORD PART NUMBER
CAVITIES WITH A NUMBER INDICATES CLOSED TERMINAL HOLE LOCATION							
BLANK CAVITIES INDICATES OPEN TERMINAL HOLE LOCATION							
KEY A, WITH CPA							

6	5	4	3	2	1	TE CONNECTIVITY ASSEMBLY PART NUMBER	FORD PART NUMBER
			3			2-1438153-1	3W4T-14A464-VA-008
6						1-1438153-6	3W4T-14A464-VA-007
6	5					1-1438153-5	3W4T-14A464-VA-006
6				2		1-1438153-4	3W4T-14A464-VA-005
	5					1-1438153-1	3W4T-14A464-VA-004
		4				1-1438153-0	---
						1438153-6	3W4T-14A464-VA-003
6						1438153-5	3W4T-14A464-VA-002
6		4				1438153-2	3W4T-14A464-VA-001
						1-1419168-2	3W4T-14A464-VA-000
6	5	4	3	2	1	TE CONNECTIVITY ASSEMBLY PART NUMBER	FORD PART NUMBER
CAVITIES WITH A NUMBER INDICATES CLOSED TERMINAL HOLE LOCATION							
BLANK CAVITIES INDICATES OPEN TERMINAL HOLE LOCATION							
KEY B, WITH CPA							

6	5	4	3	2	1	TE CONNECTIVITY ASSEMBLY PART NUMBER	FORD PART NUMBER
						1-1438153-8	9U5T-14A464-GAA-003
6						1-1438153-7	9U5T-14A464-GAA-002
6						1-1419168-5	9U5T-14A464-GAA-001
						1-1419168-3	9U5T-14A464-GAA
6	5	4	3	2	1	TE CONNECTIVITY ASSEMBLY PART NUMBER	FORD PART NUMBER
CAVITIES WITH A NUMBER INDICATES CLOSED TERMINAL HOLE LOCATION							
BLANK CAVITIES INDICATES OPEN TERMINAL HOLE LOCATION							
KEY C, WITH CPA							


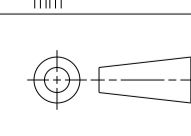
6	5	4	3	2	1	TE CONNECTIVITY ASSEMBLY PART NUMBER	FORD PART NUMBER
						1438153-3	3L2T-14A464-GA-001
						1419168-7	3L2T-14A464-GA-000
6	5	4	3	2	1	TE CONNECTIVITY ASSEMBLY PART NUMBER	FORD PART NUMBER
CAVITIES WITH A NUMBER INDICATES CLOSED TERMINAL HOLE LOCATION							
BLANK CAVITIES INDICATES OPEN TERMINAL HOLE LOCATION							
KEY A, NO CPA							

6	5	4	3	2	1	TE CONNECTIVITY ASSEMBLY PART NUMBER	FORD PART NUMBER
6						1438153-7	4L5T-14A464-BA-001
						1419168-8	4L5T-14A464-BA-000
6	5	4	3	2	1	TE CONNECTIVITY ASSEMBLY PART NUMBER	FORD PART NUMBER
CAVITIES WITH A NUMBER INDICATES CLOSED TERMINAL HOLE LOCATION							
BLANK CAVITIES INDICATES OPEN TERMINAL HOLE LOCATION							
KEY B, NO CPA							

6	5	4	3	2	1	TE CONNECTIVITY ASSEMBLY PART NUMBER	FORD PART NUMBER
						1419168-9	---
6	5	4	3	2	1	TE CONNECTIVITY ASSEMBLY PART NUMBER	FORD PART NUMBER
CAVITIES WITH A NUMBER INDICATES CLOSED TERMINAL HOLE LOCATION							
BLANK CAVITIES INDICATES OPEN TERMINAL HOLE LOCATION							
KEY C, NO CPA							

6	5	4	3	2	1	TE CONNECTIVITY ASSEMBLY PART NUMBER	FORD PART NUMBER
						1-1419168-0	---
6	5	4	3	2	1	TE CONNECTIVITY ASSEMBLY PART NUMBER	FORD PART NUMBER
CAVITIES WITH A NUMBER INDICATES CLOSED TERMINAL HOLE LOCATION							
BLANK CAVITIES INDICATES OPEN TERMINAL HOLE LOCATION							
KEY D, NO CPA							

PINOUT CHARTS

THIS DRAWING IS A CONTROLLED DOCUMENT.		OWN M. FORISKA 15OCT2001	 TE Connectivity NAME I X 6 SEALED CONNECTOR HARNESS ASSEMBLY
DIMENSIONS: mm		CHK M. FORISKA 15OCT2001	
 TOLERANCES UNLESS OTHERWISE SPECIFIED: 0 PLC ± 1 PLC ±0.3 2 PLC ±0.10 3 PLC ± 4 PLC ± ANGLES ±3° FINISH		APVD A. SHUMAN 15OCT2001	
MATERIAL		PRODUCT SPEC	
		APPLICATION SPEC	RESTRICTED TO
		WEIGHT	SIZE CAGE CODE DRAWING NO
		CUSTOMER DRAWING	A1 00779 C=1-1419168-1
		SCALE 4:1	SHEET 2 OF 2 REV V4

Mouser Electronics

Authorized Distributor

Click to View Pricing, Inventory, Delivery & Lifecycle Information:

[TE Connectivity:](#)

[1438153-5](#)