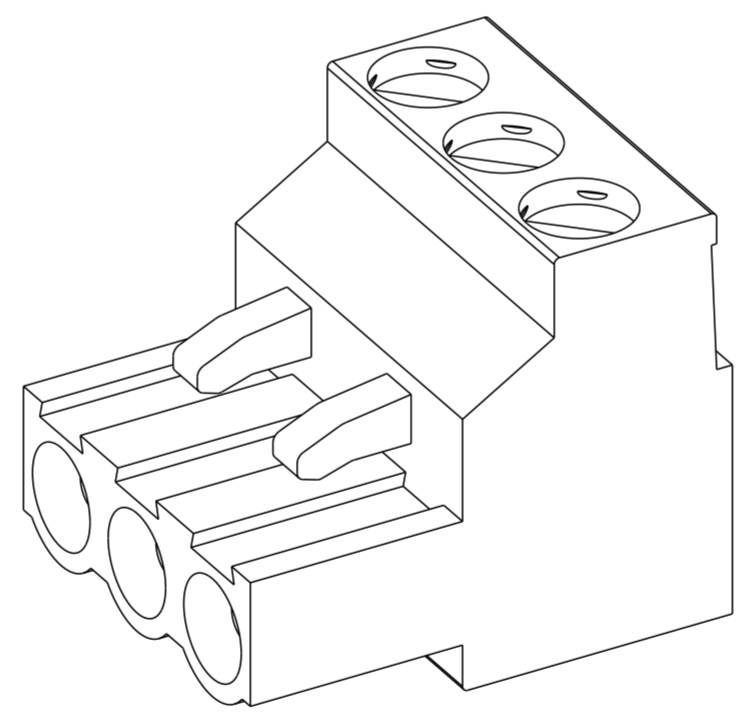
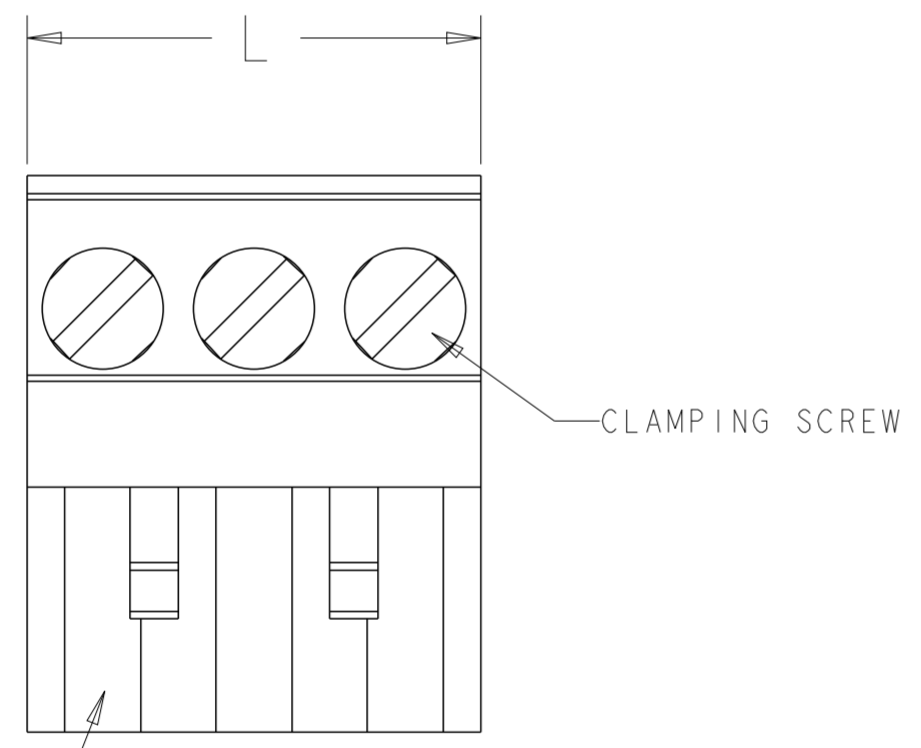
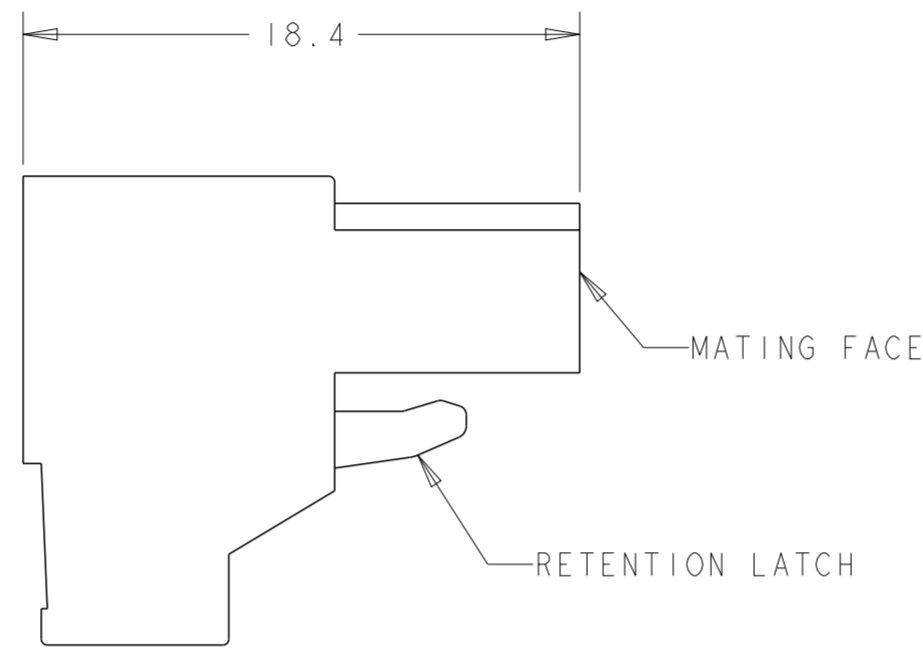
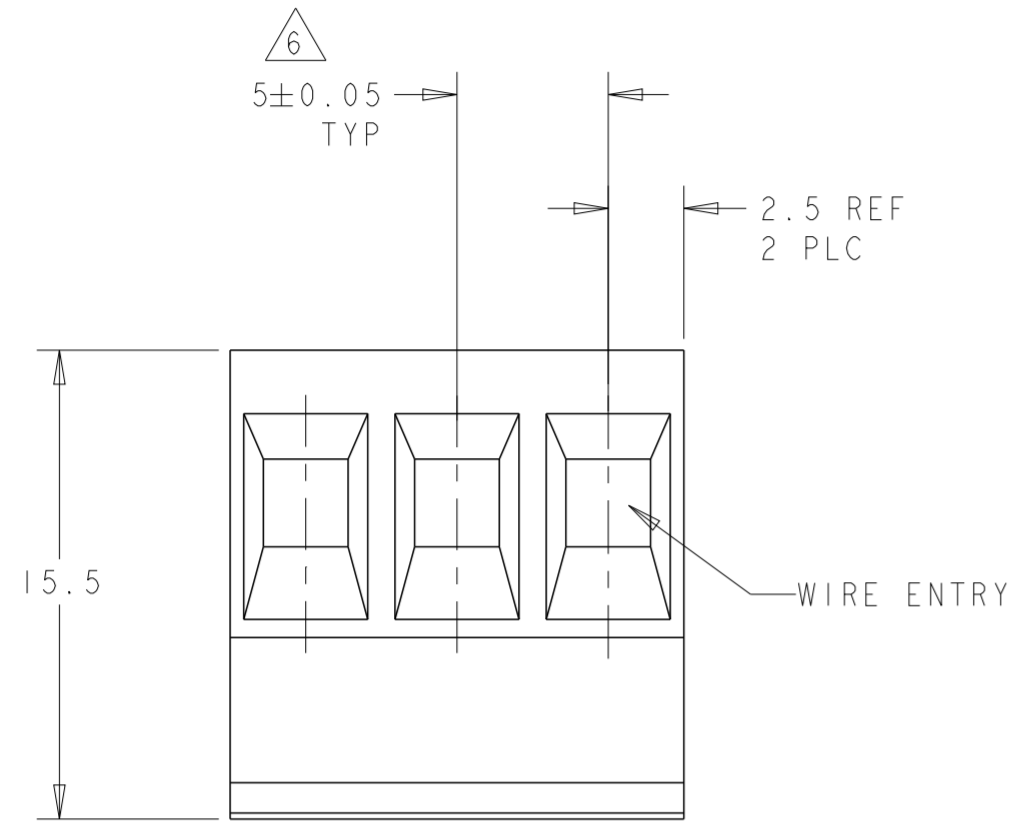


THIS DRAWING IS UNPUBLISHED. RELEASED FOR PUBLICATION 20
 © COPYRIGHT 20 BY - ALL RIGHTS RESERVED.

| REVISIONS | | | | | | |
|-----------|-----|---------------------------|-----------|-----|------|--|
| P | LTR | DESCRIPTION | DATE | DWN | APVD | |
| | F11 | REVISED PER ECO-13-007522 | 03MAY2013 | KH | MB | |



| | | | | | | | |
|----|-----|---|---|---------------|--------|----|------------|
| 13 | TIN | 7 | 9 | MARK 4 TO 1 | 20.00 | 4 | 5-796640-4 |
| 13 | TIN | 7 | 9 | MARK 3 TO 1 | 15.00 | 3 | 5-796640-3 |
| 13 | TIN | 7 | 9 | MARK 1 TO 3 | 15.00 | 3 | 5-796640-2 |
| 13 | TIN | 7 | 9 | MARK 1 TO 3 | 15.00 | 3 | 5-796640-1 |
| 13 | TIN | 7 | 9 | MARK 1 TO 4 | 20.00 | 4 | 5-796640-0 |
| 13 | TIN | 7 | 9 | MARK 15 TO 28 | 70.00 | 14 | 4-796640-9 |
| 13 | TIN | 7 | 9 | MARK 13 TO 24 | 60.00 | 12 | 4-796640-8 |
| 13 | TIN | 7 | 9 | MARK 1 TO 14 | 70.00 | 14 | 4-796640-7 |
| 13 | TIN | 8 | 9 | MARK 1 TO 12 | 60.00 | 12 | 4-796640-6 |
| 13 | TIN | 8 | 9 | MARK 1 TO 7 | 35.00 | 7 | 4-796640-5 |
| 13 | TIN | 8 | 9 | MARK 1 TO 5 | 25.00 | 5 | 4-796640-4 |
| | TIN | 8 | 9 | MARK 11 TO 15 | 25.00 | 5 | 4-796640-3 |
| | TIN | - | - | DETAIL S | 35.00 | 7 | 4-796640-2 |
| | TIN | 7 | 9 | MARK 1 TO 3 | 15.00 | 3 | 4-796640-1 |
| | TIN | - | - | DETAIL P | 20.00 | 4 | 3-796640-9 |
| | TIN | 7 | 9 | MARK 1 TO 8 | 40.00 | 8 | 3-796640-8 |
| | TIN | 7 | 9 | MARK 37 TO 54 | 90.00 | 18 | 3-796640-7 |
| | TIN | 7 | 9 | MARK 19 TO 36 | 90.00 | 18 | 3-796640-6 |
| | TIN | 7 | 9 | MARK 1 TO 18 | 90.00 | 18 | 3-796640-5 |
| | TIN | 8 | 9 | MARK 1 TO 10 | 50.00 | 10 | 3-796640-4 |
| | TIN | 8 | 9 | MARK 1 TO 8 | 40.00 | 8 | 3-796640-3 |
| | TIN | 7 | - | DETAIL N | 30.00 | 6 | 3-796640-0 |
| | TIN | 7 | 9 | MARK 1 TO 6 | 30.00 | 6 | 2-796640-9 |
| | TIN | - | - | - | 125.00 | 25 | 2-796640-5 |
| | TIN | - | - | - | 120.00 | 24 | 2-796640-4 |
| | TIN | - | - | - | 115.00 | 23 | 2-796640-3 |
| | TIN | - | - | - | 110.00 | 22 | 2-796640-2 |
| | TIN | - | - | - | 105.00 | 21 | 2-796640-1 |
| | TIN | - | - | - | 100.00 | 20 | 2-796640-0 |
| | TIN | - | - | - | 95.00 | 19 | 1-796640-9 |
| | TIN | - | - | - | 90.00 | 18 | 1-796640-8 |
| | TIN | - | - | - | 85.00 | 17 | 1-796640-7 |
| | TIN | - | - | - | 80.00 | 16 | 1-796640-6 |
| | TIN | - | - | - | 75.00 | 15 | 1-796640-5 |
| | TIN | - | - | - | 70.00 | 14 | 1-796640-4 |
| | TIN | - | - | - | 65.00 | 13 | 1-796640-3 |
| | TIN | - | - | - | 60.00 | 12 | 1-796640-2 |
| | TIN | - | - | - | 55.00 | 11 | 1-796640-1 |
| | TIN | - | - | - | 50.00 | 10 | 1-796640-0 |
| | TIN | - | - | - | 45.00 | 9 | 796640-9 |
| | TIN | - | - | - | 40.00 | 8 | 796640-8 |
| | TIN | - | - | - | 35.00 | 7 | 796640-7 |
| | TIN | - | - | - | 30.00 | 6 | 796640-6 |
| | TIN | - | - | - | 25.00 | 5 | 796640-5 |
| | TIN | - | - | - | 20.00 | 4 | 796640-4 |
| | TIN | - | - | - | 15.00 | 3 | 796640-3 |
| | TIN | - | - | - | 10.00 | 2 | 796640-2 |

| TERMINAL PLATING | MARKING | SPECIAL | L | NO OF POSN | PART NUMBER |
|------------------|---------|---------|---|------------|-------------|
|------------------|---------|---------|---|------------|-------------|

THIS DRAWING IS A CONTROLLED DOCUMENT.

DWN S. WELDON 18OCT2000
 CHK D. BIEVENOUR 18OCT2000
 APVD D. BIEVENOUR 18OCT2000

STE TE Connectivity

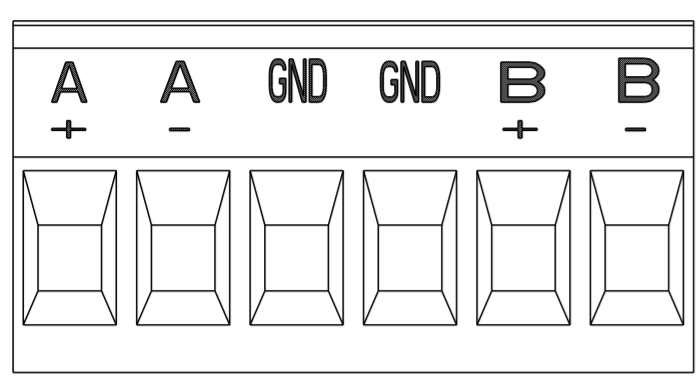
NAME: TERMINAL BLOCK, PLUG, STACKING
 5.00mm PITCH

SIZE: A2 CAGE CODE: 00779 DRAWING NO: C-796640

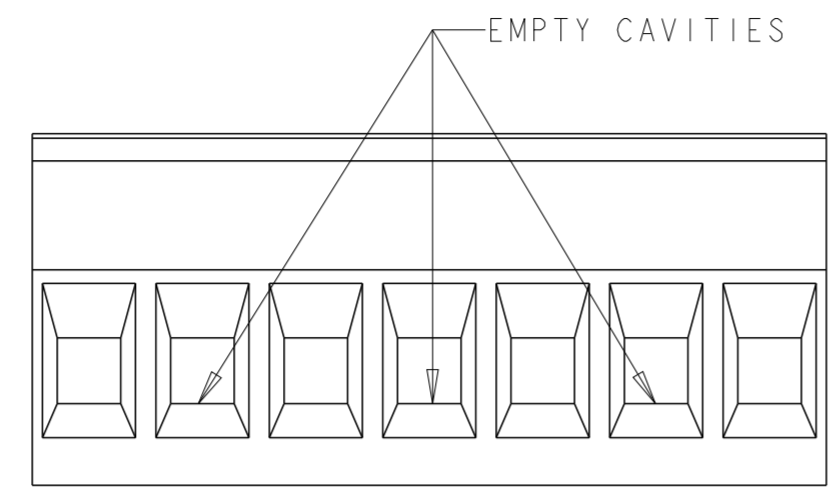
SCALE: 4:1 SHEET 1 OF 2 REV F11

THIS DRAWING IS UNPUBLISHED. RELEASED FOR PUBLICATION 20
 © COPYRIGHT 20 BY - ALL RIGHTS RESERVED.

| REVISIONS | | | | | | | |
|-----------|------|---|-----|-------------|------|-----|------|
| LOC | DIST | P | LTR | DESCRIPTION | DATE | DWN | APVD |
| - | - | - | - | SEE SHEET 1 | - | - | - |



DETAIL N



DETAIL S

1. MATERIALS AND FINISH:
 HOUSING: PA 6-6, UL 94-V0, COLOR: GREEN.
 CLAMP: BRASS, NICKEL PLATED.
 DOUBLE SIDE CONTACT SPRING: PHOSPHOR BRONZE, PLATING: SEE TABLE.
 CLAMPING SCREW: M3, BRASS, NICKEL PLATED.

2. END-TO-END STACKABLE WITHOUT LOSS OF CENTERLINE SPACING.
 3. WIRE SIZE RANGE: 12-30 AWG.
 4. RECOGNIZED UNDER THE COMPONENT PROGRAM OF UNDERWRITERS LABORATORIES INC. FILE N° E60677.
 5. IMQ CERTIFICATE WITH SURVEILLANCE IN CONFORMITY WITH IEC 998-1/998-2-1.

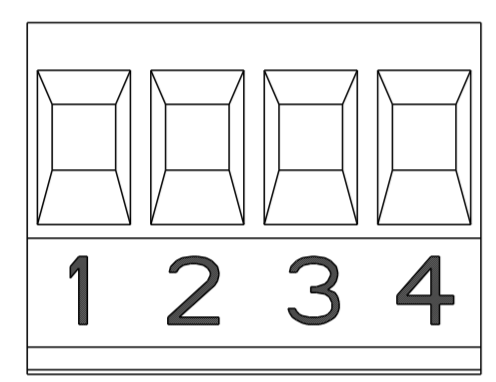
6. NOT CUMULATIVE TOLERANCE
 7. INK MARKING: BLACK COLOR.
 8. INK MARKING: WHITE COLOR.
 9. NUMERICAL SEQUENCE: FROM LEFT TO RIGHT, WIRE ENTRY SIDE.
 10. RETENTION LATCHES REMOVED

11. BUCHANAN LOGO TO APPEAR ON HOUSING, LOCATION OPTIONAL WHERE SPACE PERMITS.

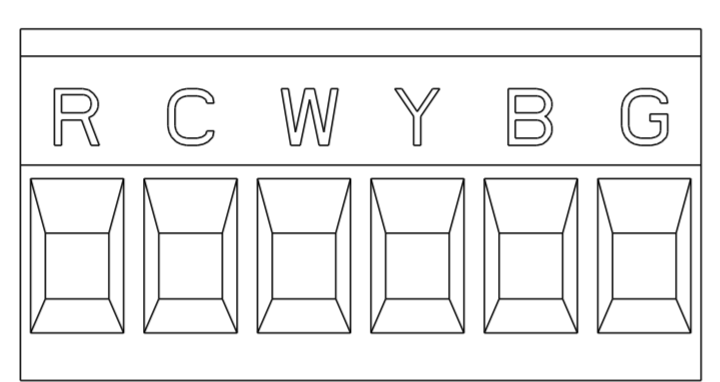
12. WIRE ENTRY CLOSED.

13. PRELIMINARY - NOT FOR PRODUCTION.

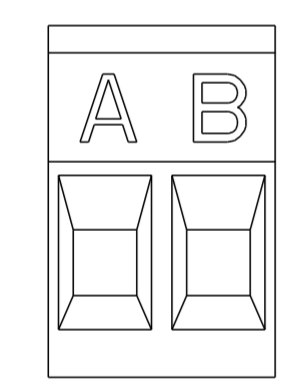
14. NUMERICAL SEQUENCE: FROM RIGHT TO LEFT, WIRE ENTRY SIDE.



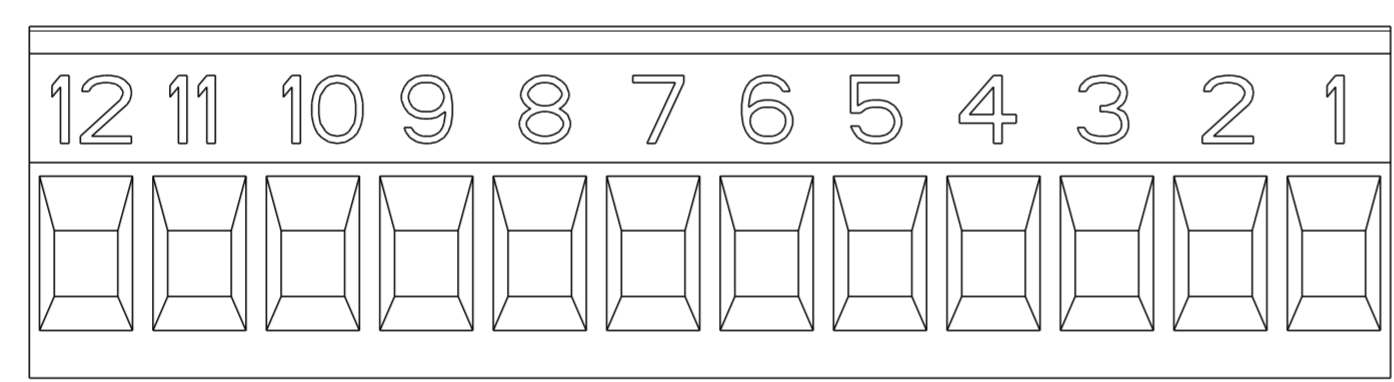
DETAIL P



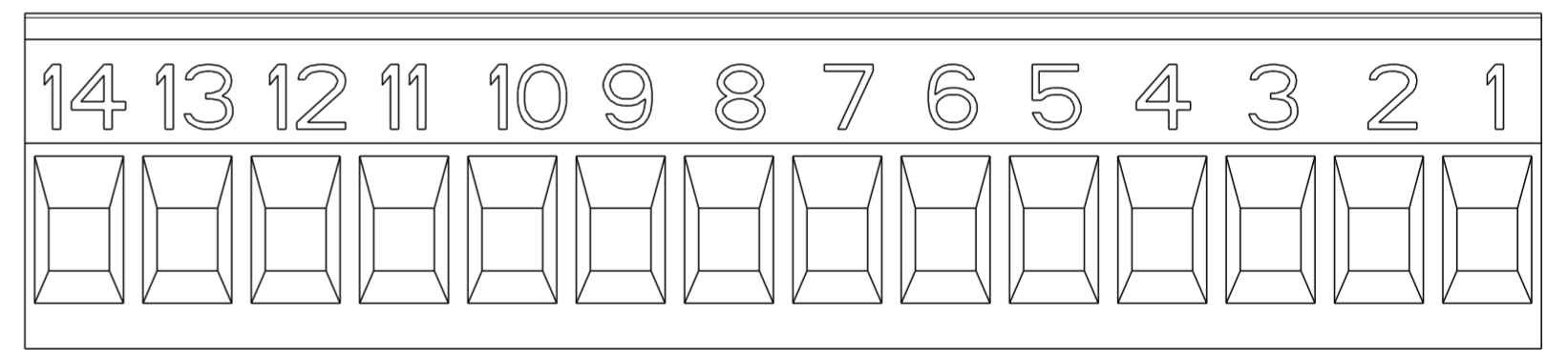
DETAIL T



DETAIL U

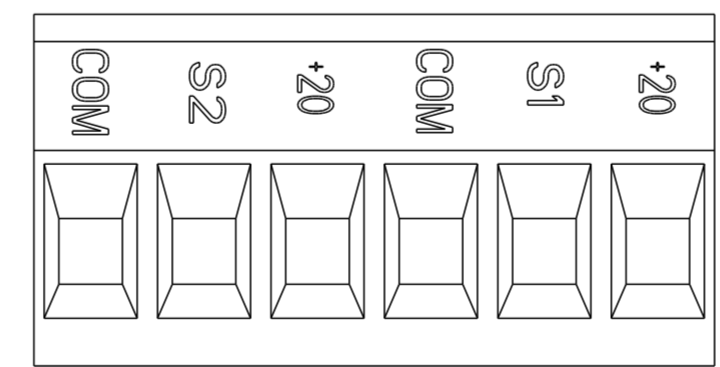


DETAIL V

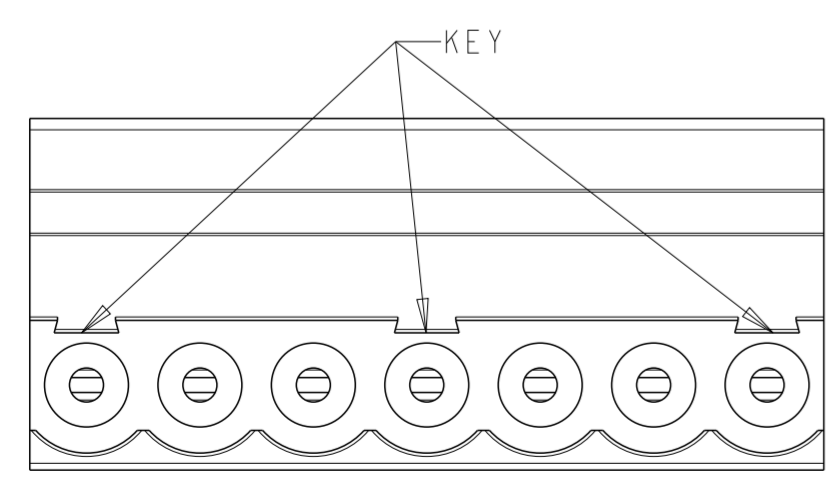


DETAIL X

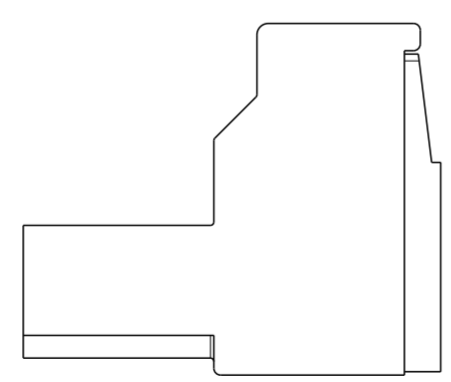
| | | | | | | |
|----|------------------|---------|-----------------------------------|-------|------------|-------------|
| 13 | TIN | 7 | DETAIL Y | 30.00 | 6 | 6-796640-5 |
| 13 | TIN | 7 14 | DETAIL X | 70.00 | 14 | 6-796640-4 |
| 13 | TIN | - | DETAIL W, NO LATCH KEY POSN 1,4,7 | 35.00 | 7 | 6-796640-1 |
| 13 | TIN | 7 14 | DETAIL V | 60.00 | 12 | 6-796640-0 |
| 13 | GOLD FLASH | - | - | 35.00 | 7 | 5-796640-9 |
| | TIN | 7 | DETAIL U | 10.00 | 2 | 5-796640-8 |
| | TIN | 7 | DETAIL T | 30.00 | 6 | 5-796640-7 |
| 13 | TIN | 7 9 | MARK 13 TO 24 | 60.00 | 12 | 5-796640-6 |
| 13 | TIN | 7 9 | MARK 25 TO 38 | 70.00 | 14 | 5-796640-5 |
| | TERMINAL PLATING | MARKING | SPECIAL | L | NO OF POSN | PART NUMBER |



DETAIL Y



DETAIL W



THIS DRAWING IS A CONTROLLED DOCUMENT.

| | | | |
|----------------|--|-----------------------------|--|
| DIMENSIONS: mm | TOLERANCES UNLESS OTHERWISE SPECIFIED: | DWN S. WELDON 18OCT2000 | TE Connectivity NAME: TERMINAL BLOCK, PLUG, STACKING 5.00mm PITCH |
| | 0 PLC ± | CHK D. BLEVENOUR 18OCT2000 | |
| | 1 PLC ±0.3 | APVD D. BLEVENOUR 18OCT2000 | |
| | 2 PLC ±0.25 | PRODUCT SPEC | |
| | 3 PLC ± | APPLICATION SPEC | SIZE: A200779 |
| | 4 PLC ± | WEIGHT | CAGE CODE: C-796640 |
| MATERIAL | FINISH | CUSTOMER DRAWING | RESTRICTED TO |
| | ANGLES ±2 | SCALE: 4:1 | SHEET 2 OF 2 |
| | | REV: FILL | |

Mouser Electronics

Authorized Distributor

Click to View Pricing, Inventory, Delivery & Lifecycle Information:

[TE Connectivity:](#)

[796640-8](#)