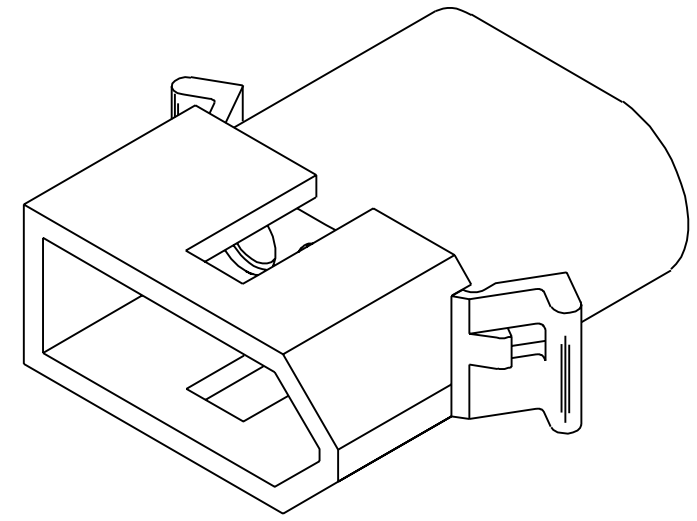
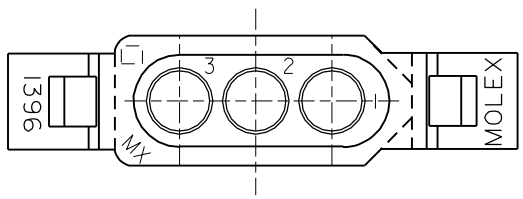
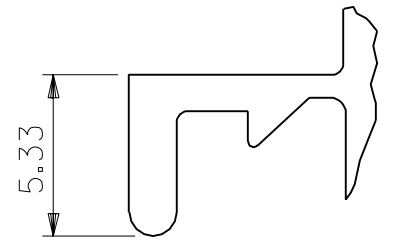
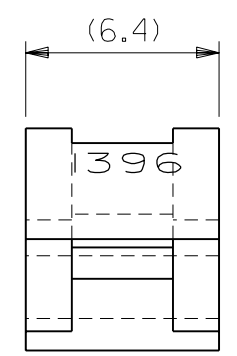
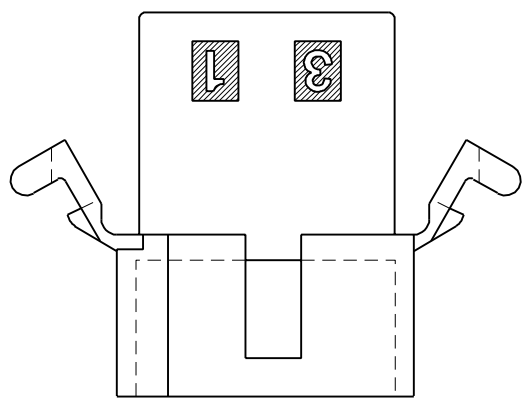
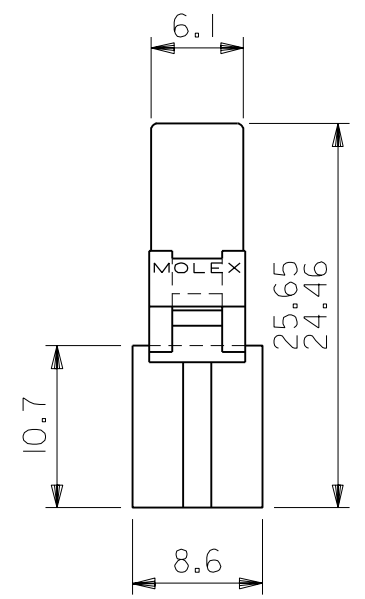
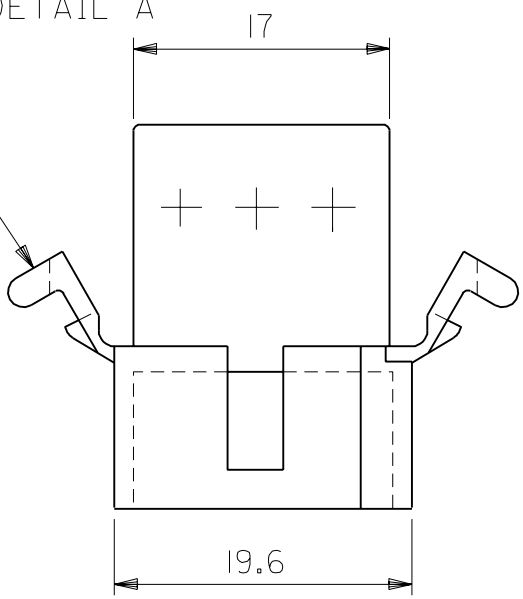


DWG. NO.  
SD-1396-002

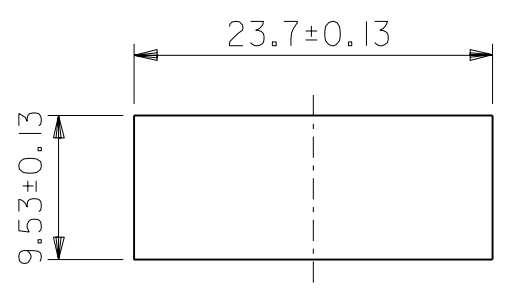
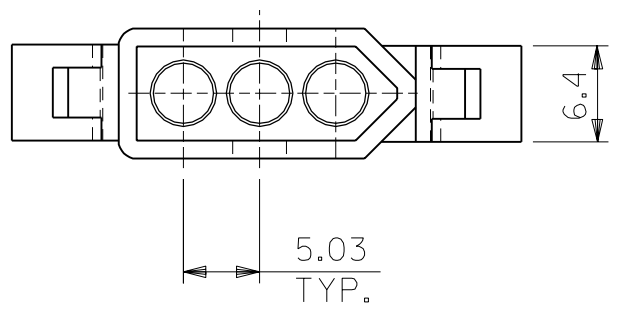


PLUG

MT'G EARS (表参照)  
参照 DETAIL A



DETAIL A  
(SCALE 4:1)



パネル取付穴寸法  
(パネル厚 2.29最大)

1396P1	03-09-2032	無	WITHOUT
1396P	03-09-2031	有	WITH
ENG. NO.	EDP NO.	MT'G EARS	

DO NOT SCALE DRAWING

EC NO.	EC NO.	EC NO.	EC NO.
DRWN:	DRWN:	DRWN:	DRWN:
CHK:	CHK:	CHK:	CHK:
APPR:	APPR:	APPR:	APPR:

RELEASED  
EC NO. JC2001-0078  
DRWN: K.KOHAMA '00/08/28  
CHK: T.YAMAGUCHI  
APPR: M.FUKUSHIMA

MATERIAL 材料	NYLON66 94V-2
FINISH 仕上り	
WIRE RANGE 適用電線範囲	
INS. RANGE 被覆外径	

GENERAL TOLERANCES: (UNLESS SPECIFIED) 一般公差	
10 UNDER 未満	±0.25 ±0.2
10 OVER 30 UNDER 以上 未満	±0.3 ±0.25
30 OVER 以上	±0.35 ±0.3
ANGLE 角度	±3°

SCALE 2:1	DESIGN UNITS <input checked="" type="checkbox"/> mm <input type="checkbox"/> INCH	MODEL NO. 03-09-2***	DIMENSIONS: <input type="checkbox"/> mm <input type="checkbox"/> INCH <input checked="" type="checkbox"/> mm ONLY	SHT REV
DRAWN BY & DATE K.KOHAMA '00/08/28		THIRD ANGLE PROJECTION		
CHECKED BY & DATE T.YAMAGUCHI '00/08/28		TITLE: 3 CIRCUITS PLUG HSG (0.093 DIA TERMINAL)		
APPROVED BY & DATE M.FUKUSHIMA '00/08/28		MOLEX INCORPORATED		
CAD FILENAME 1396002.S01	MATERIAL NO. SEE NOTES	DRAWING NO. SD-1396-002	SHEET NO. 1 OF 1	
THIS DRAWING CONTAINS INFORMATION THAT IS PROPRIETARY TO MOLEX INCORPORATED AND SHOULD NOT BE USED WITHOUT WRITTEN PERMISSION.				SIZE B