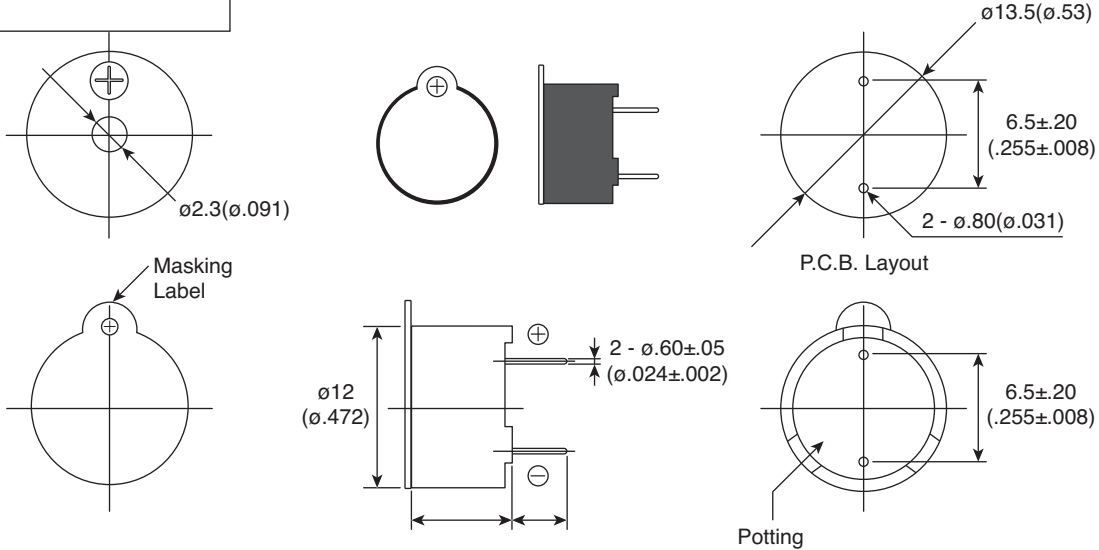
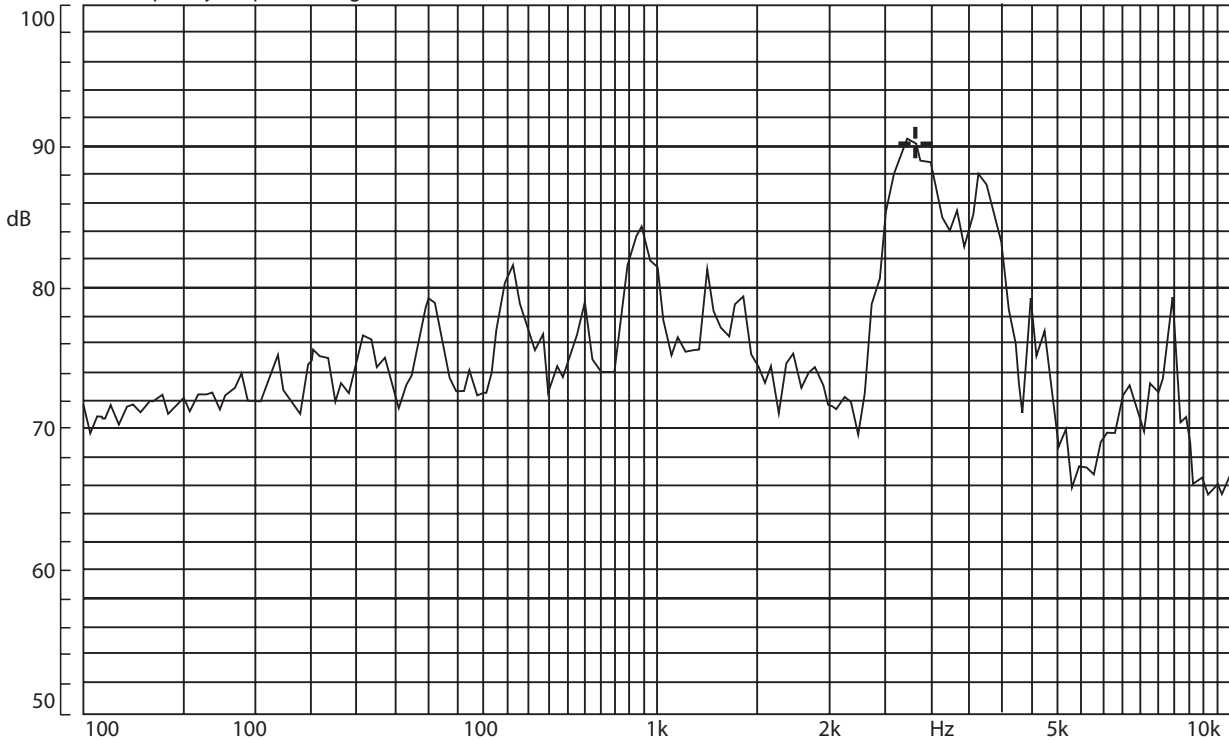


**Part Number:**

254-EMB120-RO



A: Frequency Response, Magn dB re 20.00 PA



**Electrical Specifications:**

- Rated Voltage: 1.5 Vo-p
- Operating Voltage: 1.0~2.0 Vo-p
- Mean Current: 40 mA (max.)
- Direct Current Resistance:  $16 \pm 2.4 \Omega$
- Sound Output: 85 dBA (min.)
- Rated Frequency: 2800

**Mechanical Specifications:**

- Operating Temperature:  $-40^{\circ}\text{C} \sim +85^{\circ}\text{C}$
- Storage Temperature:  $-50^{\circ}\text{C} \sim +95^{\circ}\text{C}$

**Note:**

- RoHS Compliant

KT-400464

# Mouser Electronics

Authorized Distributor

Click to View Pricing, Inventory, Delivery & Lifecycle Information:

[Kobitone:](#)

[254-EMB120-RO](#)