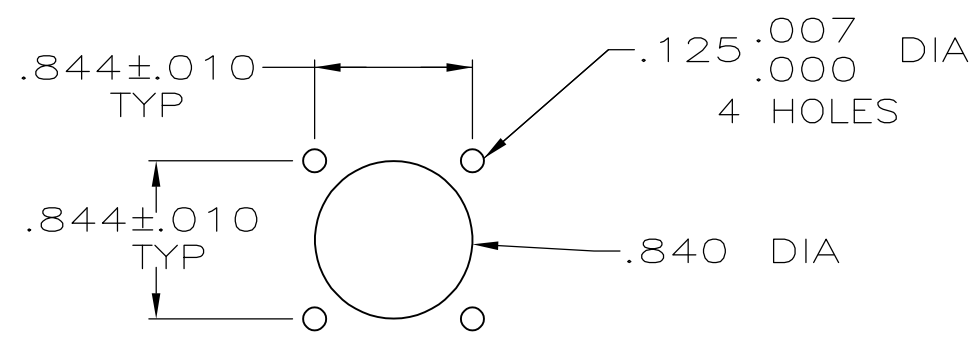
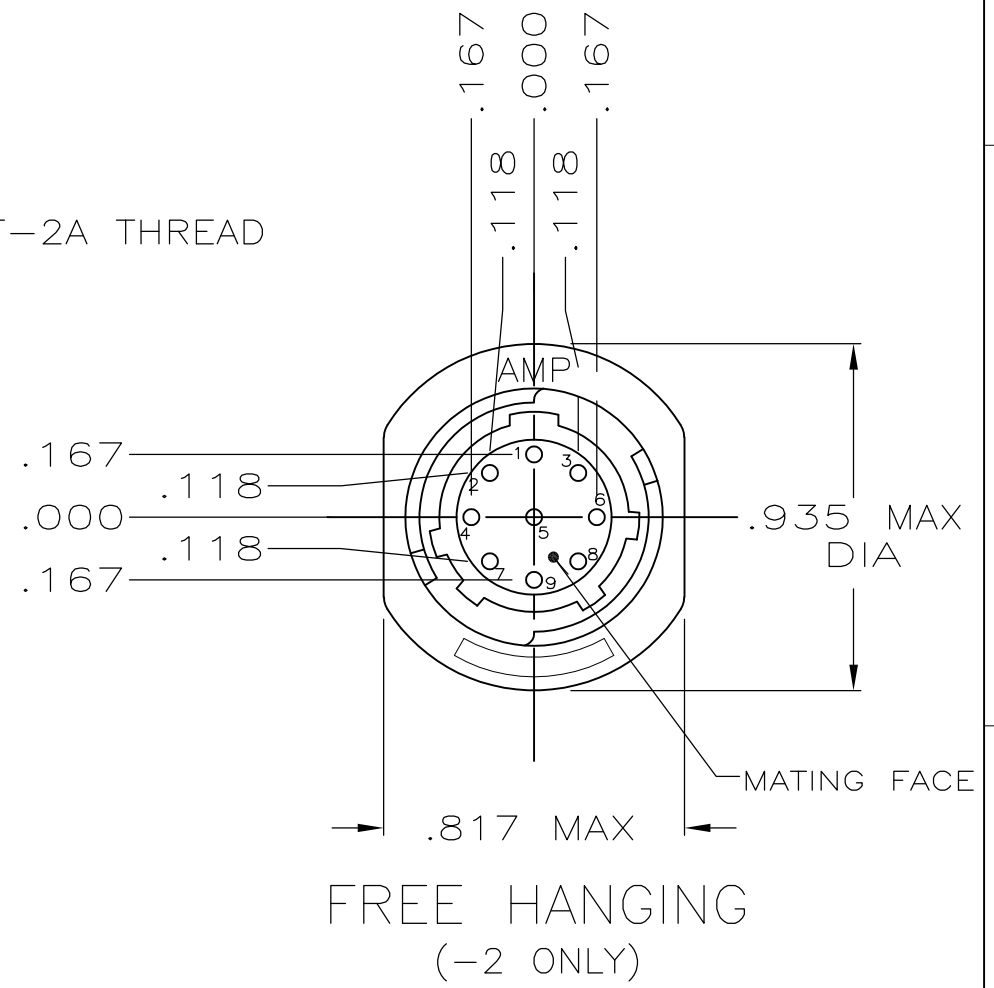
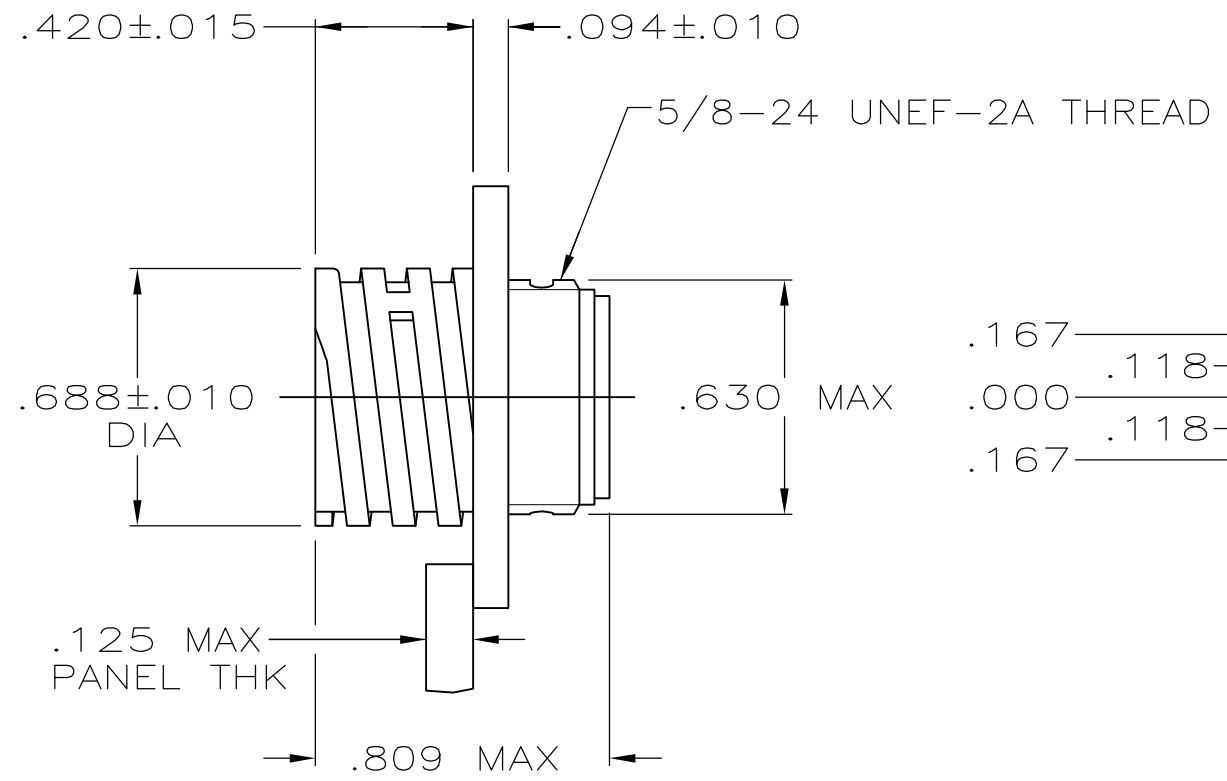
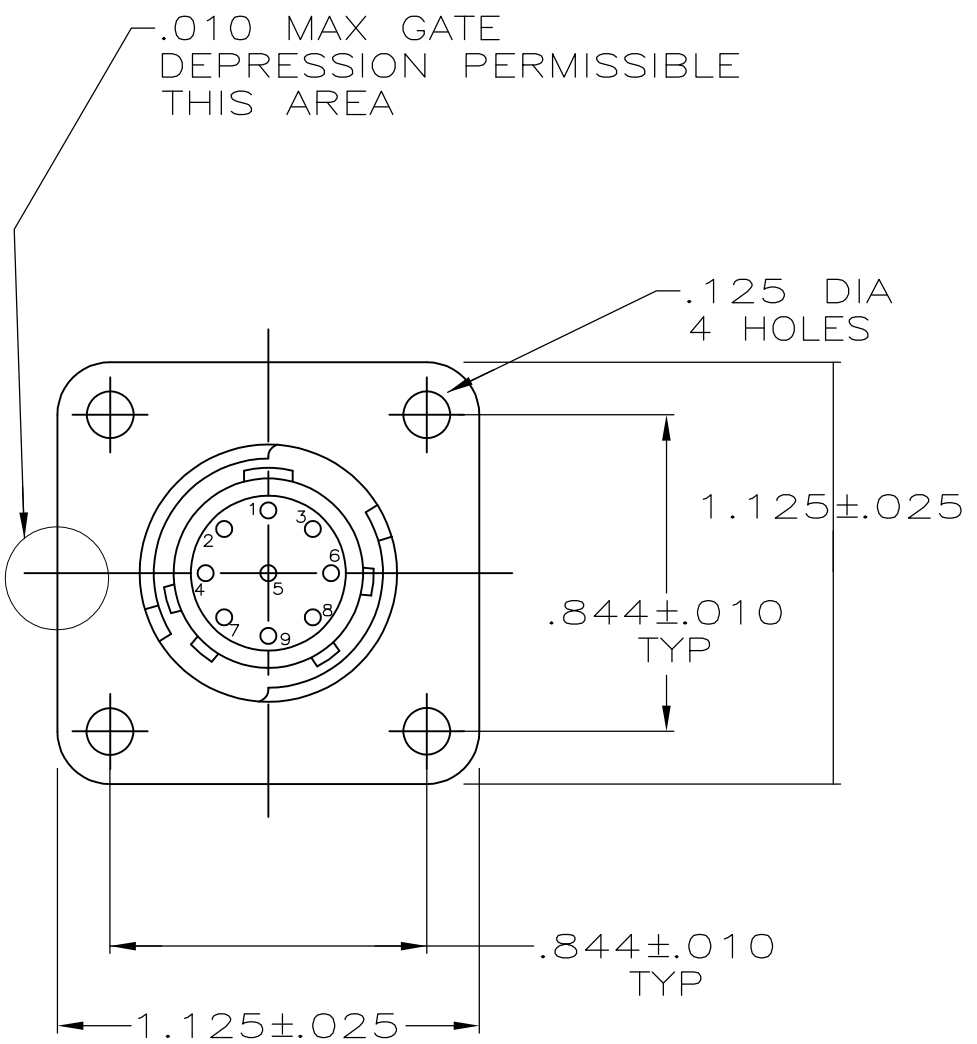


THIS DRAWING IS UNPUBLISHED. RELEASED FOR PUBLICATION  
 © COPYRIGHT - By - ALL RIGHTS RESERVED.

LOC	DIST	REVISIONS			
P	LTR	DESCRIPTION	DATE	DWN	APVD
FT	0	K1	REVISED PER ECO-11-004587	11MAR11	RK HMR



PANEL CUTOUT  
SCALE 1:1

- CONTACT CAVITIES IDENTIFIED BY CHARACTERS ON FRONT AND REAR FACES OF CONNECTOR.
- WILL ACCEPT (9) SIZE 20 PIN CONTACTS.

206486-2
206486-1
PART NUMBER

THIS DRAWING IS A CONTROLLED DOCUMENT.		DWN	A.STAUB BG	4/1/91	<b>STE</b> TE Connectivity		
DIMENSIONS: INCHES		CHK	W.G.LENKER	7-27-92			
TOLERANCES UNLESS OTHERWISE SPECIFIED:		APVD	K.BEAVER	7-27-92	NAME		
0 PLC	± -	PRODUCT SPEC		108-10024			RECEPTACLE ASSEMBLY, STD SEX, SERIES 2, 11-9, CPC
1 PLC	± -	APPLICATION SPEC		-			RESTRICTED TO
2 PLC	± -	MATERIAL		THERMOPLASTIC, BLACK			SIZE
3 PLC	± .005	FINISH		-			CAGE CODE
4 PLC	± -	MATERIAL		-			DRAWING NO
ANGLES	± -	MATERIAL		-			REV
MATERIAL		FINISH		-			SCALE
THERMOPLASTIC, BLACK		FINISH		-			SHEET
MATERIAL		FINISH		-			1 OF 1
THERMOPLASTIC, BLACK		FINISH		-			REV K1
MATERIAL		FINISH		-			SCALE 2:1
THERMOPLASTIC, BLACK		FINISH		-			SHEET 1 OF 1
MATERIAL		FINISH		-			REV K1
THERMOPLASTIC, BLACK		FINISH		-			SCALE 2:1
MATERIAL		FINISH		-			SHEET 1 OF 1
THERMOPLASTIC, BLACK		FINISH		-			REV K1

# Mouser Electronics

Authorized Distributor

Click to View Pricing, Inventory, Delivery & Lifecycle Information:

[TE Connectivity:](#)

[206486-2](#)