

New! MR SERIES SNAP-IN ROCKER SWITCHES

FEATURES

- Cost effective illuminated or non-illuminated models.
- Double pole maintained action models.
- Actuator and case color selections.
- Standard actuator marking options.

SPECIFICATIONS

Contact ratings:	10A 125VAC (UL), 8A 250VAC 1/4HP (UL), 12A 125VAC (CSA) 10A 250VAC 1/4HP (CSA), 8(4)A 250V~ μ T86 (VDE, SEMCO, NEMCO, DEMCO, FIMCO, SEV).
Initial contact resistance:	20 milliohms max.
Insulation resistance:	100 megohms min. at 500 V
Dielectric strength:	1000 VAC for 1 minute
Electrical life:	10,000 cycles at full load
Operating temperature range:	-20°C to 80°C

MATERIALS

Contacts:	Silver cadmium alloy	Lamps:	Neon or fluorescent.
Terminals:	Silver plated copper alloy		
Actuator:	Nylon type 66 (UL94V-2 min.)		
Case:	Nylon type 66 (UL94V-2 min.)		

AGENCY RECOGNITION



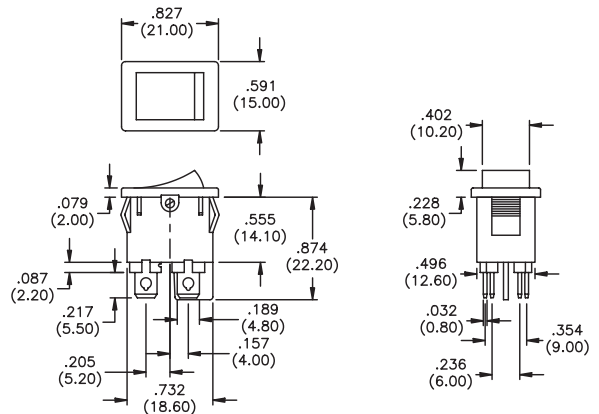
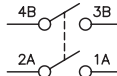
UL, CSA, VDE, SEMKO, NEMKO, DEMKO, FEMKO, & SEV. Models are supplied with agency markings.

Quick connect terminals - non-illuminated



MODEL NO.	CIRCUIT
MR210C2NBB	ON OFF

Above model has black actuator & case.



SPECIFICATIONS SUBJECT TO CHANGE WITHOUT NOTICE

N

New! MR SERIES SNAP-IN ROCKER SWITCHES

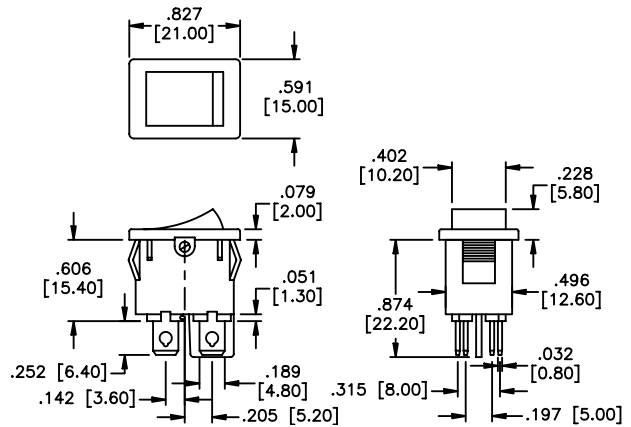
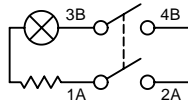
N

Quick connect terminals - illuminated



MODEL NO.	CIRCUIT
MR210C2LB0	ON OFF

Above model has black actuator & case.

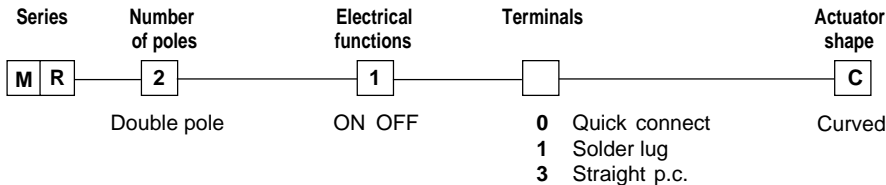


Additional ordering information: Commonly ordered models are shown above with complete model numbers and specifications. Below is an order format that enables you to 'build your own switch' and specify the correct switch model number by simply selecting from all available options shown and filling in the boxes.

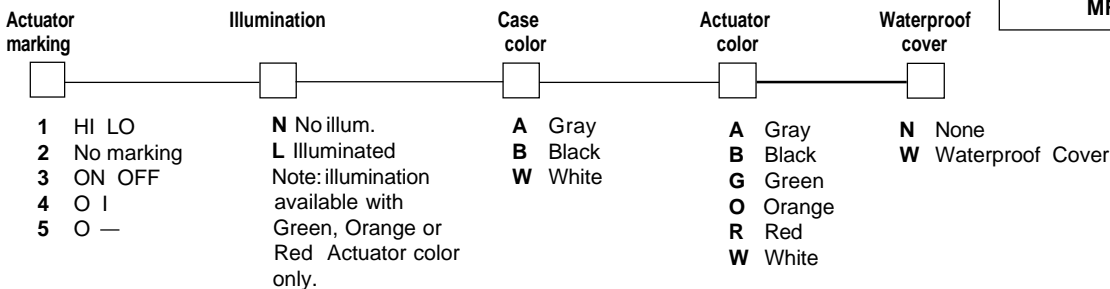
'BUILD YOUR OWN SWITCH' ORDER FORMAT

Fill in boxes with selections shown for **Model Structure**, then add **Options** selections for complete model number. Allowable options are shown below each respective box.

Model Structure:



Options:

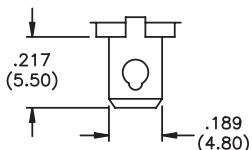


Example of completely specified model number:
MR210C2NBB

TERMINALS

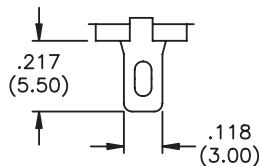
PANEL CUT-OUTS

QUICK-CONNECT



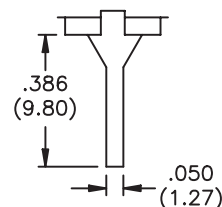
0

SOLDER LUG

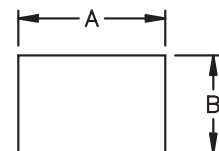


1

STRAIGHT P.C.



3



pnl. tk'ness.	A +0, -.004	B +0, -.004
.029-.049"	.752"	.508"
.050-.078"	.756"	.508"
.079-.118"	.768"	.508"

Mouser Electronics

Authorized Distributor

Click to View Pricing, Inventory, Delivery & Lifecycle Information:

[Apem:](#)

[MR210C5NBB](#) [MR110C2LBRN](#) [MR110C5NBB](#) [MR213C4NBBN](#) [MR3221C2BB](#) [MR3231C2BB](#) [MR210C2LB0](#)
[MR210C2LBR](#) [MR210C2NBB](#) [MR210C3NBB](#) [MR210C5LBG](#) [MR210C5LBR](#) [MR212C2NBB](#) [MR3230C2NBBNNC](#)
[MR110C2NBB](#)