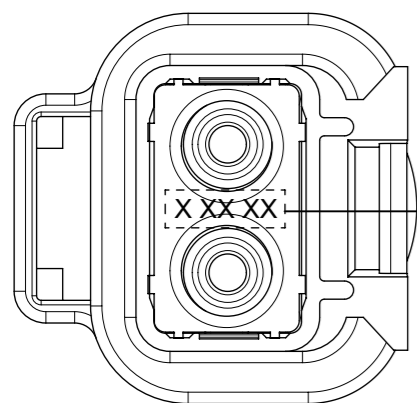
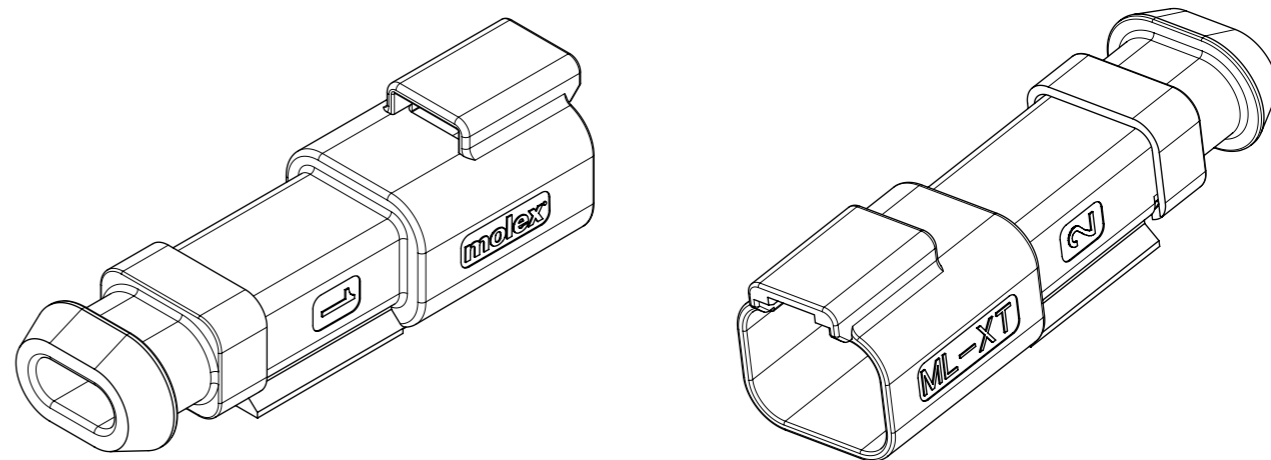
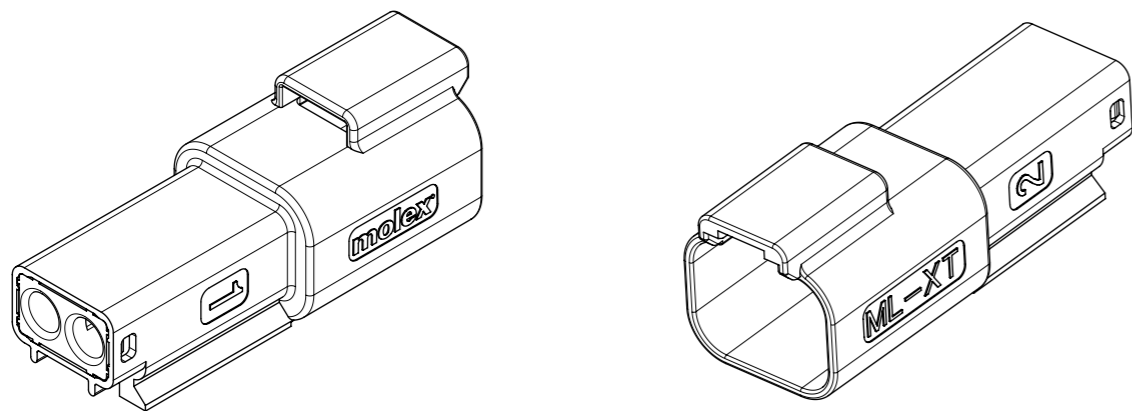


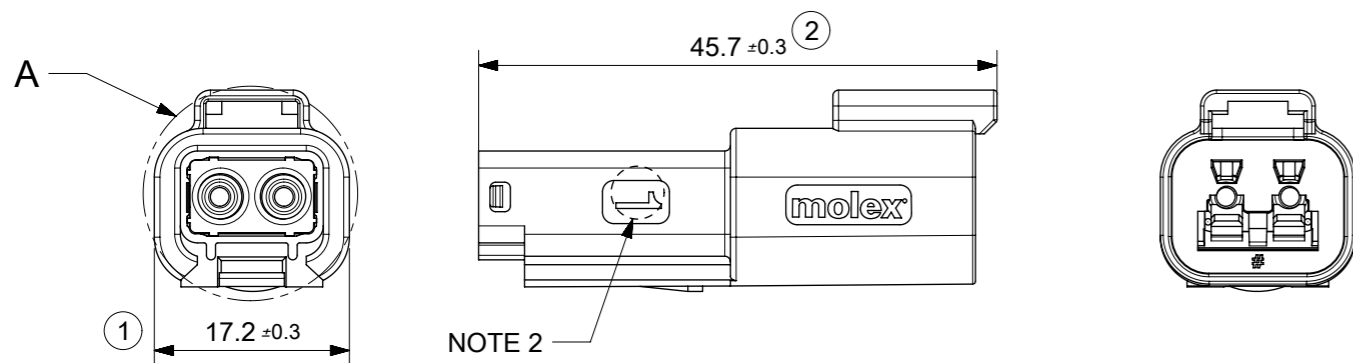
2CCT RECEPTACLE CONNECTOR

2CCT RECEPTACLE CONNECTOR WITH HEATSHRINK HOUSING ULTRASONICALLY WELDED IN PLACE



DATE CODE: X XX XX
 X — DAY: 1- 7
 X — WEEK: 01 - 52
 X — YEAR: 00 - 99
 # — MACHINE NO. 1
 EXAMPLE: 11315 = DAY 1, WEEK 13, YEAR 15
 i.e. 23rd OF MARCH 2015

(ROTATED 90°)
 DETAIL A
 SCALE 3:1

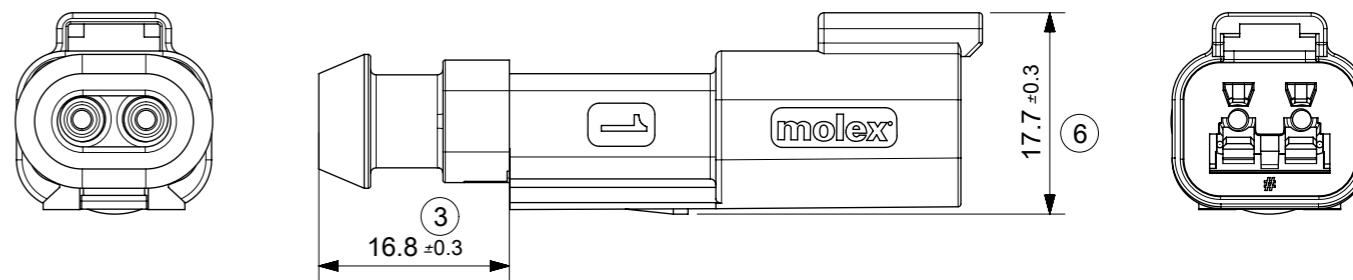
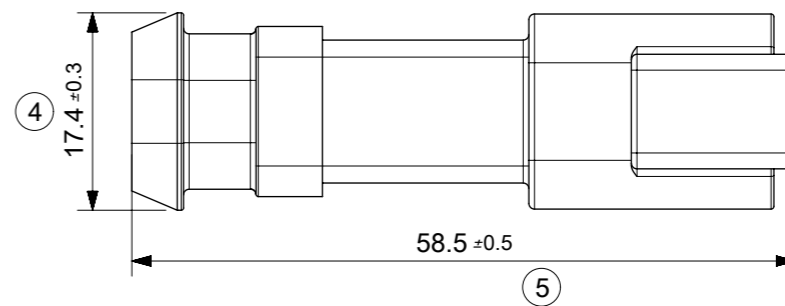


NOTE 2

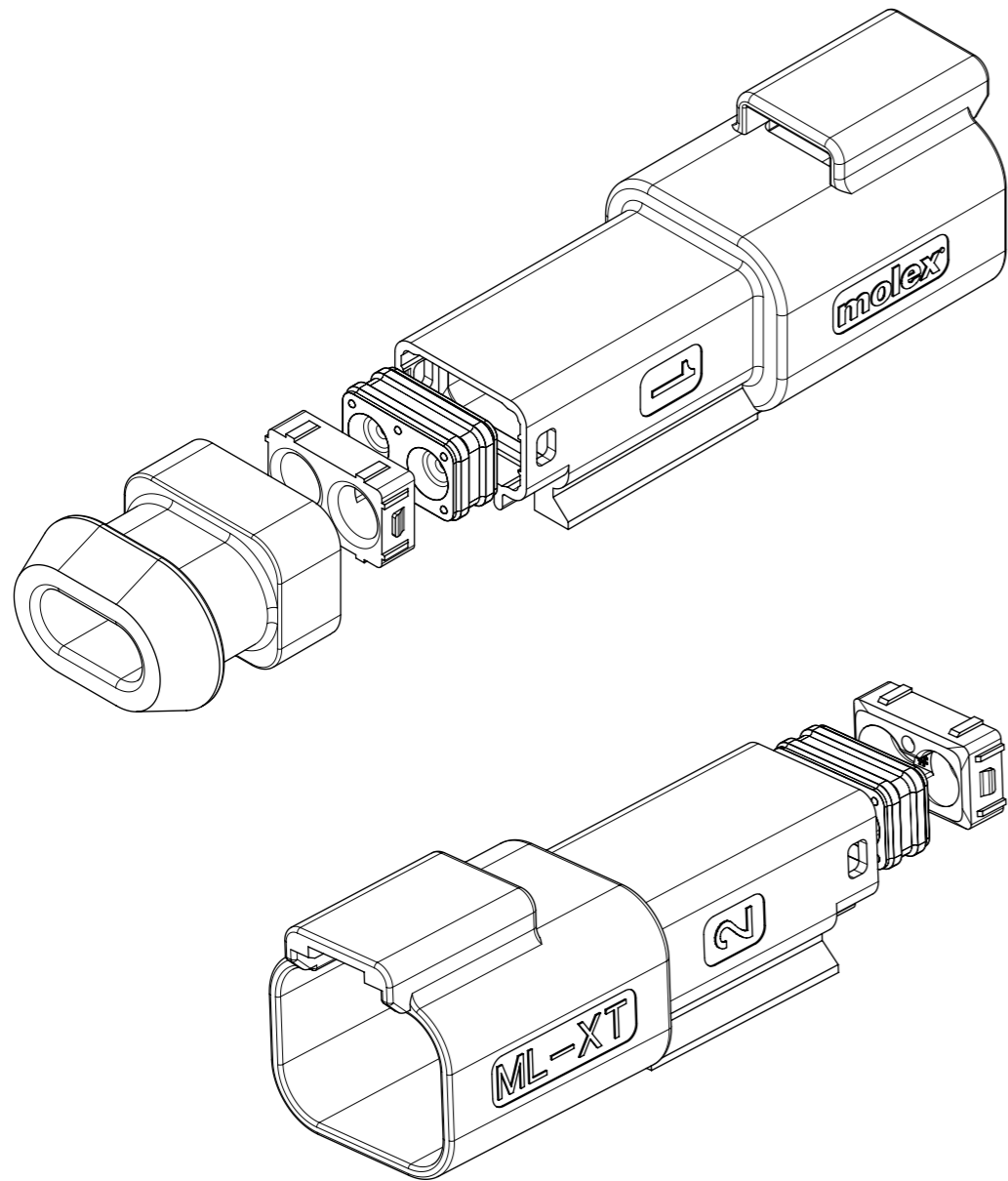
NOTES:

1. MATERIAL
 HOUSING: NYLON 30%GF
 BACK SEAL: HIGH CONSISTENCY RUBBER
2. CIRCUIT IDENTIFICATION
3. JACKET RANGE LARGE = 2.7mm - 3.6mm (SEAL COLOUR: LIGHT BLUE)
 JACKET RANGE SMALL = 1.35mm - 3.05mm (SEAL COLOUR: BURNT ORANGE)
4. SEE SHEET 3 FOR FINAL PART NUMBER DESIGNATION
5. SEE 934430010 PSP FOR PRODUCT SPECIFICATION
6. SEE 934430002 PSK FOR PACKAGING SPECIFICATION

LAST INSPECTION NUMBER: 6
 INSPECTION NUMBERS 1-50 RESERVED FOR SHEET 2



SYMBOLS		THIS DRAWING CONTAINS INFORMATION THAT IS PROPRIETARY TO MOLEX ELECTRONIC TECHNOLOGIES, LLC AND SHOULD NOT BE USED WITHOUT WRITTEN PERMISSION	
▽ = 0	mm	SCALE	2:1
▽ = 0	GENERAL TOLERANCES (UNLESS SPECIFIED)		
▽ = 0	ANGULAR TOL ± 2.0°		
▽ = 0	4 PLACES ±	CURRENT REV DESC: SEE LONG TEXT	
▽ = 0	3 PLACES ±	EC NO: 605643	
▽ = 0	2 PLACES ± 0.1	DRWN: JFLETCHER 2017/07/31	
▽ = 0	1 PLACE ± 0.2	CHK'D: AJOBRIEN 2018/10/15	
□ = 0	0 PLACES ±	APPR: STGRIFFIN 2018/10/16	
■ = 0	DRAFT WHERE APPLICABLE MUST REMAIN WITHIN DIMENSIONS		
▽ = 0	THIRD ANGLE PROJECTION		
DRAWING		SERIES	93443
A3-SIZE		MATERIAL NUMBER	SEE CHART
CUSTOMER		GENERAL MARKET	
DOCUMENT NUMBER		934430010	DOC TYPE DOC PART REVISION
PSD		000	B
SHEET NUMBER		2 OF 9	



2CCT RECEPTACLE CONNECTOR

SERIES NO. 93444

CIRCUIT SIZE
1 = 2CCT

ASSEMBLY OPTIONS

- 1 = RECEP ASSEMBLY FOR WIRE JACKET RANGE \varnothing 1.35mm - 3.05mm (NOTE 2)
- 2 = RECEP ASSEMBLY FOR WIRE JACKET RANGE: \varnothing 2.7mm - 3.6mm (NOTE 2)
- 5 = RECEP ASSEMBLY & HEATSHR FOR WIRE JACKET RANGE: \varnothing 1.35mm - 3.05mm (NOTE 3)
- 6 = RECEP ASSEMBLY & HEATSHR FOR WIRE JACKET RANGE: \varnothing 2.7mm - 3.6mm (NOTE 3)

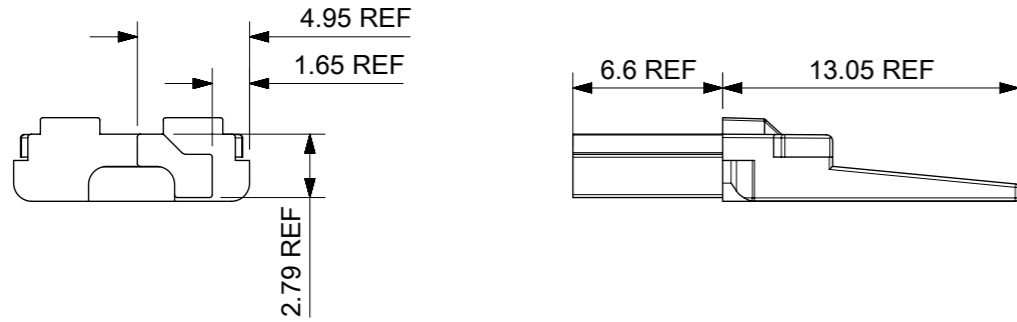
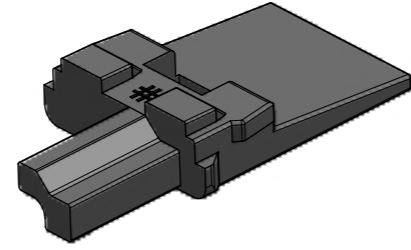
- COLOUR
- 01 = BLACK
 - 02 = GREY
 - 03 = GREEN
 - 04 = BLUE
 - 05 = YELLOW
 - 06 = WHITE
 - 07 = BROWN
 - 08 = ORANGE
 - 09 = RED

EXAMPLE:
2CCT RECEP BLACK WITH LARGE SEAL (NOTE 4), AND HEATSHRINK = 93444-1601

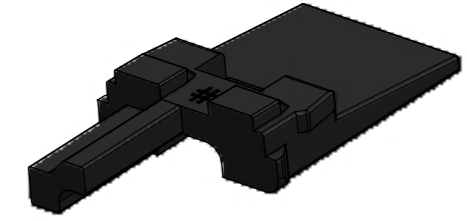
- Notes:
1. SEE SHEET 2 FOR UNSPECIFIED NOTES AND DIMENSIONS
 2. BACK COVER COLOUR: BLACK
 3. HEATSHRINK COLOUR: BLACK
 4. JACKET RANGE LARGE = 2.7mm - 3.6mm (SEAL COLOUR: LIGHT BLUE)
JACKET RANGE SMALL = 1.35mm - 3.05mm (SEAL COLOUR: BURNT ORANGE)

SYMBOLS	THIS DRAWING CONTAINS INFORMATION THAT IS PROPRIETARY TO MOLEX ELECTRONIC TECHNOLOGIES, LLC AND SHOULD NOT BE USED WITHOUT WRITTEN PERMISSION		CURRENT REV DESC: SEE LONG TEXT			molex			
	DIMENSION UNITS	SCALE							2CCT ML-XT CV CONNECTOR
	$\nabla = 0$	mm	2:1	EC NO: 605643			DOCUMENT NUMBER		
	$\nabla = 0$	GENERAL TOLERANCES (UNLESS SPECIFIED)		DRWN: JFLETCHER 2017/07/31			934430010		
$\nabla = 0$	ANGULAR TOL $\pm 2.0^\circ$		CHK'D: AJOBRIEN 2018/10/15			DOC TYPE DOC PART REVISION			
$\nabla = 0$	4 PLACES \pm		APPR: STGRIFFIN 2018/10/16			PSD 000 B			
$\nabla = 0$	3 PLACES \pm		INITIAL REVISION:			MATERIAL NUMBER			
$\nabla = 0$	2 PLACES ± 0.1		DRWN: KREILLY 2015/06/12			CUSTOMER			
$\nabla = 0$	1 PLACE ± 0.2		APPR: JDWALLACE 2015/09/15			GENERAL MARKET			
$\nabla = 0$	0 PLACES \pm		DRAFT WHERE APPLICABLE MUST REMAIN WITHIN DIMENSIONS			SEE CHART			
$\nabla = 0$	THIRD ANGLE PROJECTION		DRAWING		SERIES		SHEET NUMBER		
$\nabla = 0$	A3-SIZE		93443		3 OF 9				

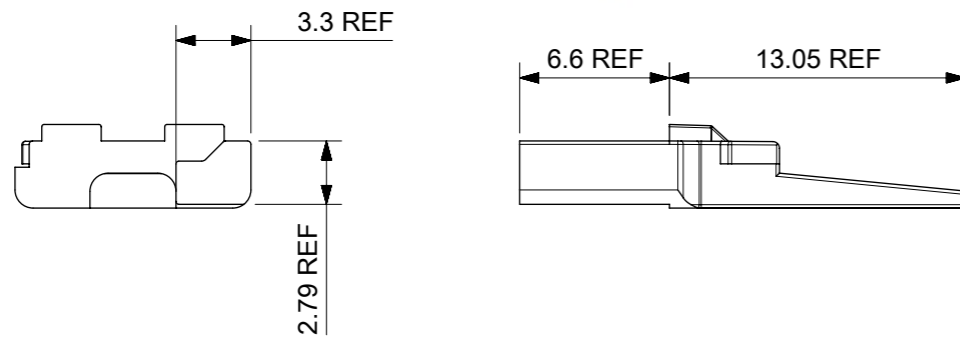
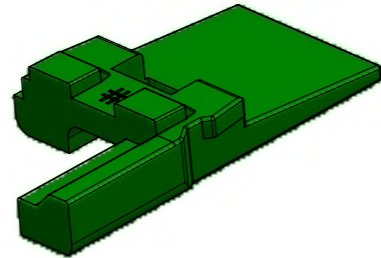
934471012 (KEY A)
COLOUR GREY



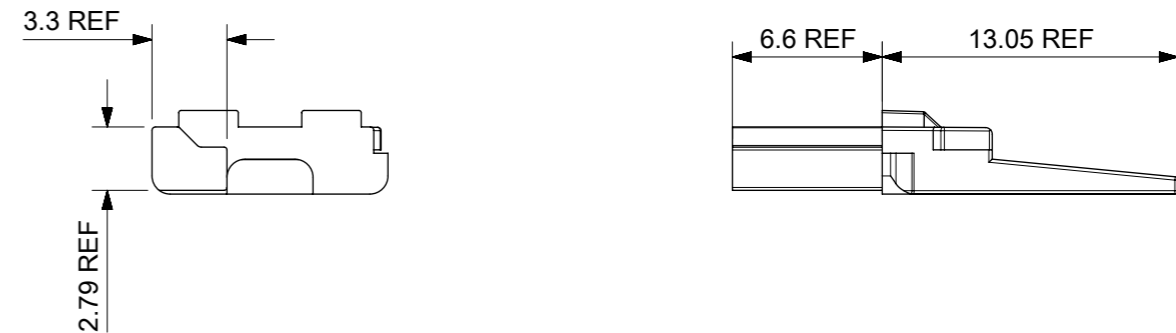
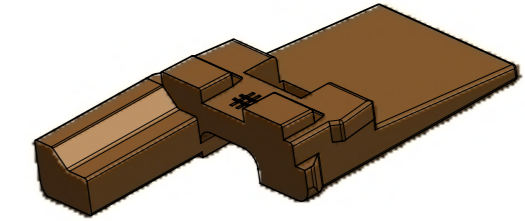
934471021 (KEY B)
COLOUR BLACK



934471033 (KEY C)
COLOUR GREEN



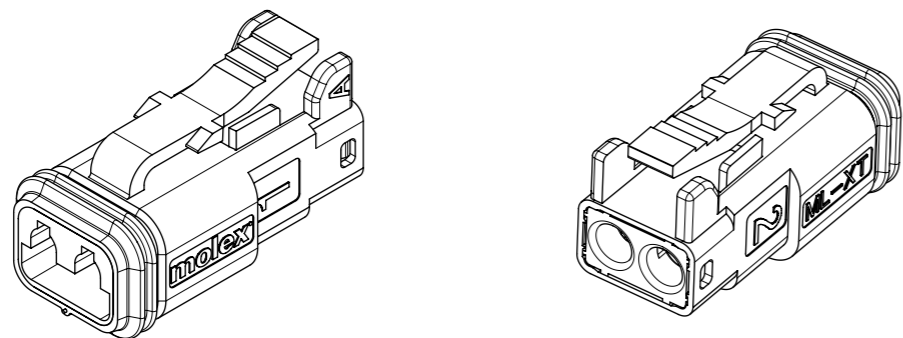
934471047 (KEY D)
COLOUR BROWN



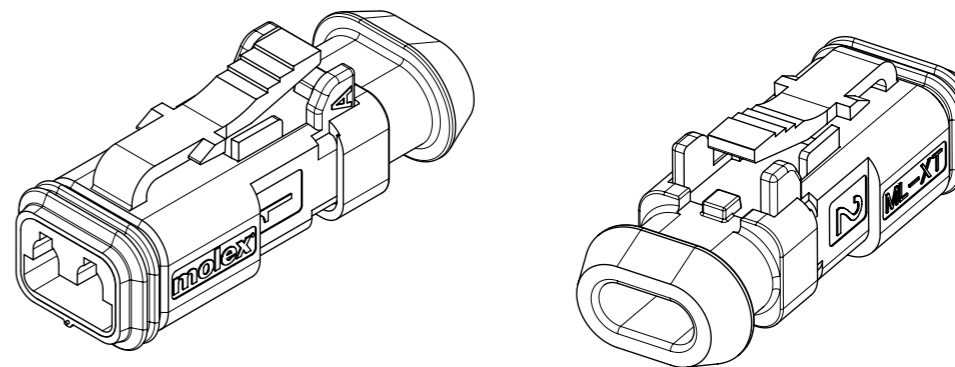
NOTES:
1. MATERIAL PA66 30%GF
2. SEE SHEET 4 FOR UNSPECIFIED NOTES & DIMENSIONS

SYMBOLS	THIS DRAWING CONTAINS INFORMATION THAT IS PROPRIETARY TO MOLEX ELECTRONIC TECHNOLOGIES, LLC AND SHOULD NOT BE USED WITHOUT WRITTEN PERMISSION		CURRENT REV DESC: SEE LONG TEXT			molex		
	DIMENSION UNITS	SCALE						
▽ = 0	mm	2:1	934430010	PSD	000	B	2CCT ML-XT CV CONNECTOR	
▽ = 0	GENERAL TOLERANCES (UNLESS SPECIFIED)		EC NO: 605643			PRODUCT CUSTOMER DRAWING		
▽ = 0	ANGULAR TOL ± 2.0°		DRWN: JFLETCHER 2017/07/31					
▽ = 0	4 PLACES ±		CHK'D: AJOBRIEN 2018/10/15					
▽ = 0	3 PLACES ±		APPR: STGRIFFIN 2018/10/16					
▽ = 0	2 PLACES ± 0.1		INITIAL REVISION:					
▽ = 0	1 PLACE ± 0.2		DRWN: KREILLY 2015/06/12					
▽ = 0	0 PLACES ±		APPR: JDWALLACE 2015/09/15					
□ = 0	DRAFT WHERE APPLICABLE MUST REMAIN WITHIN DIMENSIONS		THIRD ANGLE PROJECTION	DRAWING	SERIES	MATERIAL NUMBER	CUSTOMER	SHEET NUMBER
▽ = 0				A3-SIZE	93443	SEE CHART	GENERAL MARKET	5 OF 9

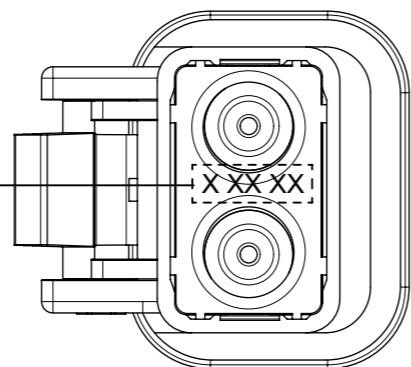
2CCT PLUG CONNECTOR



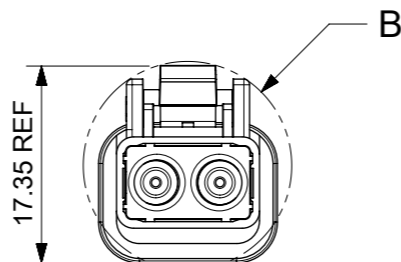
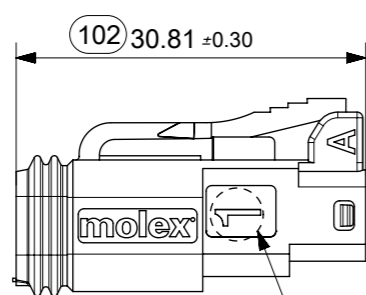
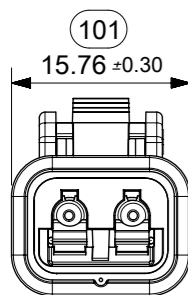
2CCT PLUG CONNECTOR WITH HEATSHRINK HOUSING ULTRASONICALLY WELDED IN PLACE



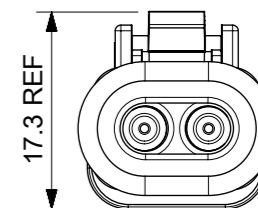
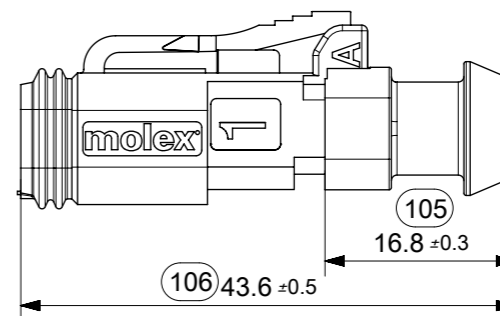
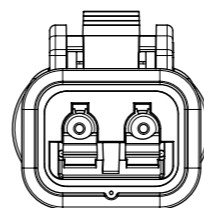
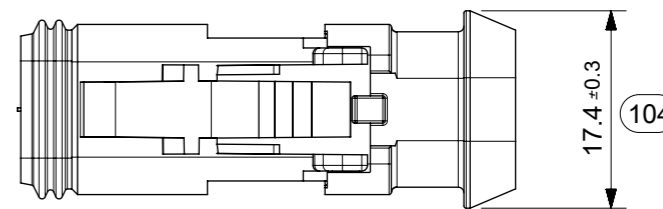
DATE CODE: X XX XX
 X — DAY: 1 - 7
 X — WEEK: 01 - 52
 X — YEAR: 00 - 99
 # — MACHINE NO. 1
 EXAMPLE: 11315 = DAY 1, WEEK 13, YEAR 15
 i.e. 23RD OF MARCH 2015



(ROTATED 90°)
 DETAIL B
 SCALE 3:1



NOTE 2

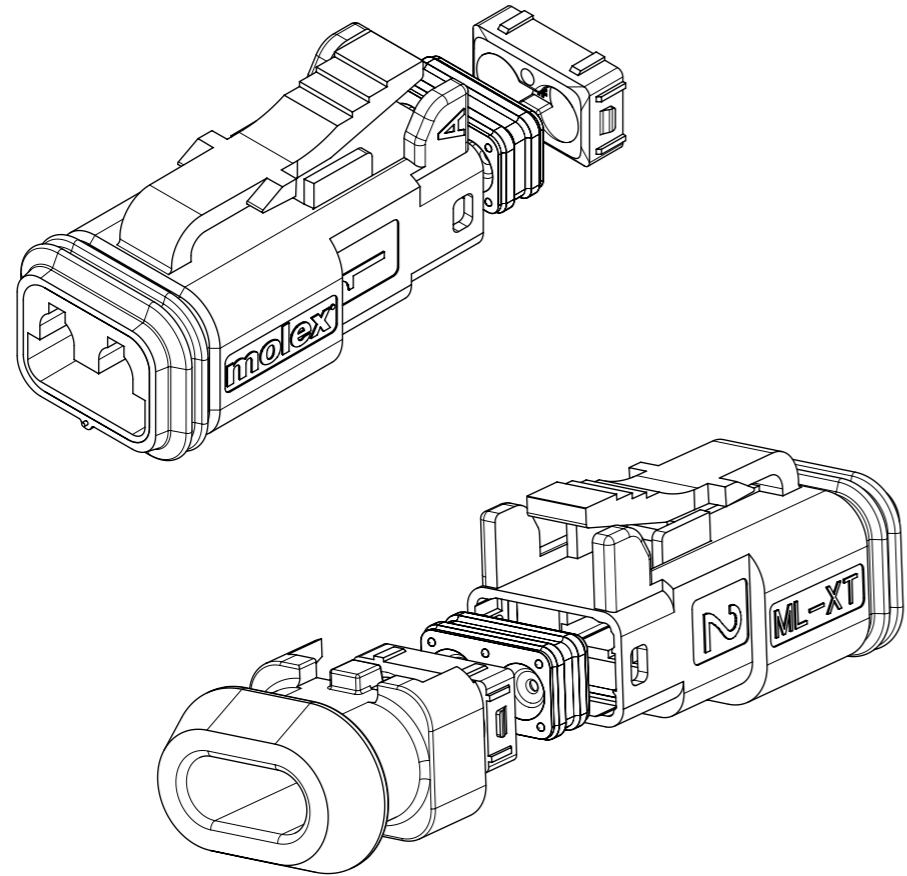


NOTES

- MATERIAL
 HOUSING: NYLON 30%GF
 PLUG SEAL: SILICONE RUBBER
 BACK SEAL: HIGH CONSISTENCY RUBBER
- CIRCUIT IDENTIFICATION
- JACKET RANGE LARGE = 2.7mm - 3.6mm (SEAL COLOUR: LIGHT BLUE)
 JACKET RANGE SMALL = 1.35mm - 3.05mm (SEAL COLOUR: BURNT ORANGE)
- SEE SHEET 7 FOR FINAL PART NUMBER DESIGNATION

INSPECTION NUMBERS 101-150 RESERVED FOR SHEET 6
 LAST INSPECTION NUMBER 106.
 INSPECTION NUMBERS 103 & 107 DELETED.

SYMBOLS	THIS DRAWING CONTAINS INFORMATION THAT IS PROPRIETARY TO MOLEX ELECTRONIC TECHNOLOGIES, LLC AND SHOULD NOT BE USED WITHOUT WRITTEN PERMISSION		CURRENT REV DESC: SEE LONG TEXT			molex		
	DIMENSION UNITS	SCALE						
▽ = 0	mm	2:1				2CCT ML-XT CV CONNECTOR		
▽ = 0	GENERAL TOLERANCES (UNLESS SPECIFIED)					PRODUCT CUSTOMER DRAWING		
▽ = 0	ANGULAR TOL ± 2.0°					DOCUMENT NUMBER		
▽ = 0	4 PLACES ±		EC NO: 605643			934430010		
▽ = 0	3 PLACES ±		DRWN: JFLETCHER 2017/07/31			DOC TYPE DOC PART REVISION		
▽ = 0	2 PLACES ± 0.1		CHK'D: AJOBRIEN 2018/10/15			PSD 000 B		
▽ = 0	1 PLACE ± 0.2		APPR: STGRIFFIN 2018/10/16					
▽ = 0	0 PLACES ±		INITIAL REVISION:					
□ = 0	DRAFT WHERE APPLICABLE MUST REMAIN WITHIN DIMENSIONS		DRWN: KREILLY 2015/06/12					
▽ = 0			APPR: JDWALLACE 2015/09/15					
		THIRD ANGLE PROJECTION	DRAWING	SERIES	MATERIAL NUMBER	CUSTOMER	SHEET NUMBER	
			A3-SIZE	93443	SEE CHART	GENERAL MARKET	6 OF 9	



2CCT PLUG CONNECTOR

SERIES NO. 93445 1 - --

CIRCUIT SIZE
1 = 2CCT

KEYING/ASSY OPTIONS

- 1 = PLUG ASSEMBLY FOR WIRE JACKET RANGE \varnothing 1.35mm - 3.05mm (NOTE 2)
- 2 = PLUG ASSEMBLY FOR WIRE JACKET RANGE: \varnothing 2.7mm - 3.6mm (NOTE 2)
- 5 = PLUG ASSEMBLY & HEATSHR FOR WIRE JACKET RANGE: \varnothing 1.35mm - 3.05mm (NOTE 3)
- 6 = PLUG ASSEMBLY & HEATSHR FOR WIRE JACKET RANGE: \varnothing 2.7mm - 3.6mm (NOTE 3)

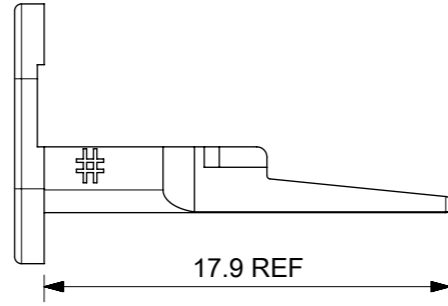
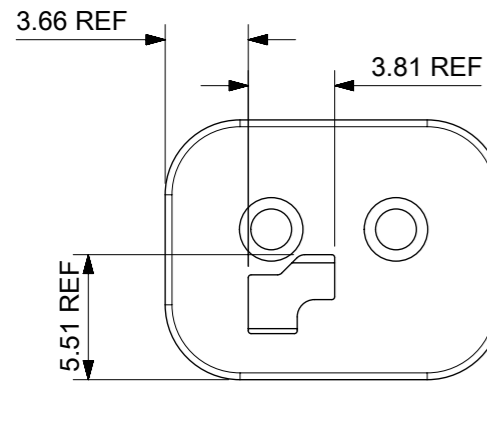
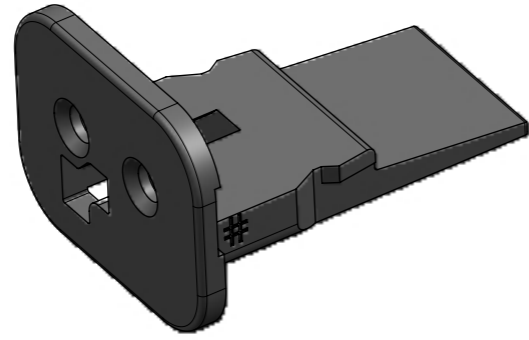
- COLOUR
- 01 = BLACK
 - 02 = GREY
 - 03 = GREEN
 - 04 = BLUE
 - 05 = YELLOW
 - 06 = WHITE
 - 07 = BROWN
 - 08 = ORANGE
 - 09 = RED

EXAMPLE:
2CCT PLUG BLACK WITH LARGE SEAL (NOTE 4), AND HEATSHRINK = 93445-1601

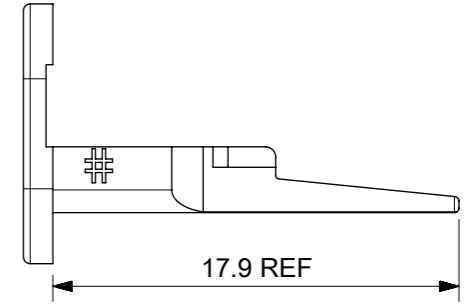
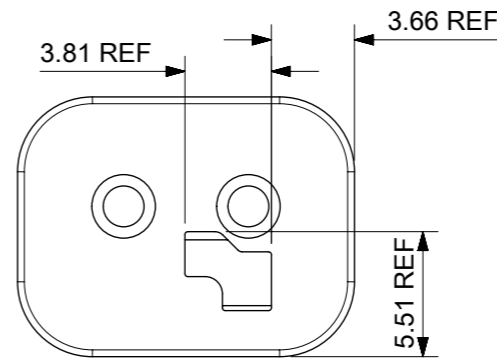
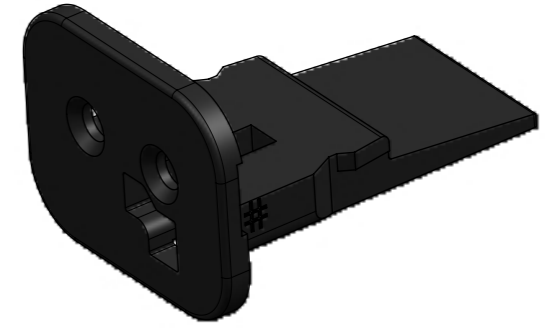
- Notes:
1. SEE SHEET 2 FOR UNSPECIFIED NOTES AND DIMENSIONS
 2. BACK COVER COLOUR: BLACK
 3. HEATSHRINK COLOUR: BLACK
 4. JACKET RANGE LARGE = 2.7mm - 3.6mm (SEAL COLOUR: LIGHT BLUE)
JACKET RANGE SMALL = 1.35mm - 3.05mm (SEAL COLOUR: BURNT ORANGE)

SYMBOLS	THIS DRAWING CONTAINS INFORMATION THAT IS PROPRIETARY TO MOLEX ELECTRONIC TECHNOLOGIES, LLC AND SHOULD NOT BE USED WITHOUT WRITTEN PERMISSION		CURRENT REV DESC: SEE LONG TEXT			molex			
	DIMENSION UNITS	SCALE							2CCT ML-XT CV CONNECTOR
	$\nabla = 0$	mm	2:1	GENERAL TOLERANCES (UNLESS SPECIFIED)			PRODUCT CUSTOMER DRAWING		
	$\nabla = 0$	ANGULAR TOL $\pm 2.0^\circ$		EC NO: 605643			DOCUMENT NUMBER		
$\nabla = 0$	4 PLACES \pm		DRWN: JFLETCHER 2017/07/31			934430010			
$\nabla = 0$	3 PLACES \pm		CHK'D: AJOBRIEN 2018/10/15			DOC TYPE DOC PART REVISION			
$\nabla = 0$	2 PLACES ± 0.1		APPR: STGRIFFIN 2018/10/16			PSD 000 B			
$\nabla = 0$	1 PLACE ± 0.2		INITIAL REVISION:			MATERIAL NUMBER			
$\nabla = 0$	0 PLACES \pm		DRWN: KREILLY 2015/06/12			CUSTOMER			
$\nabla = 0$	DRAFT WHERE APPLICABLE MUST REMAIN WITHIN DIMENSIONS		APPR: JDWALLACE 2015/09/15			GENERAL MARKET			
$\nabla = 0$	THIRD ANGLE PROJECTION		DRAWING			SHEET NUMBER			
$\nabla = 0$	A3-SIZE		SERIES			7 OF 9			
$\nabla = 0$	93443		SEE CHART						

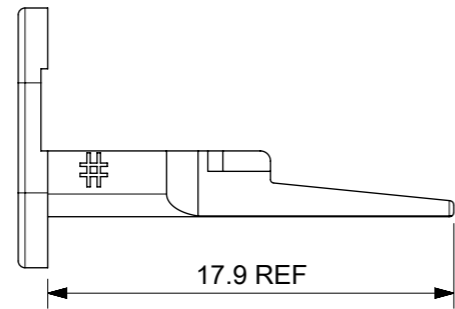
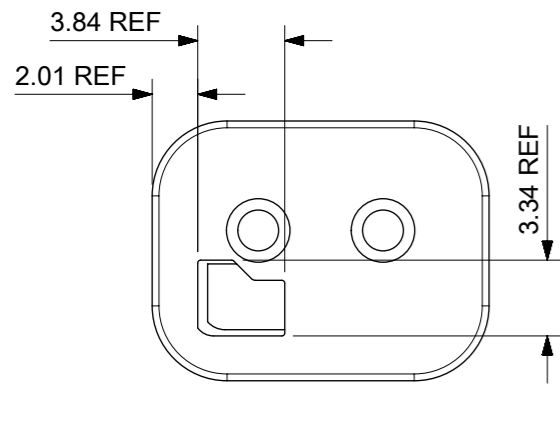
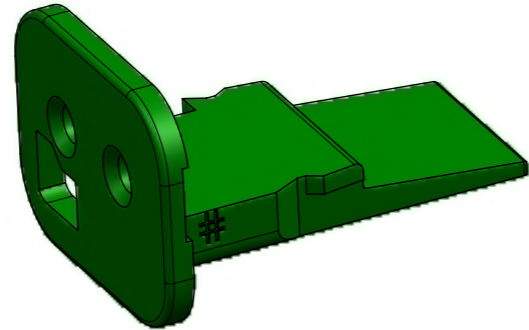
934481012 (KEY A)
COLOUR GREY



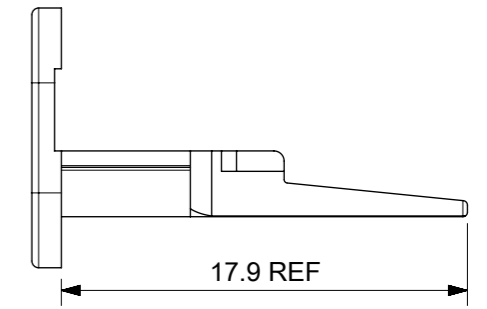
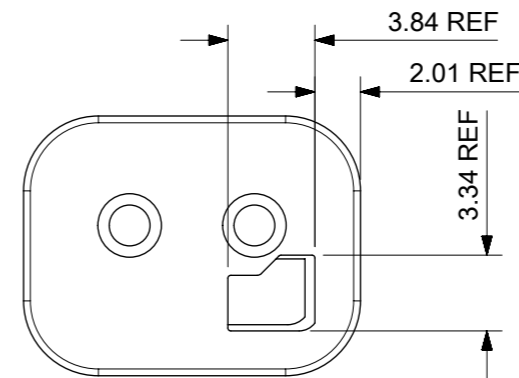
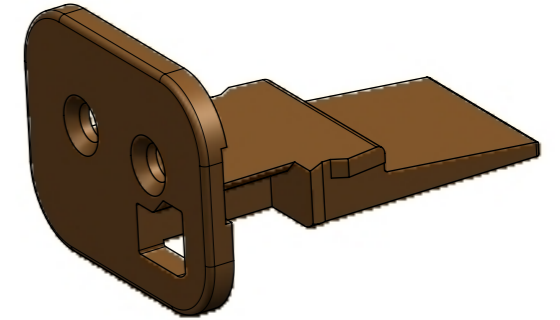
934481021 (KEY B)
COLOUR BLACK



934481033 (KEY C)
COLOUR GREEN



934481047 (KEY D)
COLOUR BROWN



NOTES:
1. MATERIAL PA66 30%GF
2. SEE SHEET 8 FOR UNSPECIFIED NOTES & DIMENSIONS

SYMBOLS	THIS DRAWING CONTAINS INFORMATION THAT IS PROPRIETARY TO MOLEX ELECTRONIC TECHNOLOGIES, LLC AND SHOULD NOT BE USED WITHOUT WRITTEN PERMISSION		CURRENT REV DESC: SEE LONG TEXT			molex		
	DIMENSION UNITS	SCALE						
▽ = 0	mm	2:1	934430010	PSD	000	B	2CCT ML-Xt CV CONNECTOR	
▽ = 0	GENERAL TOLERANCES (UNLESS SPECIFIED)		EC NO: 605643			PRODUCT CUSTOMER DRAWING		
▽ = 0	ANGULAR TOL ± 2.0°		DRWN: JFLETCHER 2017/07/31					
▽ = 0	4 PLACES ±		CHK'D: AJOBRIEN 2018/10/15					
▽ = 0	3 PLACES ±		APPR: STGRIFFIN 2018/10/16					
▽ = 0	2 PLACES ± 0.1		INITIAL REVISION:					
▽ = 0	1 PLACE ± 0.2		DRWN: KREILLY 2015/06/12					
▽ = 0	0 PLACES ±		APPR: JDWALLACE 2015/09/15					
□ = 0	DRAFT WHERE APPLICABLE MUST REMAIN WITHIN DIMENSIONS		THIRD ANGLE PROJECTION	DRAWING	SERIES	MATERIAL NUMBER	CUSTOMER	SHEET NUMBER
▽ = 0				A3-SIZE	93443	SEE CHART	GENERAL MARKET	9 OF 9