

# Customer Information Sheet

DRAWING No.: M20-975XXXX

IF IN DOUBT - ASK



NOT TO SCALE

THIRD ANGLE PROJECTION

ALL DIMENSIONS IN mm

**NOTES:**

1. RECOMMENDED PCB MOUNTING HOLE SIZE =  $\varnothing 1.02 \pm 0.05$ mm.
2. ALL TOLERANCES ARE  $\pm 0.25$ mm UNLESS OTHERWISE STATED.
3. FOR COMPLETE SPECIFICATION, SEE COMPONENT SPECIFICATION C001XX (LATEST ISSUE).

**SPECIFICATION:**

**MATERIAL:**  
 MOULDING = PA6T UL94V-0, BLACK  
 PINS = BRASS

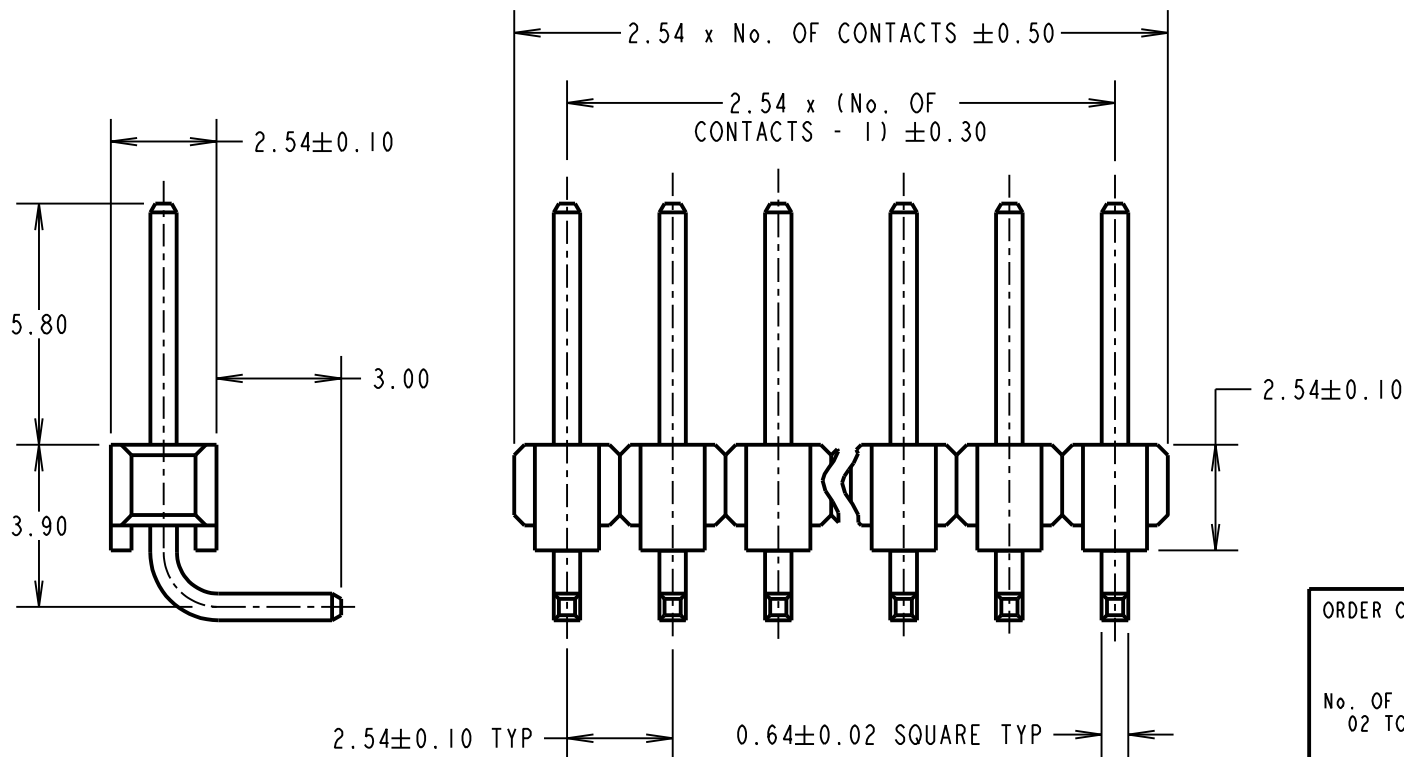
**FINISH:**  
 PINS (OVER NICKEL):  
 42 = GOLD ON CONTACT AREA,  
 100% TIN ON TAILS  
 46 = 100% TIN OVER NICKEL

**ELECTRICAL:**  
 CURRENT RATING = 3A MAX  
 CONTACT RESISTANCE =  $20m\Omega$  MAX  
 INSULATION RESISTANCE =  $1,000M\Omega$  MIN  
 DIELECTRIC STRENGTH = 500V AC

**MECHANICAL:**  
 DURABILITY = 300 OPERATIONS (GOLD),  
 50 OPERATIONS (TIN)

**ENVIRONMENTAL:**  
 TEMPERATURE RANGE =  $-40^{\circ}C$  TO  $+105^{\circ}C$

**PACKING:**  
 BAG



ORDER CODE:  
**M20-975XXXX**

No. OF CONTACTS: \_\_\_\_\_  
 02 TO 20, 25, 36, 40

FINISH: \_\_\_\_\_  
 42 = SELECTIVE GOLD + 100% TIN  
 46 = 100% TIN

MGP	15	14.12.18	21677
NAME	ISS.	DATE	C/NOTE
APPROVED: MGP			
CHECKED: SB			
DRAWN: J. CLAY			
CUSTOMER REF.:			
ASSEMBLY DRG:			

**HARWIN**

www.harwin.com  
 technical@harwin.com

THIS DRAWING AND ANY INFORMATION OR DESCRIPTIVE MATTER SET OUT HEREON ARE CONFIDENTIAL AND COPYRIGHT PROPERTY OF THE HARWIN GROUP AND MUST NOT BE DISCLOSED, LOANED, COPIED OR USED FOR MANUFACTURING, TENDERING OR FOR ANY OTHER PURPOSE WITHOUT THEIR WRITTEN PERMISSION.

**TOLERANCES**

~~Y =  $\pm 1$ mm~~  
~~X.X =  $\pm 0.50$ mm~~  
~~X.XX =  $\pm 0.10$ mm~~  
~~X.XXX =  $\pm 0.01$ mm~~

ANGLES =  $\pm 5^{\circ}$   
 UNLESS STATED

**MATERIAL:**

SEE ABOVE

**FINISH:** SEE ABOVE

**S/AREA:**

mm<sup>2</sup>

**TITLE:** 2.54mm PITCH SIL  
 HORIZONTAL PC TAIL  
 PIN HEADER ASSEMBLY

**DRAWING NUMBER:**

**M20-975XXXX**

SHT  
 2 OF 2