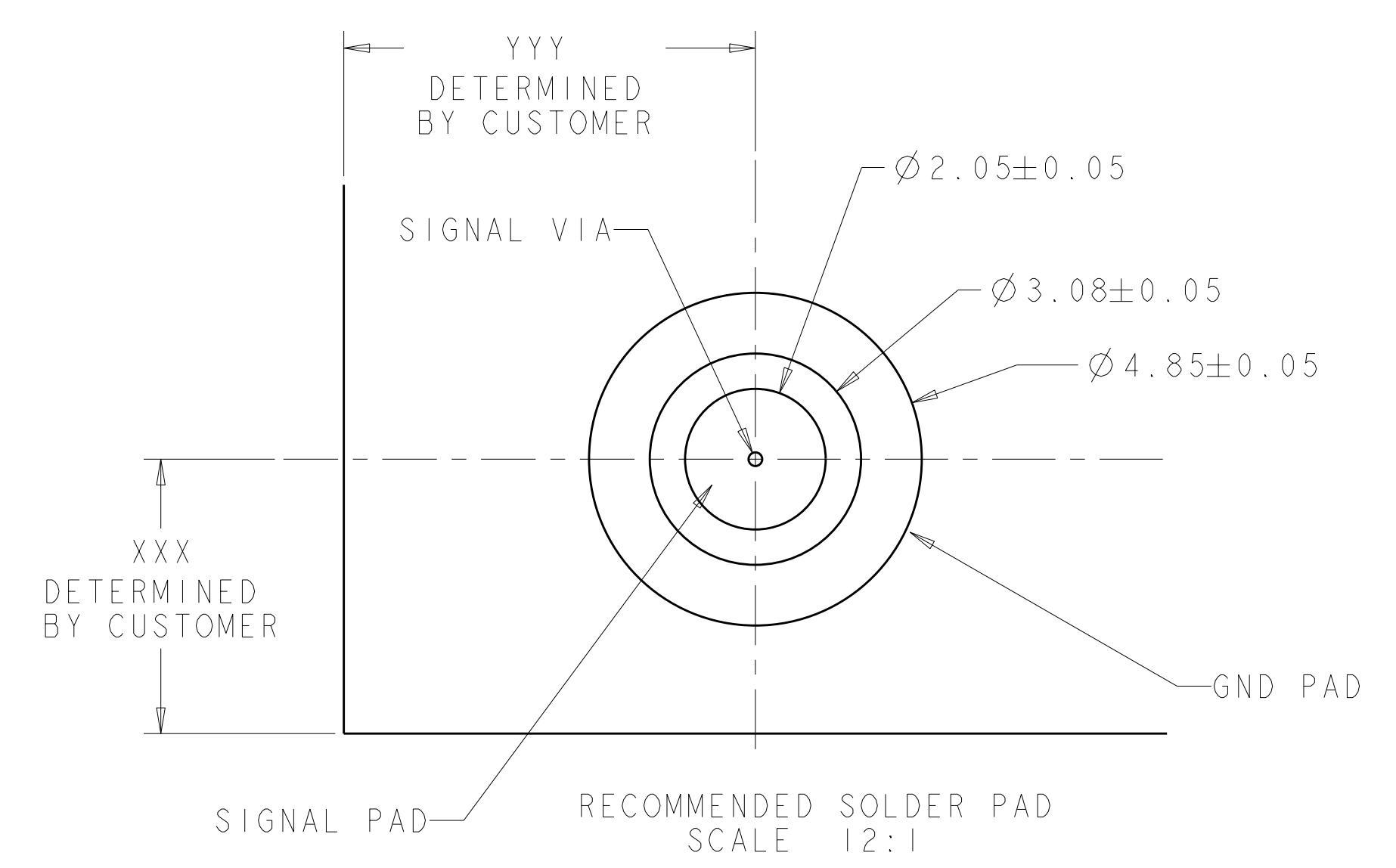
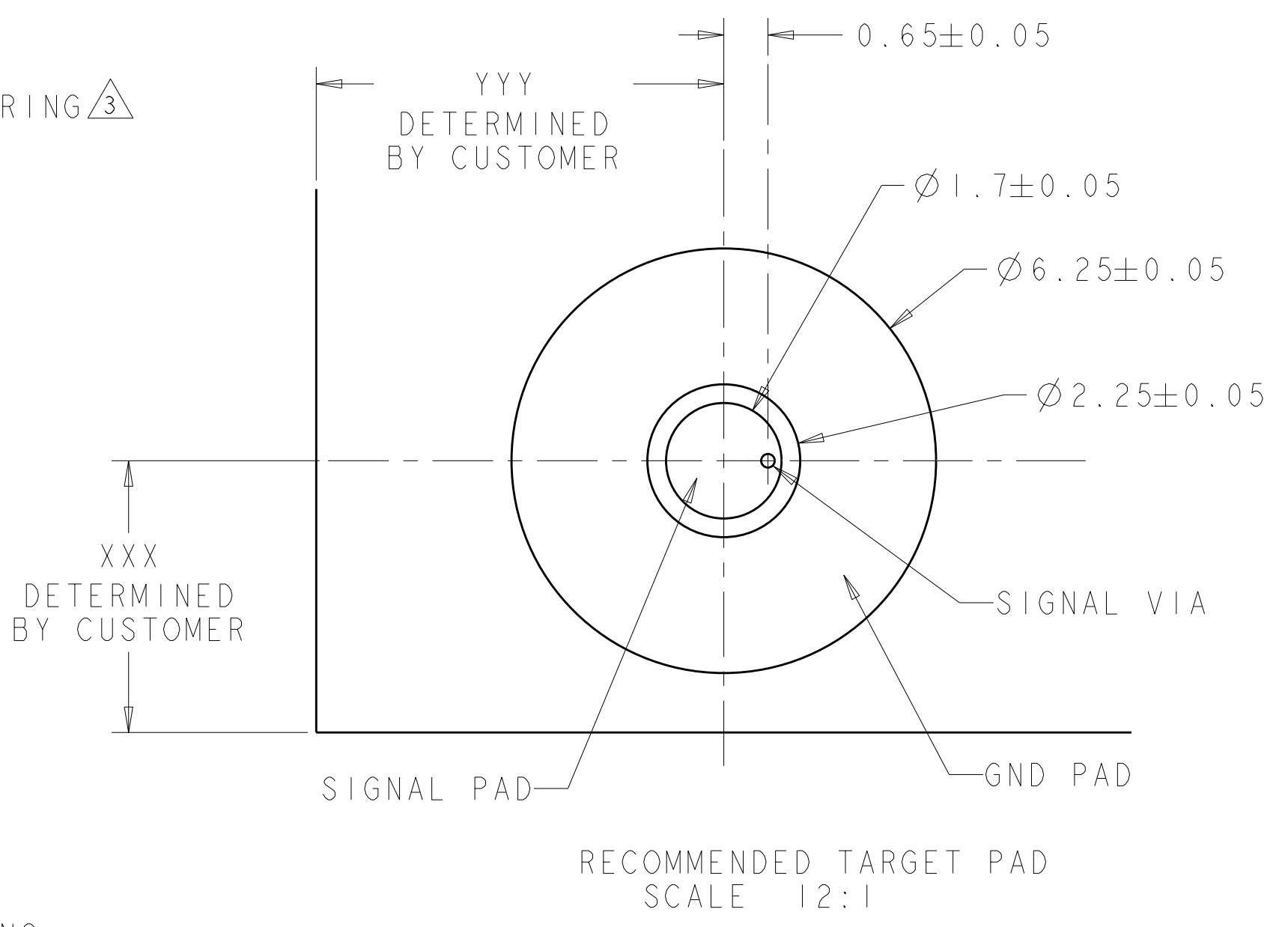
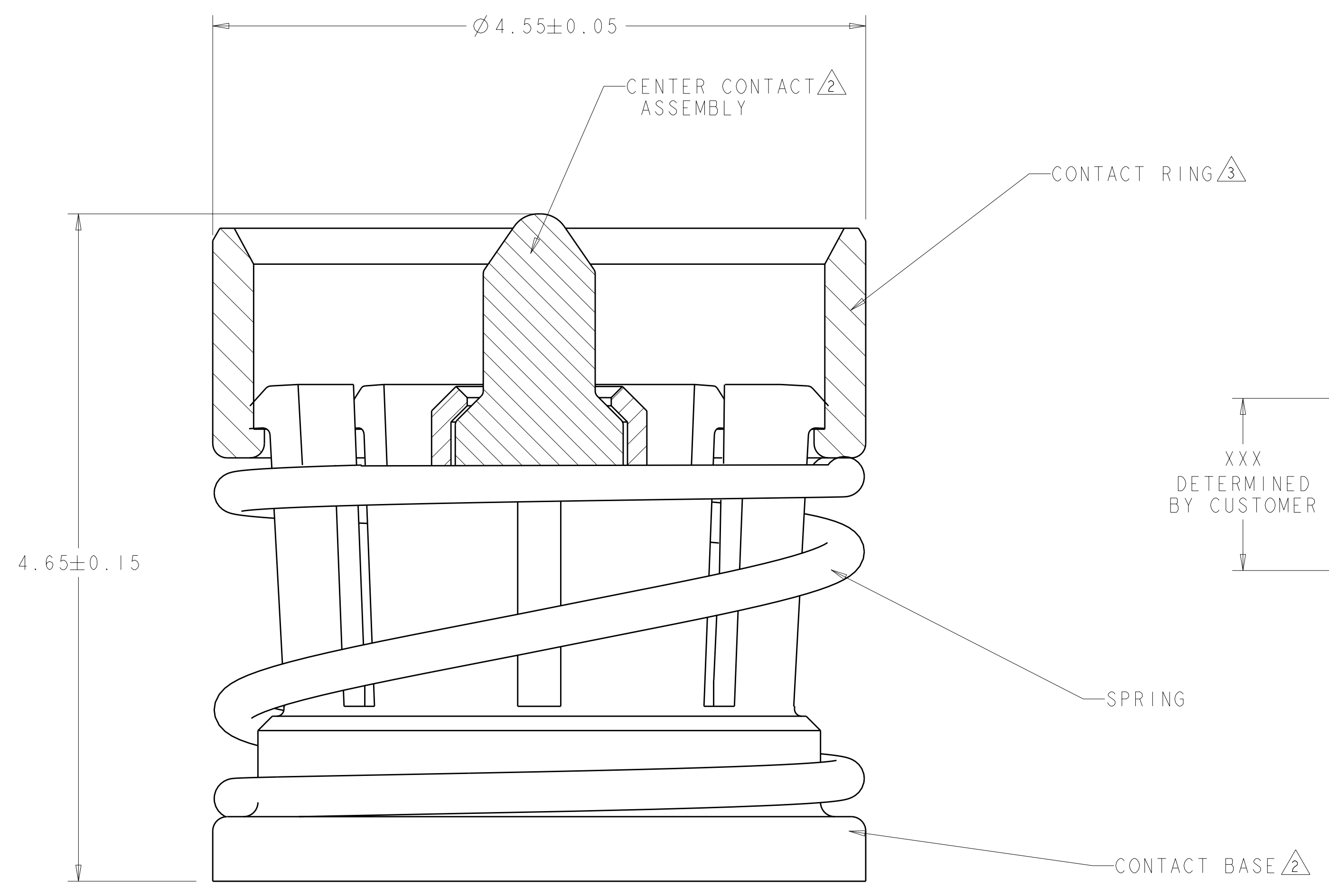
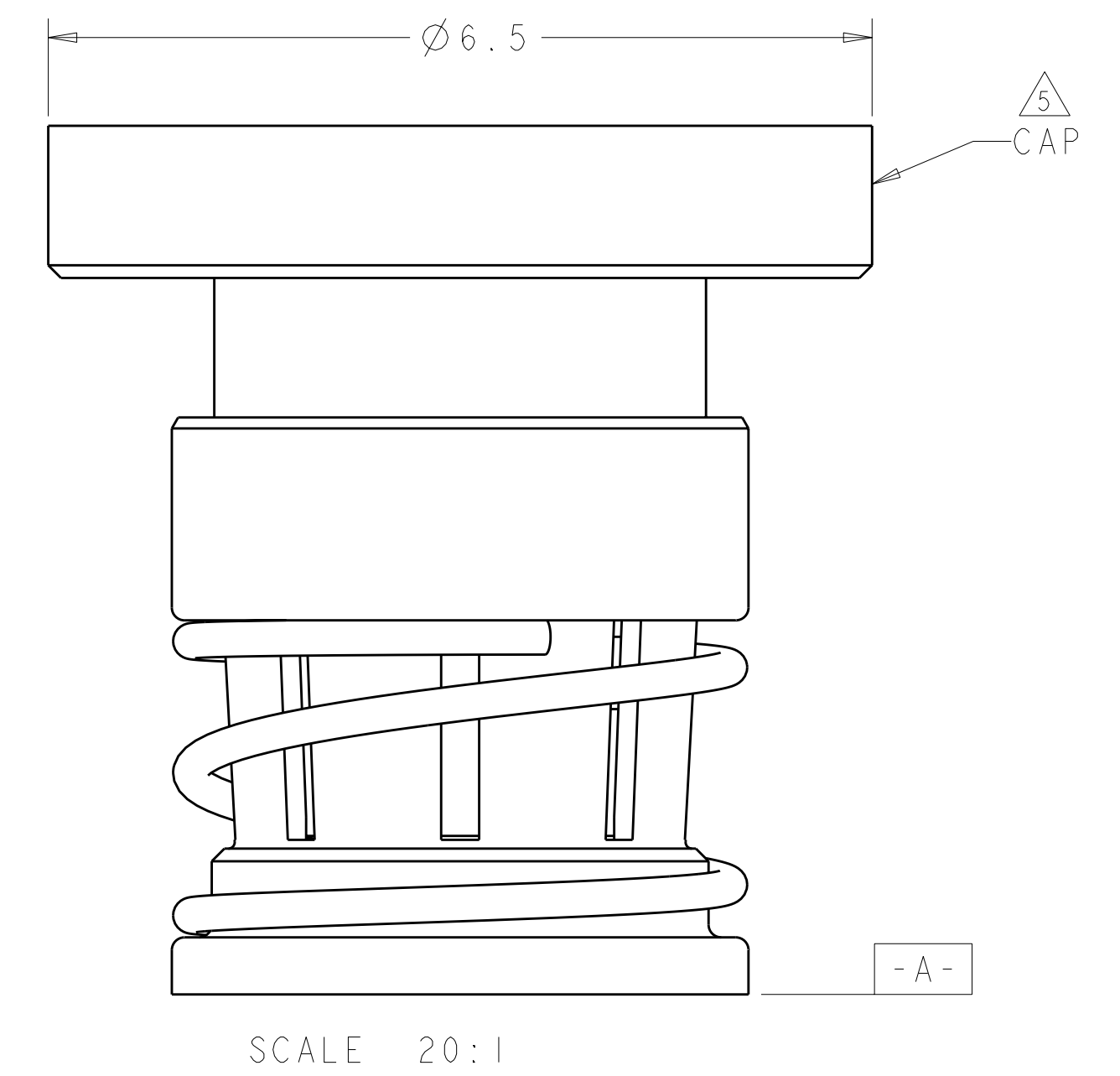
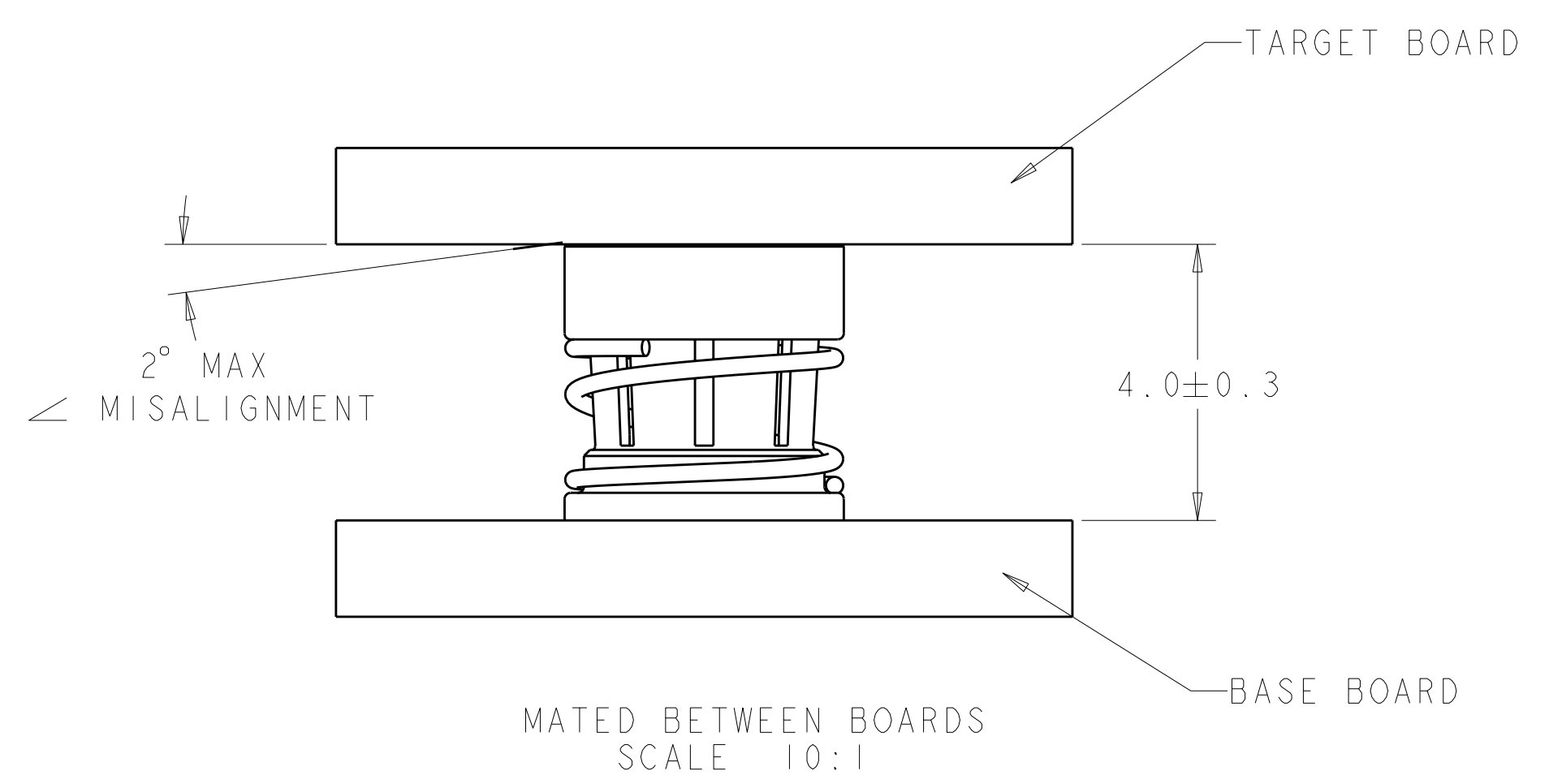
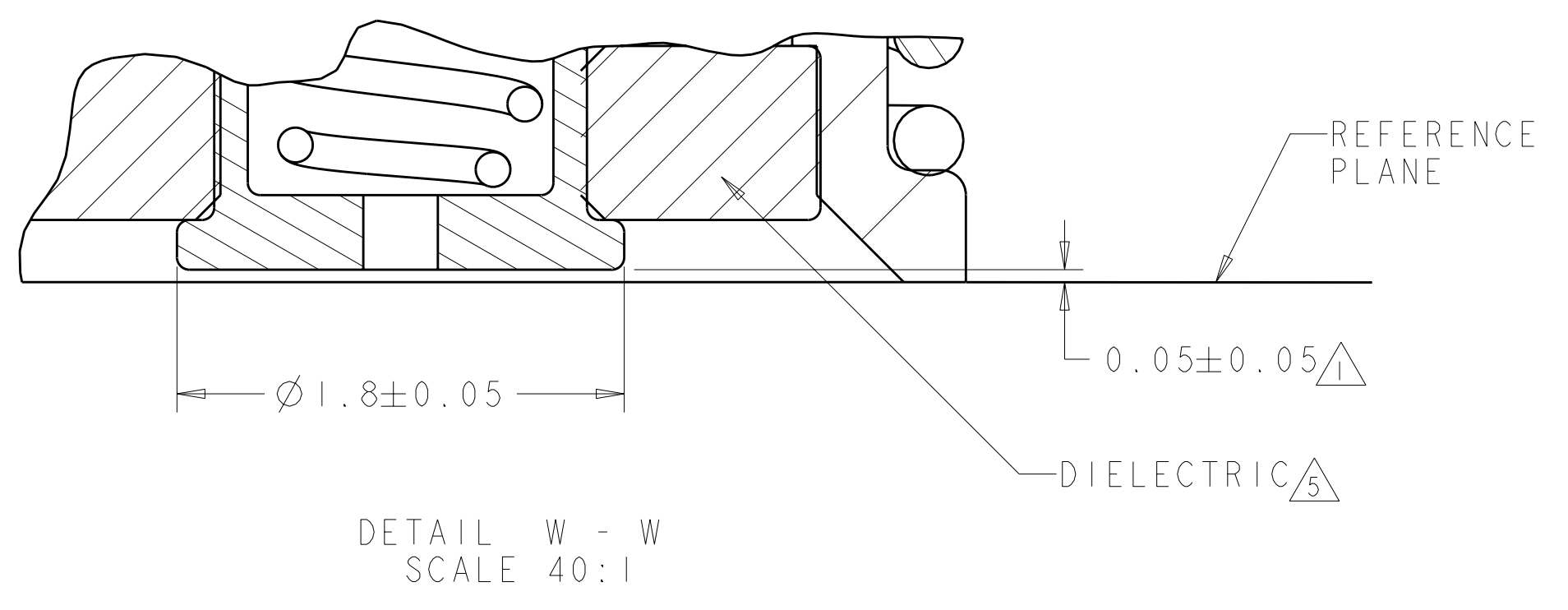
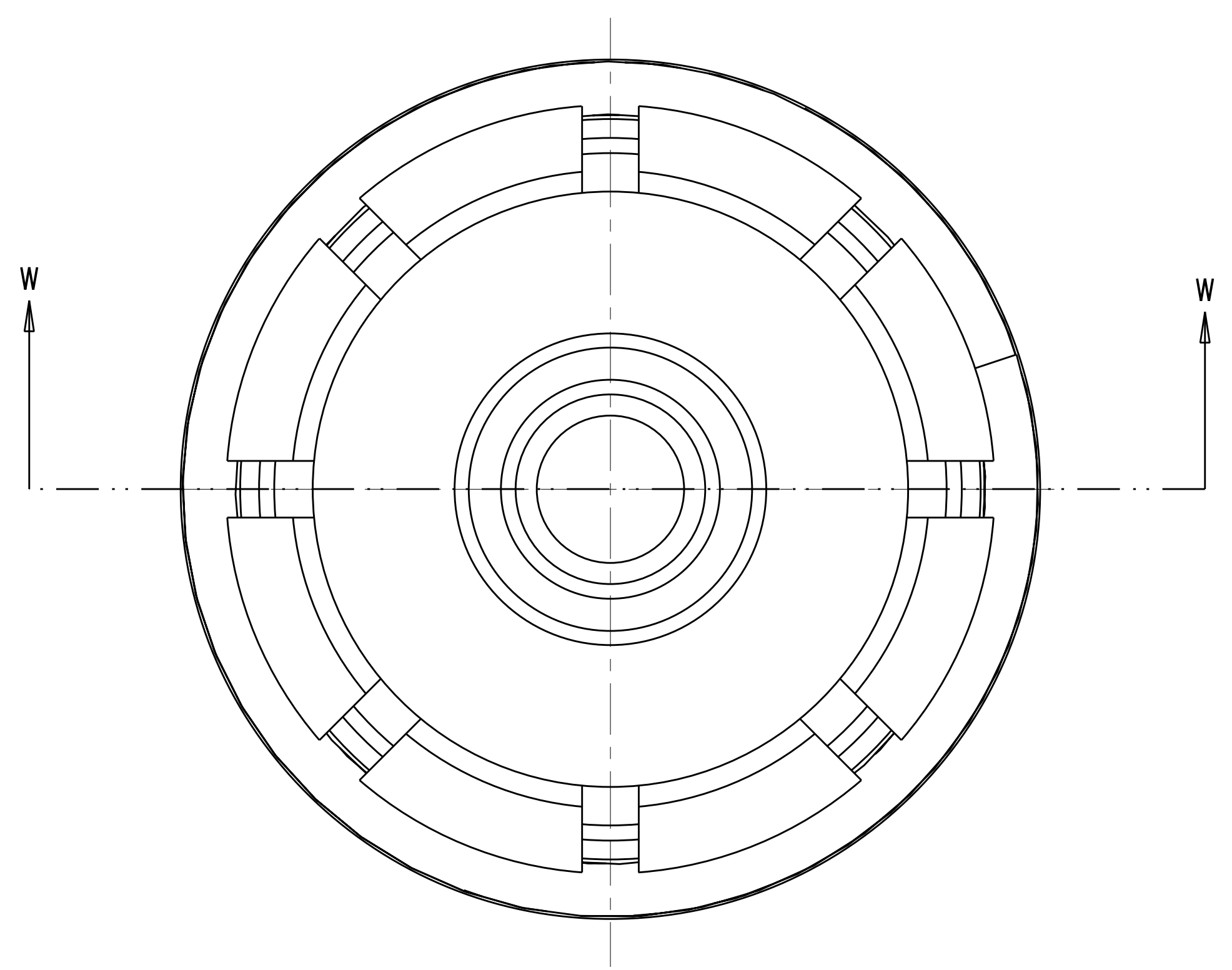


LOC	DIST	REV	DATE	BY	CHKD	APVD
AG	00	E1	24MAR2011	RK	HMR	

- 1 POSITION CENTER CONTACT
- 2 MATERIAL: PHOS - BRONZE, PLATING: 0.3 - 0.5 μm MIN GOLD OVER 4.0 - 6.0 μm MIN NICKEL.
- 3 MATERIAL: BRASS, PLATING: 0.3 - 0.5 μm MIN GOLD OVER 4.0 - 6.0 μm MIN NICKEL.
- 4 MISALIGNMENT BETWEEN CONNECTOR AXIS AND TARGET PAD, 0.80 mm MAX.
- 5 MATERIAL: PTFE



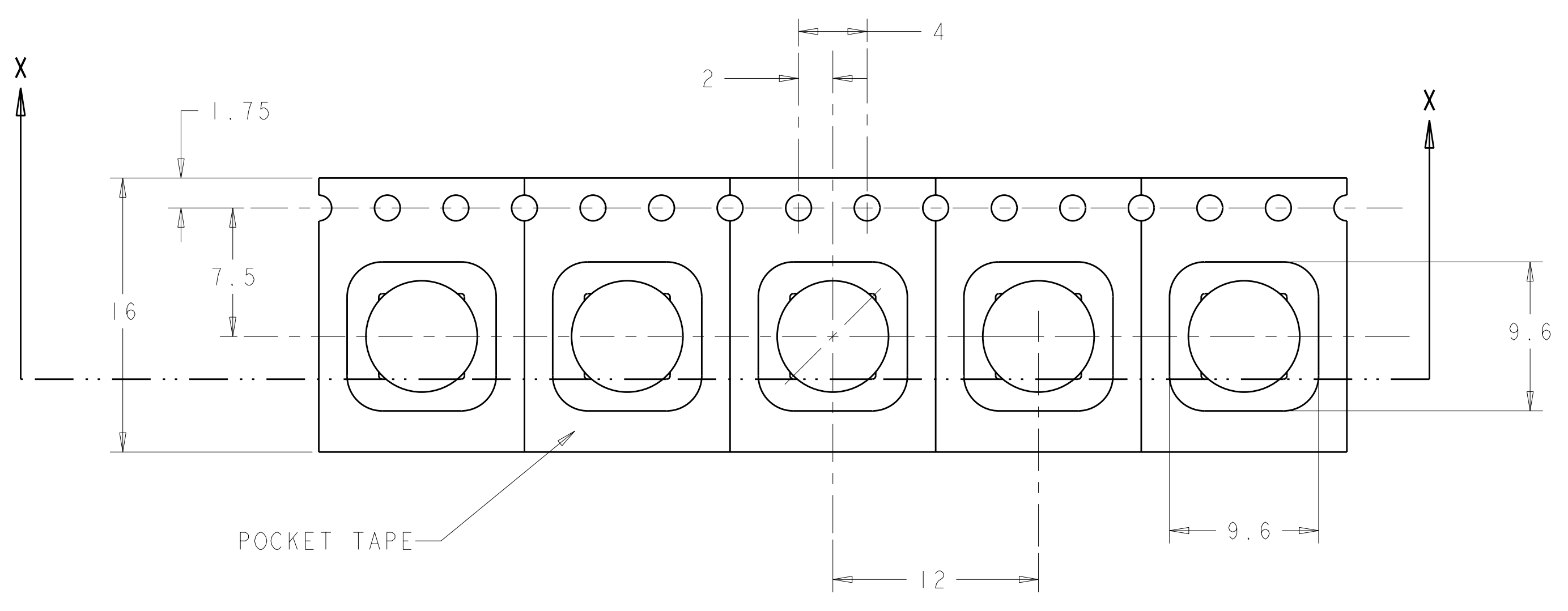
QTY	DESCRIPTION	PART NUMBER
750	REELED CONNECTOR	1658260-2
L/P	COAX CONNECTOR	1658260-1

THIS DRAWING IS A CONTROLLED DOCUMENT.

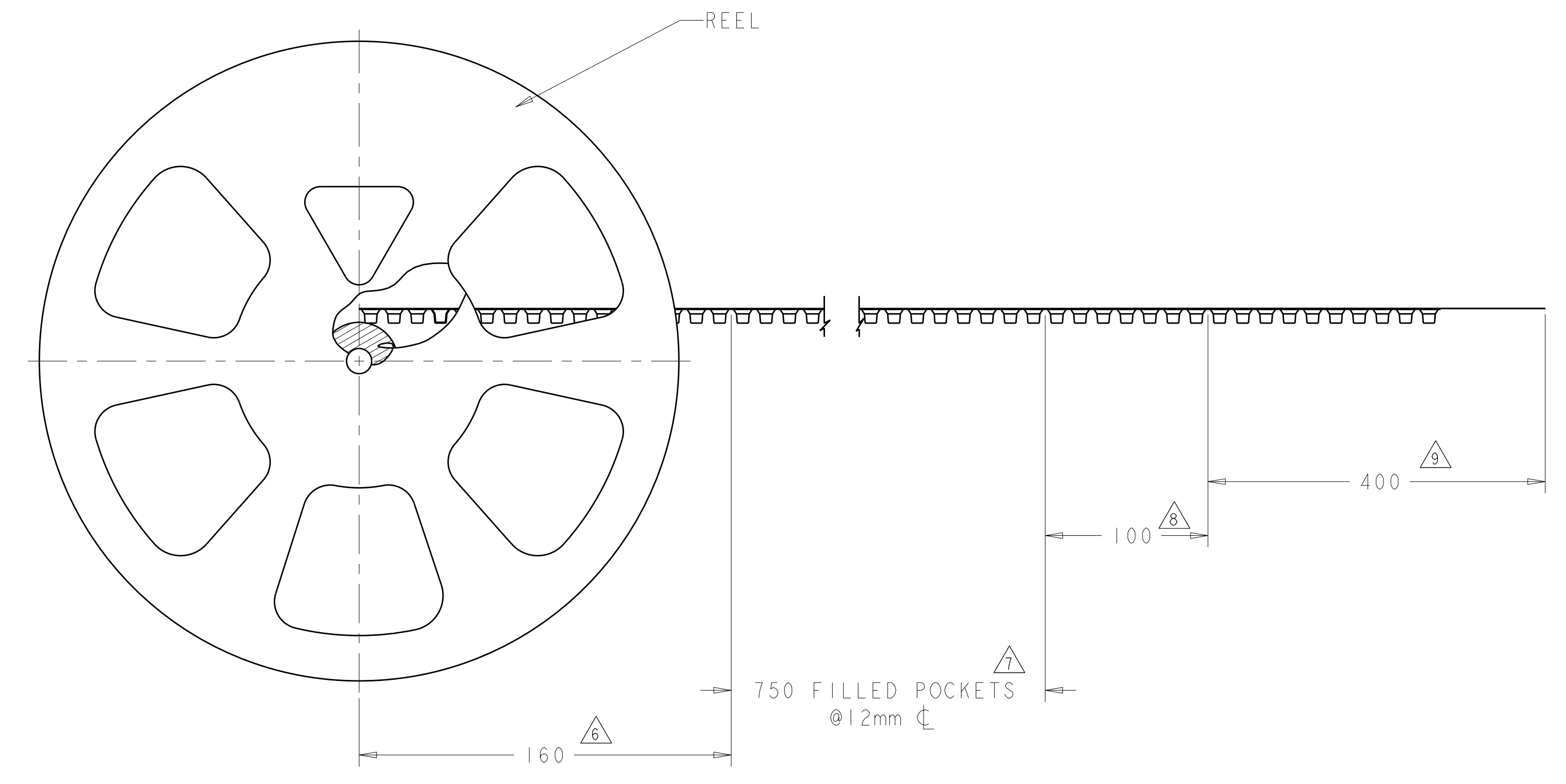
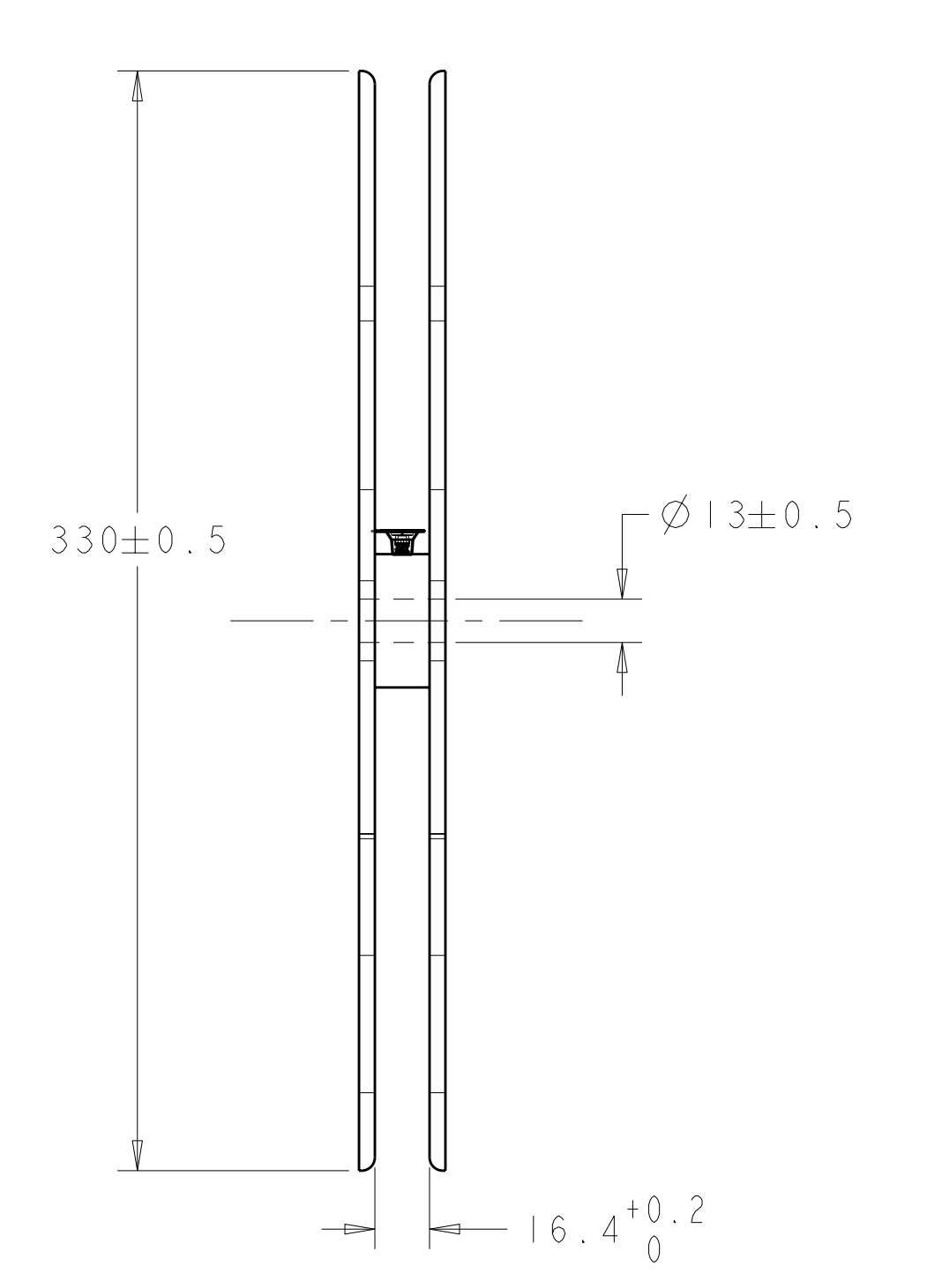
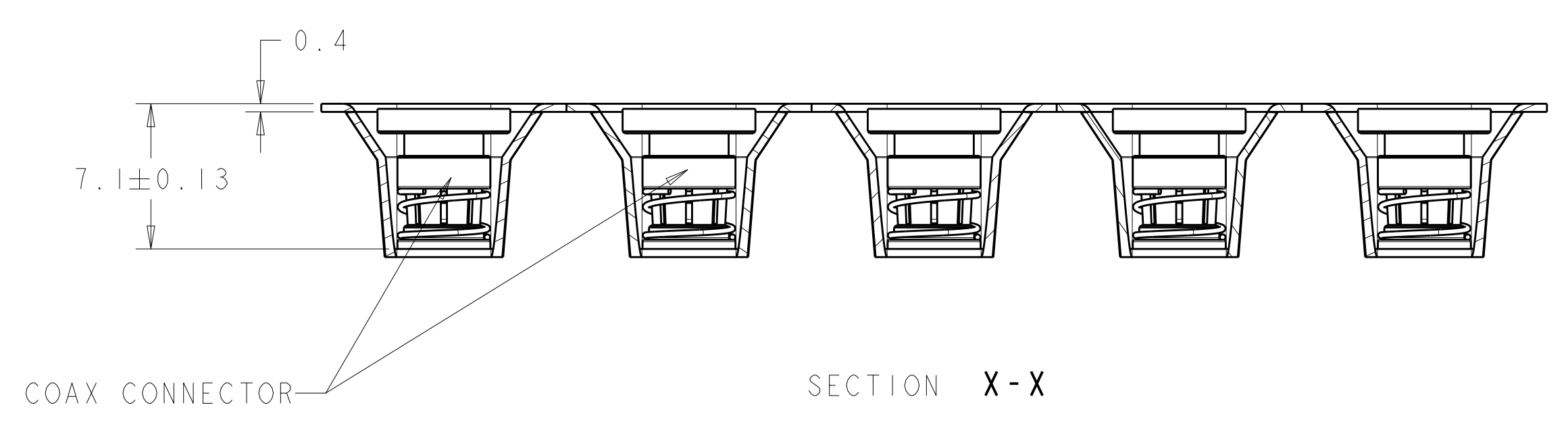
DIMENSIONS:	TOLERANCES UNLESS OTHERWISE SPECIFIED:	DATE: 21 JAN 2003	NAME: M. PHILLIPS
mm	0 PLC ± 1 PLC ±0.2 2 PLC ±0.05 3 PLC ± 4 PLC ± ANGLES ± FINISH #1	DATE: 21 JAN 2003	NAME: M. PHILLIPS
MATERIAL:	FINISH:	PRODUCT SPEC:	APPLICATION SPEC:
		WEIGHT:	SIZE: CAGE CODE: DRAWING NO: RESTRICTED TO:
		CUSTOMER DRAWING	A1100779C=1658260

SCALE 40:1 SHEET 1 OF 2 REV E1

LOC	DIST	REVISIONS			
AG	00	REV	DATE	DWN	APVD
		1	SEE SHEET 1		



- △ 6 TRAILER, EMPTY POCKETS WITH COVER TAPE.
- △ 7 CARRIER POCKETS FILLED WITH 1658260-2, WITH COVER TAPE.
- △ 8 LEADER, EMPTY POCKETS WITH COVER TAPE.
- △ 9 LEADER COVER TAPE.
- 10. REELED PRODUCT PER SPEC EIA 481



THIS DRAWING IS A CONTROLLED DOCUMENT.		DWN: MM VAN SCIO 21JAN2003		TE Connectivity CONNECTOR, COAXIAL, BOARD TO BOARD 4.0 mm HEIGHT	
DIMENSIONS: mm		CHK: M. PHILLIPS 21JAN2003			
TOLERANCES UNLESS OTHERWISE SPECIFIED:		APVD: M. PHILLIPS 21JAN2003		PRODUCT SPEC	RESTRICTED TO
0 PLC ± 1 PLC ±0.2 2 PLC ±0.05 3 PLC ± 4 PLC ± ANGLES ±1°		APPLICATION SPEC		SIZE: CAGE CODE: DRAWING NO:	
MATERIAL:		FINISH:		WEIGHT:	A100779C-1658260
CUSTOMER DRAWING				SCALE: 40:1	SHEET 2 OF 2

Mouser Electronics

Authorized Distributor

Click to View Pricing, Inventory, Delivery & Lifecycle Information:

[TE Connectivity:](#)

[1658260-2](#)