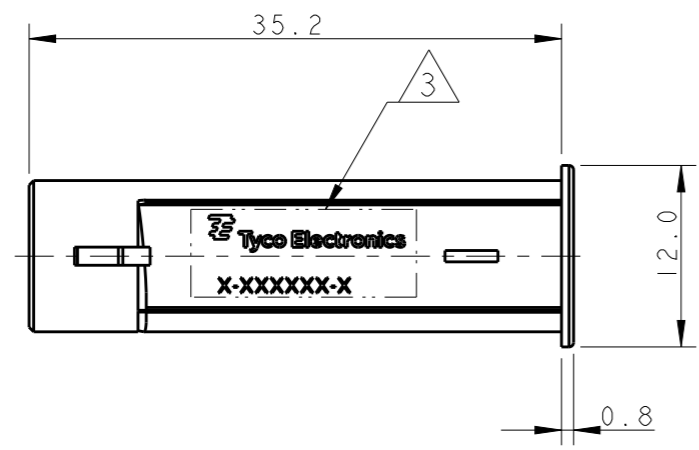


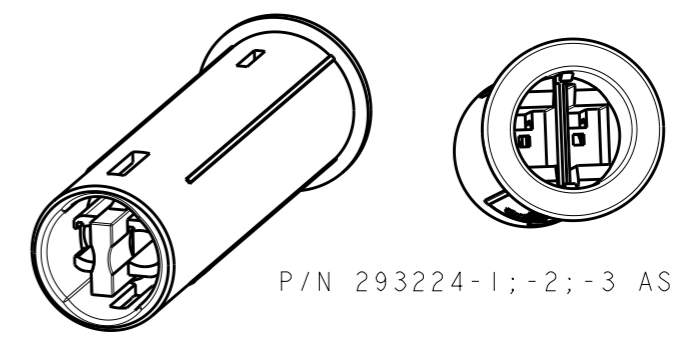
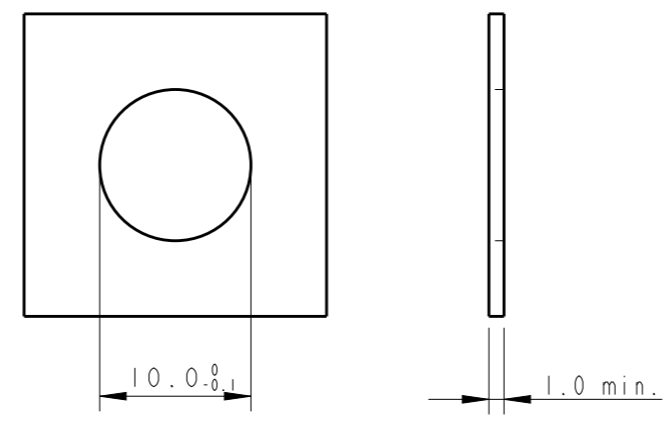
THIS DRAWING IS UNPUBLISHED. RELEASED FOR PUBLICATION 2005
© COPYRIGHT 2005 BY - ALL RIGHTS RESERVED.

REVISIONS

P	LTR	DESCRIPTION	DATE	DWN	APVD
A1		FIRST ISSUE	19FEB2010	AV	GT
A2		RELEASED FOR PRODUCTION	30JUN2010	AV	GT
B		REVISED PER ECR-16-005692	30MAY2016	RS	JL
C		REVISED PER ECR-16-017348	24FEB2017	RK	JL

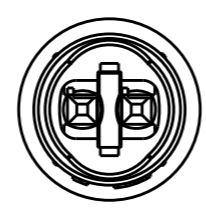
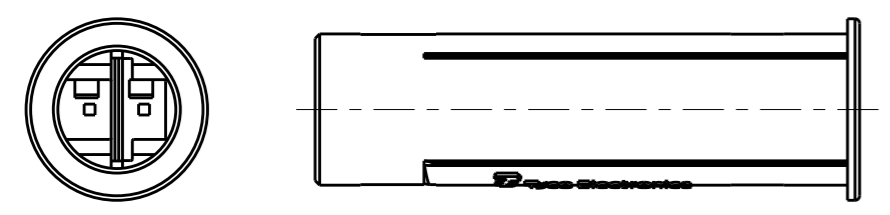


PANEL LAYOUT CONFIGURATION

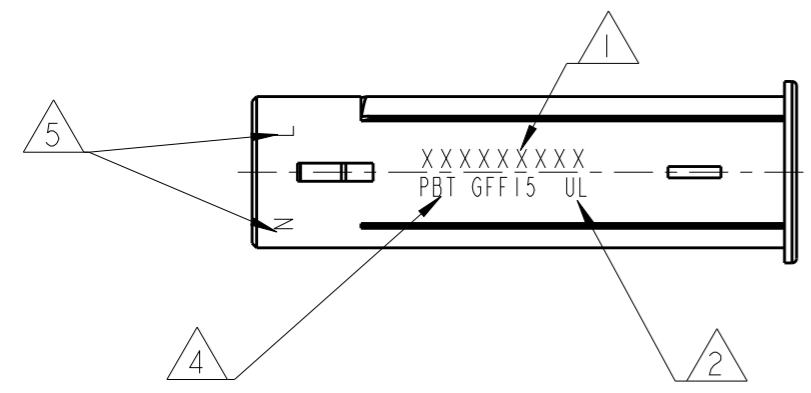


P/N 293224-1;-2;-3 AS SHOWN

KEYING HV-4



- 1 KEYING DEPENDENT MARKING (SEE TABLE)
- 2 INSERT FOR UL, LOGO DESIGN BUT NOT EXECUTE
- 3 PART MARKING
-Tyco Electronics Product Identifier
Date Code
Part number
- 4 RAW MATERIAL IDENTIFICATION PBT GF15%
- 5 WAY IDENTIFICATION
- 6 NOT YET RELEASED FOR PRODUCTION

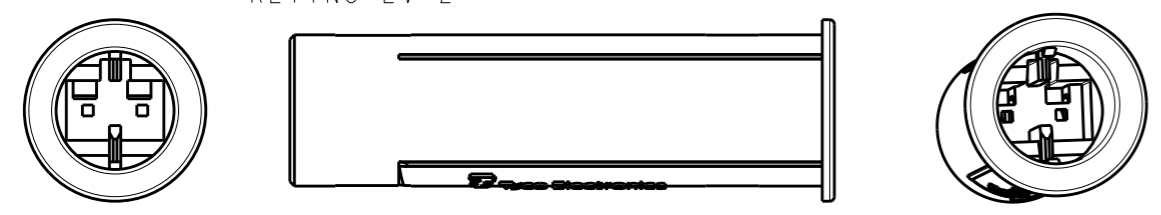


THE PRESENTED PRODUCT / DESIGN WILL BE RELEASED FOR THE MANUFACTURING OF THE NECESSARY PRODUCTION TOOLS HEREBY. FURTHER CHANGES HAS TO BE PAID BY CUSTOMER.

DATE, SIGN OF THE CUSTOMER

6	LV-2	LOW-VOLT 125VAC/VDC	7A 125VAC/VDC=	A	WHITE	293648-2
6	HV-4	HIGH-VOLT 125 Vac	6A 125V AC~	A	WHITE	293648-1
NOTE	KEYING	REMARKS	MARKING	REV.	COLOR	P/N

P/N 293224-5;-6 AND 1-293224-6 AS SHOWN
KEYING LV-2



THIS DRAWING IS A CONTROLLED DOCUMENT.

DIMENSIONS: mm

TOLERANCES UNLESS OTHERWISE SPECIFIED:

0 PLC	±
1 PLC	±0.3
2 PLC	±
3 PLC	±
4 PLC	±
ANGLES	±

MATERIAL

FINISH

THIS DRAWING IS A CONTROLLED DOCUMENT.

DWN A. Vecchia 19FEB2010

CHK G. Turco 19FEB2010

APVD G. Turco 19FEB2010

PRODUCT SPEC

APPLICATION SPEC

WEIGHT

CUSTOMER DRAWING

STE TE Connectivity

NAME HOUSING PANEL OUTLET FOR USA MARKET

SIZE	CAGE CODE	DRAWING NO	RESTRICTED TO
A3	00779	C-293648	-

SCALE 2:1 SHEET 1 OF 1 REV C

Mouser Electronics

Authorized Distributor

Click to View Pricing, Inventory, Delivery & Lifecycle Information:

[TE Connectivity:](#)

[293648-2](#)