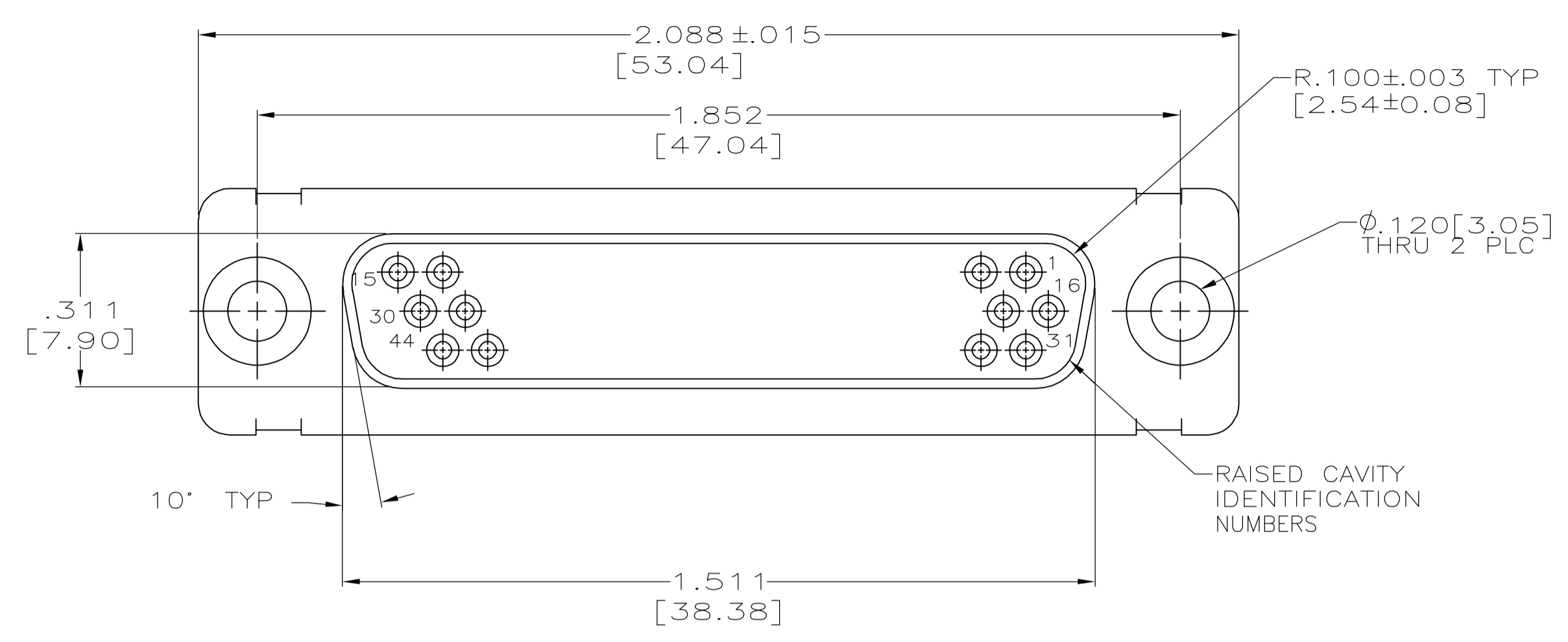
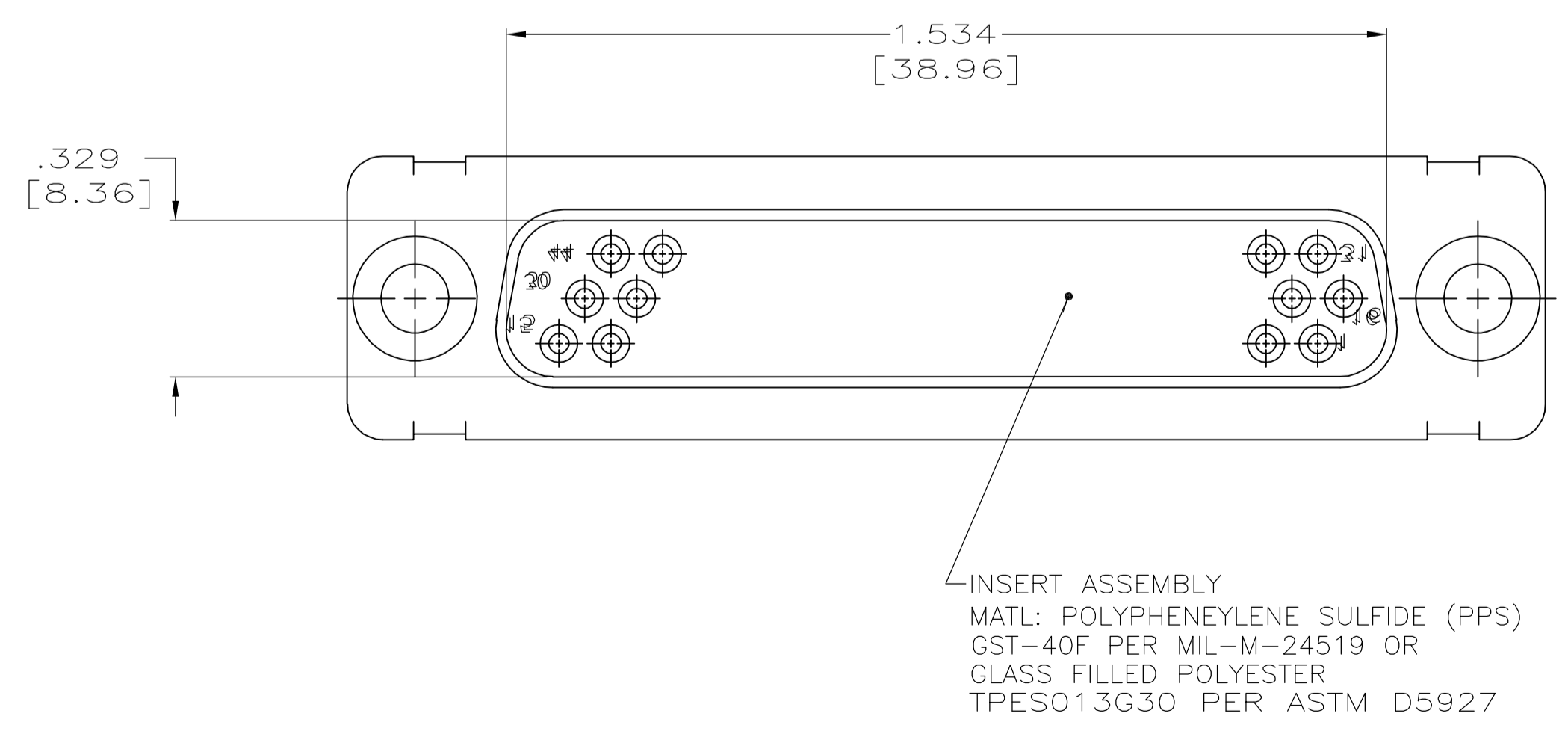
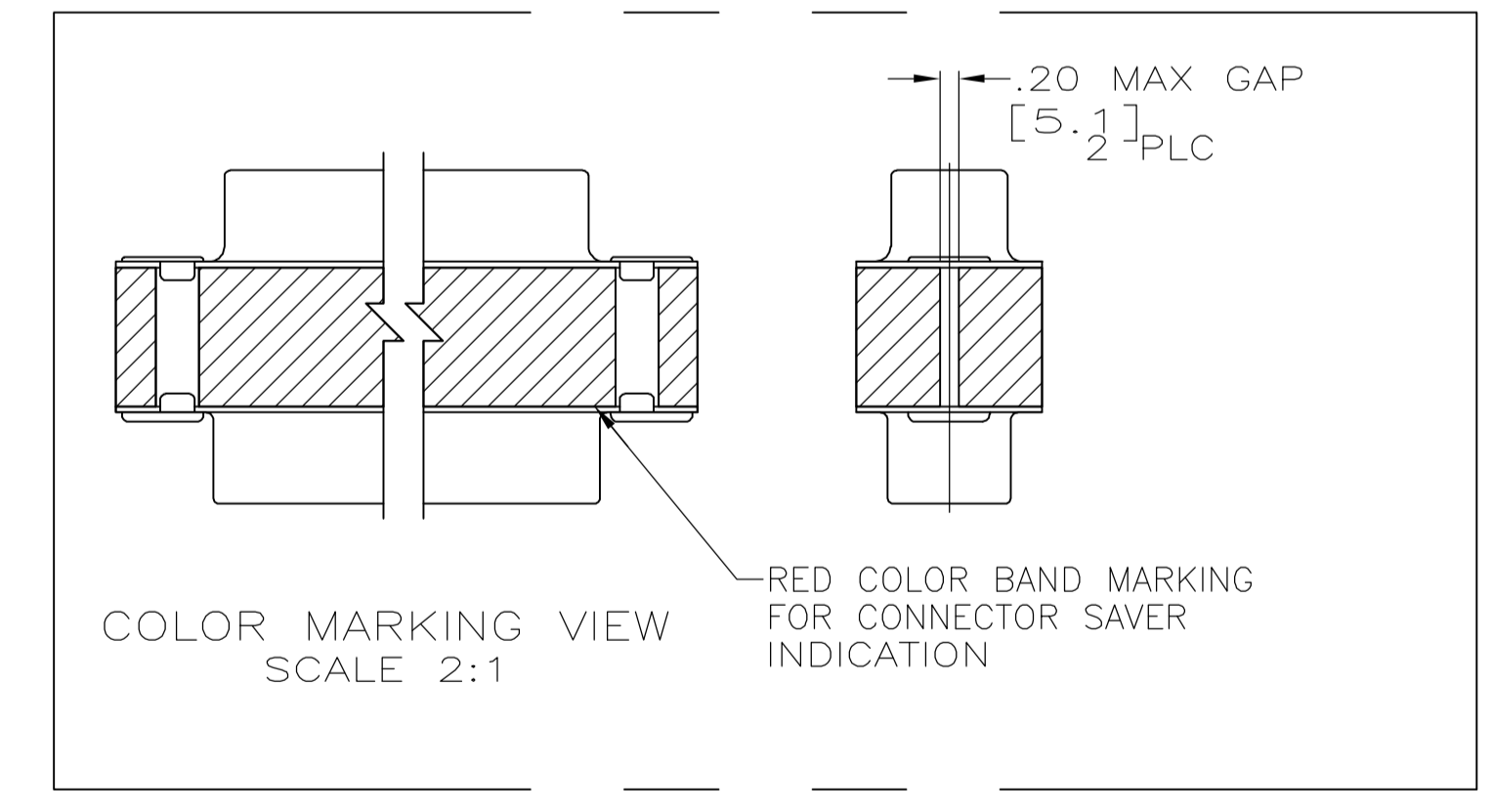
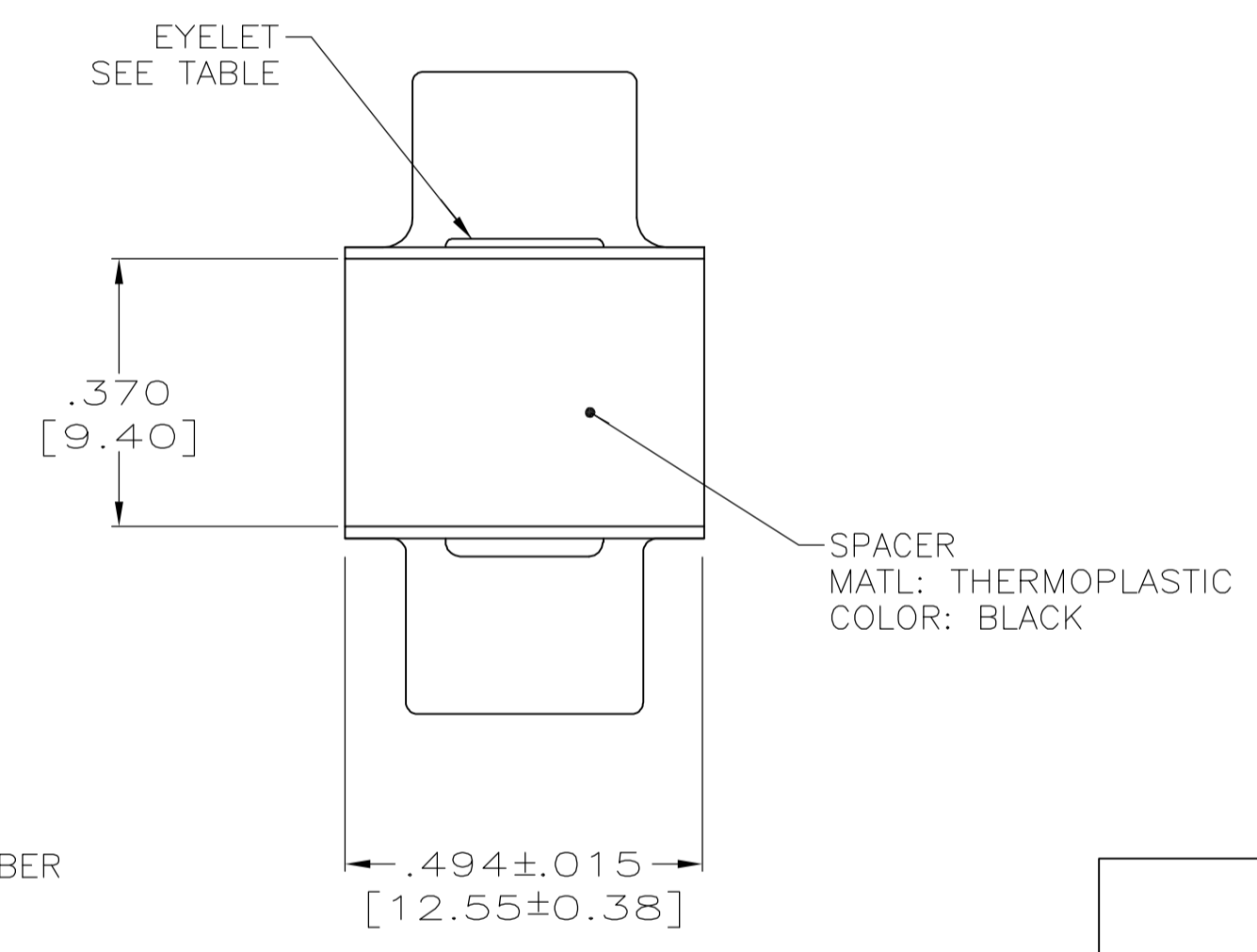
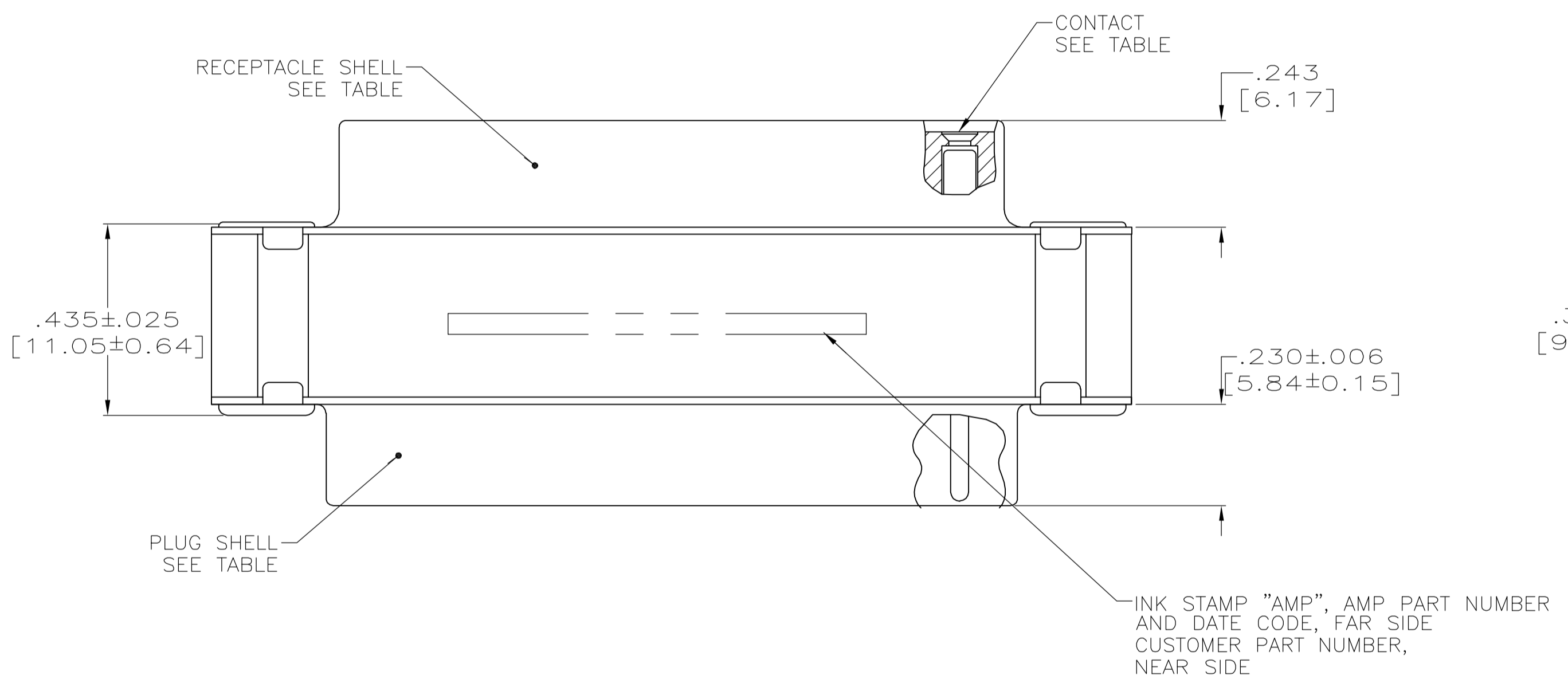


LOC		DIST		REVISIONS				
DF	DO	REV	DATE	BY	CHK	APPV		
E		REV PER ECO-06-006664	29MAR06	TK		CT		



- 1. CONTACTS INCLUDED IN ASSEMBLY.
- CONTACT
- BODY MATL: BERYLLIUM COPPER PER ASTM-B-197.
- BODY FINISH: PLATED GOLD, .000050 MIN THK PER MIL-G-45204 OVER NICKEL, .000050 MIN THK PER QQ-N-290.
- HOOD MATL: STAINLESS STEEL PER ASTM-A-167.
- HOOD FINISH: PASSIVATED PER ASTM-A-380
- MATL: BRASS PER ASTM-B-36.
- FINISH: PLATED GOLD, .000050 MIN THK PER MIL-G-45204 OVER COPPER, .000100 MIN THK PER MIL-C-14550.



LOC	DIST	REV	DATE	BY	CHK	APPV
E		REV PER ECO-06-006664	29MAR06	TK		CT

LOC	DIST	REV	DATE	BY	CHK	APPV
E		REV PER ECO-06-006664	29MAR06	TK		CT

LOC	DIST	REV	DATE	BY	CHK	APPV
E		REV PER ECO-06-006664	29MAR06	TK		CT

LOC	DIST	REV	DATE	BY	CHK	APPV
E		REV PER ECO-06-006664	29MAR06	TK		CT

LOC	DIST	REV	DATE	BY	CHK	APPV
E		REV PER ECO-06-006664	29MAR06	TK		CT

LOC	DIST	REV	DATE	BY	CHK	APPV
E		REV PER ECO-06-006664	29MAR06	TK		CT

LOC	DIST	REV	DATE	BY	CHK	APPV
E		REV PER ECO-06-006664	29MAR06	TK		CT

LOC	DIST	REV	DATE	BY	CHK	APPV
E		REV PER ECO-06-006664	29MAR06	TK		CT

LOC	DIST	REV	DATE	BY	CHK	APPV
E		REV PER ECO-06-006664	29MAR06	TK		CT

LOC	DIST	REV	DATE	BY	CHK	APPV
E		REV PER ECO-06-006664	29MAR06	TK		CT

LOC	DIST	REV	DATE	BY	CHK	APPV
E		REV PER ECO-06-006664	29MAR06	TK		CT

LOC	DIST	REV	DATE	BY	CHK	APPV
E		REV PER ECO-06-006664	29MAR06	TK		CT

LOC	DIST	REV	DATE	BY	CHK	APPV
E		REV PER ECO-06-006664	29MAR06	TK		CT

LOC	DIST	REV	DATE	BY	CHK	APPV
E		REV PER ECO-06-006664	29MAR06	TK		CT

LOC	DIST	REV	DATE	BY	CHK	APPV
E		REV PER ECO-06-006664	29MAR06	TK		CT

LOC	DIST	REV	DATE	BY	CHK	APPV
E		REV PER ECO-06-006664	29MAR06	TK		CT

LOC	DIST	REV	DATE	BY	CHK	APPV
E		REV PER ECO-06-006664	29MAR06	TK		CT

LOC	DIST	REV	DATE	BY	CHK	APPV
E		REV PER ECO-06-006664	29MAR06	TK		CT

LOC	DIST	REV	DATE	BY	CHK	APPV
E		REV PER ECO-06-006664	29MAR06	TK		CT

LOC	DIST	REV	DATE	BY	CHK	APPV
E		REV PER ECO-06-006664	29MAR06	TK		CT

LOC	DIST	REV	DATE	BY	CHK	APPV
E		REV PER ECO-06-006664	29MAR06	TK		CT

LOC	DIST	REV	DATE	BY	CHK	APPV
E		REV PER ECO-06-006664	29MAR06	TK		CT

LOC	DIST	REV	DATE	BY	CHK	APPV
E		REV PER ECO-06-006664	29MAR06	TK		CT

LOC	DIST	REV	DATE	BY	CHK	APPV
E		REV PER ECO-06-006664	29MAR06	TK		CT

LOC	DIST	REV	DATE	BY	CHK	APPV
E		REV PER ECO-06-006664	29MAR06	TK		CT

LOC	DIST	REV	DATE	BY	CHK	APPV
E		REV PER ECO-06-006664	29MAR06	TK		CT

LOC	DIST	REV	DATE	BY	CHK	APPV
E		REV PER ECO-06-006664	29MAR06	TK		CT

LOC	DIST	REV	DATE	BY	CHK	APPV
E		REV PER ECO-06-006664	29MAR06	TK		CT

LOC	DIST	REV	DATE	BY	CHK	APPV
E		REV PER ECO-06-006664	29MAR06	TK		CT

LOC	DIST	REV	DATE	BY	CHK	APPV
E		REV PER ECO-06-006664	29MAR06	TK		CT

LOC	DIST	REV	DATE	BY	CHK	APPV
E		REV PER ECO-06-006664	29MAR06	TK		CT

LOC	DIST	REV	DATE	BY	CHK	APPV
E		REV PER ECO-06-006664	29MAR06	TK		CT

LOC	DIST	REV	DATE	BY	CHK	APPV
E		REV PER ECO-06-006664	29MAR06	TK		CT

LOC	DIST	REV	DATE	BY	CHK	APPV
E		REV PER ECO-06-006664	29MAR06	TK		CT

LOC	DIST	REV	DATE	BY	CHK	APPV
E		REV PER ECO-06-006664	29MAR06	TK		CT

LOC	DIST	REV	DATE	BY	CHK	APPV
E		REV PER ECO-06-006664	29MAR06	TK		CT

LOC	DIST	REV	DATE	BY	CHK	APPV
E		REV PER ECO-06-006664	29MAR06	TK		CT

LOC	DIST	REV	DATE	BY	CHK	APPV
E		REV PER ECO-06-006664	29MAR06	TK		CT

LOC	DIST	REV	DATE	BY	CHK	APPV
E		REV PER ECO-06-006664	29MAR06	TK		CT

LOC	DIST	REV	DATE	BY	CHK	APPV
E		REV PER ECO-06-006664	29MAR06	TK		CT

LOC	DIST	REV	DATE	BY	CHK	APPV
E		REV PER ECO-06-006664	29MAR06	TK		CT

LOC	DIST	REV	DATE	BY	CHK	APPV
E		REV PER ECO-06-006664	29MAR06	TK		CT

LOC	DIST	REV	DATE	BY	CHK	APPV
E		REV PER ECO-06-006664	29MAR06	TK		CT

LOC	DIST	REV	DATE	BY	CHK	APPV
E		REV PER ECO-06-006664	29MAR06	TK		CT

LOC	DIST	REV	DATE	BY	CHK	APPV
E		REV PER ECO-06-006664	29MAR06	TK		CT

LOC	DIST	REV	DATE	BY	CHK	APPV
E		REV PER ECO-06-006664	29MAR06	TK		CT

LOC	DIST	REV	DATE	BY	CHK	APPV
E		REV PER ECO-06-006664	29MAR06	TK		CT

LOC	DIST	REV	DATE	BY	CHK	APPV
E		REV PER ECO-06-006664	29MAR06	TK		CT

LOC	DIST	REV	DATE	BY	CHK	APPV
E		REV PER ECO-06-006664	29MAR06	TK		CT

LOC	DIST	REV	DATE	BY	CHK	APPV
E		REV PER ECO-06-006664	29MAR06	TK		CT

LOC	DIST	REV	DATE	BY	CHK	APPV
E		REV PER ECO-06-006664	29MAR06	TK		CT

LOC	DIST	REV	DATE	BY	CHK	APPV
E		REV PER ECO-06-006664	29MAR06	TK		CT

LOC	DIST	REV	DATE	BY	CHK	APPV
E		REV PER ECO-06-006664	29MAR06	TK		CT

LOC	DIST	REV	DATE	BY	CHK	APPV
E		REV PER ECO-06-006664	29MAR06	TK		CT

LOC	DIST	REV	DATE	BY	CHK	APPV
E		REV PER ECO-06-006664	29MAR06	TK		CT

LOC	DIST	REV	DATE	BY	CHK	APPV
E		REV PER ECO-06-006664	29MAR06	TK		CT

LOC	DIST	REV	DATE	BY	CHK	APPV
E		REV PER ECO-06-006664	29MAR06	TK		CT

LOC	DIST	REV	DATE	BY	CHK	APPV
E		REV PER ECO-06-006664	29MAR06	TK		CT

LOC	DIST	REV	DATE	BY	CHK	APPV
E		REV PER ECO-06-006664	29MAR06	TK		CT

LOC	DIST	REV	DATE	BY	CHK	APPV
E		REV PER ECO-06-006664	29MAR06	TK		CT

LOC	DIST	REV	DATE	BY	CHK	APPV
E		REV PER ECO-06-006664	29MAR06	TK		CT

LOC	DIST	REV	DATE	BY	CHK	APPV
E		REV PER ECO-06-006664	29MAR06	TK		CT

LOC	DIST	REV	DATE	BY	CHK	APPV
E		REV PER ECO-06-006664	29MAR06	TK		CT

LOC	DIST	REV	DATE	BY	CHK	APPV
E		REV PER ECO-06-006664	29MAR06	TK		CT

LOC	DIST	REV	DATE	BY	CHK	APPV
E		REV PER ECO-06-006664	29MAR06	TK		CT

LOC	DIST	REV	DATE	BY	CHK	APPV
E		REV PER ECO-06-006664	29MAR06	TK		CT

LOC	DIST	REV	DATE	BY	CHK	APPV
E		REV PER ECO-06-006664	29MAR06	TK		CT

LOC	DIST	REV	DATE	BY	CHK	APPV
E		REV PER ECO-06-006664	29MAR06	TK		CT

LOC	DIST	REV	DATE	BY	CHK	APPV
E		REV PER ECO-06-006664	29MAR06	TK		CT

LOC	DIST	REV	DATE	BY	CHK	APPV
E		REV PER ECO-06-006664	29MAR06	TK		CT

LOC	DIST	REV	DATE	BY	CHK	APPV
E		REV PER ECO-06-006664	29MAR06	TK		CT

LOC	DIST	REV	DATE	BY	CHK	APPV
E		REV PER ECO-06-006664	29MAR06	TK		CT

LOC	DIST	REV	DATE	BY	CHK	APPV
E		REV PER ECO-06-006664	29MAR06	TK		

# Mouser Electronics

Authorized Distributor

Click to View Pricing, Inventory, Delivery & Lifecycle Information:

[TE Connectivity:](#)

[1218310-1](#)