

PLEASE CHECK WWW.MOLEX.COM FOR LATEST PART INFORMATION

Part Number: [0532541270](#)
Status: **Active**
Description: 2.00mm Pitch Micro-Latch Wire-to-Board Header, Right-Angle, Square Pin, Three-sided Shroud, 12 Circuits

Documents:

[3D Model](#) [RoHS Certificate of Compliance \(PDF\)](#)
[Drawing \(PDF\)](#) [Product Literature \(PDF\)](#)
[Product Specification PS-51065-016-001 \(PDF\)](#)

General

| | |
|-----------------------------|-----------------------|
| Product Family | PCB Headers |
| Series | 53254 |
| Application | Signal, Wire-to-Board |
| Product Literature Order No | 987651-8983 |
| Product Name | Micro-Latch |
| UPC | 756054354247 |

Physical

| | |
|--------------------------------|----------------|
| Breakaway | No |
| Circuits (Loaded) | 12 |
| Circuits (maximum) | 12 |
| Durability (mating cycles max) | 30 |
| First Mate / Last Break | No |
| Glow-Wire Capable | No |
| Lock to Mating Part | Yes |
| Material - Metal | Brass |
| Material - Plating Mating | Tin |
| Material - Plating Termination | Tin |
| Material - Resin | Nylon |
| Net Weight | 607.600/mg |
| Number of Rows | 1 |
| Orientation | Right Angle |
| PC Tail Length | 3.50mm |
| PCB Locator | No |
| PCB Retention | Yes |
| PCB Thickness - Recommended | 1.60mm |
| Packaging Type | Tray |
| Pitch - Mating Interface | 2.00mm |
| Plating min - Mating | 1.016µm |
| Plating min - Termination | 1.016µm |
| Polarized to Mating Part | Yes |
| Polarized to PCB | No |
| Shrouded | Partial |
| Stackable | No |
| Surface Mount Compatible (SMC) | No |
| Temperature Range - Operating | -40° to +105°C |
| Termination Interface: Style | Through Hole |

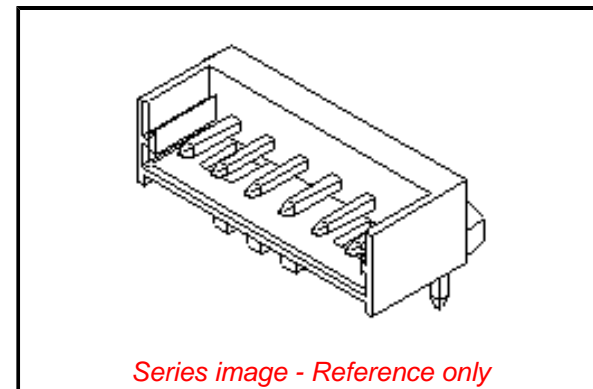
Electrical

| | |
|-------------------------------|------|
| Current - Maximum per Contact | 2.0A |
| Voltage - Maximum | 125V |

Material Info

Reference - Drawing Numbers

| | |
|-----------------------|----------------------------|
| Product Specification | PS-51065-016-001 |
| Sales Drawing | SD-51065-006, SD-53254-001 |



Series image - Reference only

EU ELV

Not Relevant

EU RoHS

Compliant

REACH SVHC

Not Contained Per -
ED/61/2018 (27 June
2018)

Halogen-Free

Status

Not Low-Halogen

Need more information on product environmental compliance?

Email productcompliance@molex.com
Please visit the [Contact Us](#) section for any non-product compliance questions.

| | |
|-----------------|---------------|
| China ROHS | Green Image |
| ELV | Not Relevant |
| RoHS Phthalates | Not Contained |

Search Parts in this Series

[53254 Series](#)

Mates With

[51065 Crimp Housing](#), [50212 Crimp Terminal](#)

This document was generated on 09/05/2018

PLEASE CHECK WWW.MOLEX.COM FOR LATEST PART INFORMATION

Mouser Electronics

Authorized Distributor

Click to View Pricing, Inventory, Delivery & Lifecycle Information:

[Molex:](#)

[53254-1270](#)