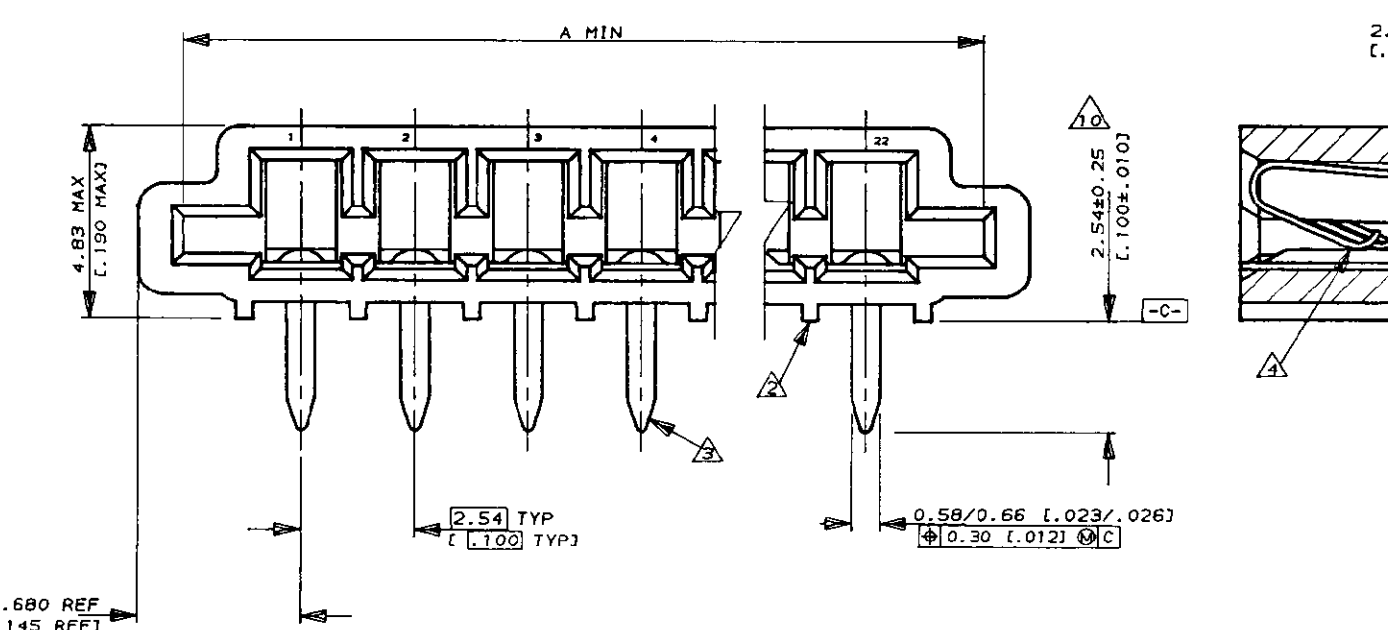
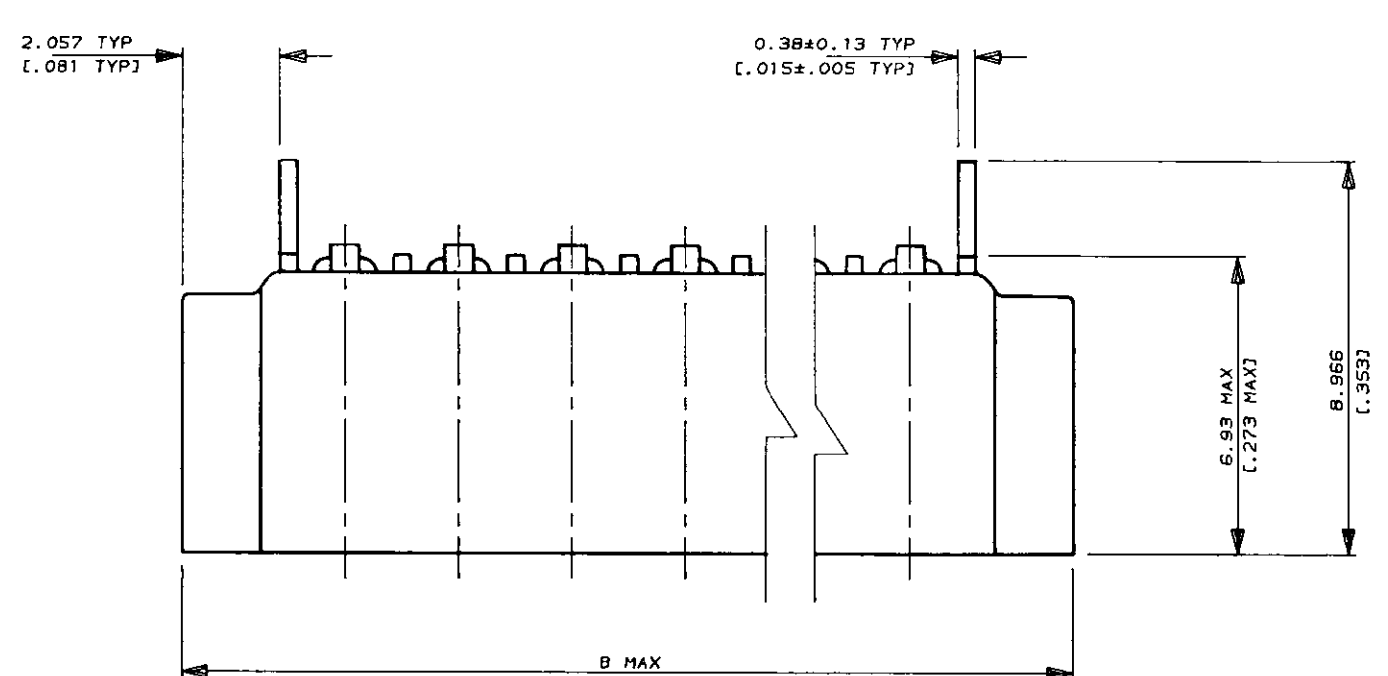


NUMBER 520314
 METRIC
 DIMENSIONS IN MM (INCHES). DO NOT SCALE PRINT
 PRINT DIST



- NOTES**
- CONNECTOR WILL ACCEPT FLEXIBLE PRINTED CIRCUIT OR FLAT FLEXIBLE CABLE ON 2.54 [0.100] CENTERS IN A THICKNESS RANGE OF 0.127 TO 0.381 [0.005 TO 0.015] IN CONTACT AREA
 - STAND-OFFS PREVENT SOLVENT ENTRAPMENT
 - LEAD-IN ON PINS FOR EASE OF INSERTION INTO BOARD
 - SEQUENTIAL CONTACTS REDUCE CABLE INSERTION FORCE
 - STABILIZING WING MAY BE REMOVED BY CUSTOMER IF NECESSARY
 - ALTERNATING CONTACT FORM RETAINS CONNECTOR IN P.C. BOARD DURING SOLDER OPERATION
 - ACCEPTS CABLE OR CIRCUITRY WITH EXPOSED CONDUCTORS FACING TOWARD OR AWAY FROM THE BOARD SURFACE
 - REFER TO APPLICATION SPEC 114-2062
 - MATERIAL
HOUSING : GLASS REINFORCED POLYESTER
THERMOPLASTIC UL 94 VO RATED, BLACK
CONTACT : PHOS BRONZE WITH MATTE TIN FINISH.
 - AREA INDICATED SHALL MEET SOLDERABILITY SPEC 109-11-1
 - OBSOLETE PARTS: OBSOLETE CIS STREAMLINING PER D.RENAUD/D.SINISI

LEAD FREE				SUPERSEDED	
OBSOLETE	6-520314-2	60.78 [2.393]	58.62 [2.308]	22	2-520314-2
	6-520314-1	58.24 [2.293]	56.08 [2.208]	21	2-520314-1
	6-520314-0	55.70 [2.193]	53.54 [2.108]	20	2-520314-0
	6-520314-9	53.16 [2.093]	51.00 [2.008]	19	1-520314-9
	6-520314-8	50.62 [1.993]	48.46 [1.908]	18	1-520314-8
	6-520314-7	48.08 [1.893]	45.92 [1.808]	17	1-520314-7
	6-520314-6	45.54 [1.793]	43.38 [1.708]	16	1-520314-6
	6-520314-5	43.00 [1.693]	40.84 [1.608]	15	1-520314-5
	6-520314-4	40.46 [1.593]	38.30 [1.508]	14	1-520314-4
	6-520314-3	37.92 [1.493]	35.76 [1.408]	13	1-520314-3
	6-520314-2	35.38 [1.393]	33.22 [1.308]	12	1-520314-2
	6-520314-1	32.84 [1.293]	30.68 [1.208]	11	1-520314-1
	6-520314-0	30.30 [1.193]	28.14 [1.108]	10	1-520314-0
	5-520314-9	27.76 [1.093]	25.60 [1.008]	9	520314-9
	5-520314-8	25.22 [0.993]	23.06 [0.908]	8	520314-8
	5-520314-7	22.68 [0.893]	20.52 [0.808]	7	520314-7
	5-520314-6	20.14 [0.793]	17.98 [0.708]	6	520314-6
	5-520314-5	17.60 [0.693]	15.44 [0.608]	5	520314-5
	5-520314-4	15.06 [0.593]	12.90 [0.508]	4	520314-4
	5-520314-3	12.52 [0.493]	10.36 [0.408]	3	520314-3
	5-520314-2	9.98 [0.393]	7.82 [0.308]	2	520314-2

PART NO		PACKING		B		A		POS		PART NO	
S3	ECR-10-022530	KK	HMR	07FEB11	Copyright ©1993 TE MFG (S) PTE LTD. ALL RIGHTS RESERVED.						
S2	ECO-10-000445	KK	AEG	11JAN10	Copyright ©1993 TE MFG (S) PTE LTD. ALL RIGHTS RESERVED.						
S1	REVISED AS PER ECR-06-04332	PM	KS	21FEB06	(WIRE RANGE)	(INSULATION DIA.)	(NAME)				
S	REVISED FRO00-0011-04	SD	PCH	19FEB04	mm ² (AWG -)	mmØ	TRIOMATE HORIZONTAL CABLE ENTRY FOR 1.57 [0.062] THK P.C. BOARD				
R	REVISED DY/EC/0920	LWY	SL	13.12.93	(MATERIAL)	(FINISH) CONTACTS MATTE TIN/LEAD PLATED	(GENERAL TOLERANCE)	SIZE	LOC	(No.)	
Q	REDRAWN DY/EC/0784	LWY	SL	30.7.93	DR. WYLEE 30.7.93	DE. A.SOH	±.38	A3	DY	520314	
LTR	(REVISION RECORD)	DR	CHK	DATE	CHK. SALLY 30.7.93	APP. PETER de JONG	[±.015]	(SCALE)	REV.	SHEET	
							6:1	S3		1 OF 1	

(CUSTOMER DRAWING)

Mouser Electronics

Authorized Distributor

Click to View Pricing, Inventory, Delivery & Lifecycle Information:

[TE Connectivity:](#)

[5-520314-4](#)