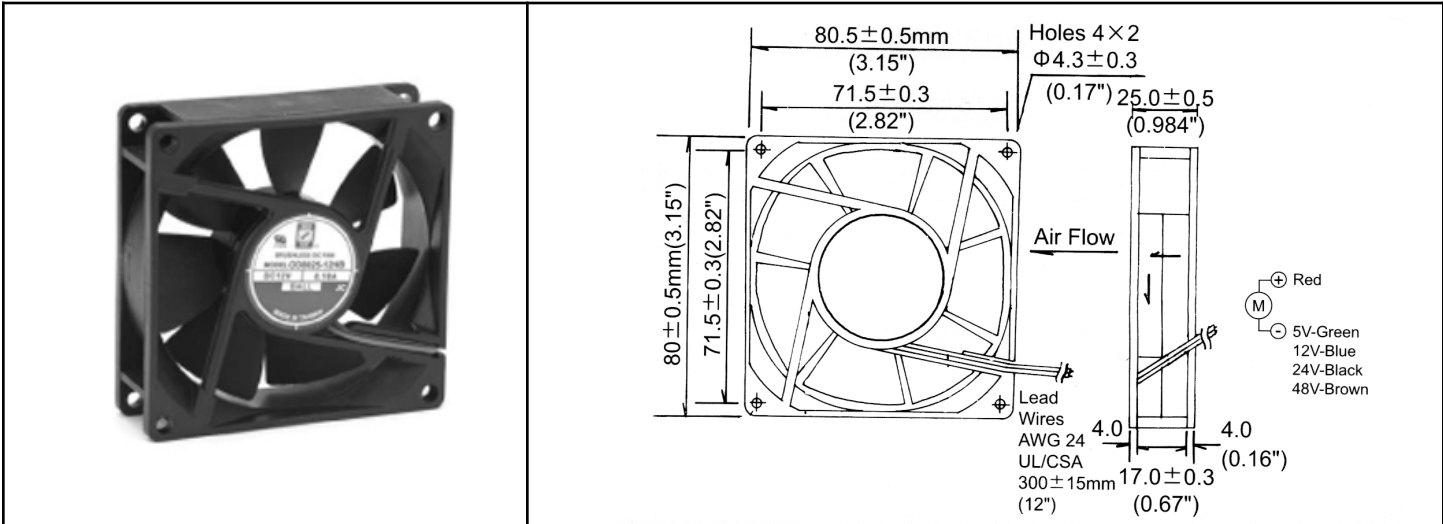


OD8025 Series



DC Fan - 5, 12, 24, 48V
80x25 (3.15"x 1.00")



Frame & Impeller	PBT, UL94V-O plastic	Available Options: Tachometer (FG) Alarm (RD) <u>Life Expectancy (L10)</u> Ball Bearing 60,000 hours (L10 at 40C) Sleeve Bearing 30,000 hours (L10 at 40C) <u>Operating Temperature</u> Ball Bearing -20C ~ +80C Sleeve Bearing -10C ~ +50C	
Connection	2x Lead wires 24AWG		
Motor	Brushless DC, auto restart, polarity protected		
Bearing System	Dual Ball or Sleeve		
Insulation Resistance	10M ohm between leadwire and frame (500VDC)		
Dielectric Strength	1 second at 500 VAC, max leakage - 500 MicroAmp		
Storage Temperature	-30C ~ +90C		

Model Number	Speed (RPM)	Airflow (CFM)	Noise (dB)	Volts DC	Voltage Range	Amps	Max. Static Pressure ("H2O)
OD8025-05H*	2800	35	32	05	4~7	0.28	0.22
OD8025-05M*	2200	30	27	05	4~7	0.20	0.16
OD8025-05L*	1800	22	21	05	4~7	0.15	0.10
OD8025-12H*	3300	40	33	12	7~17	0.18	0.23
OD8025-12M*	2800	32	28	12	7~17	0.15	0.16
OD8025-12L*	2000	22	21	12	7~17	0.12	0.10
OD8025-24H*	3300	40	33	24	12~28	0.12	0.23
OD8025-24M*	2800	32	28	24	12~28	0.10	0.16
OD8025-24L*	2000	22	21	24	12~28	0.08	0.10
OD8025-48HB	4200	42	33	48	32~56	0.05	0.25

* Indicate "B" to specify Ball bearing or "S" to specify Sleeve bearing

Mouser Electronics

Authorized Distributor

Click to View Pricing, Inventory, Delivery & Lifecycle Information:

Orion Fans:

[OD8025-05HB](#) [OD8025-05LB](#) [OD8025-05LS](#) [OD8025-48HB](#) [OD8025-24MS](#) [OD8025-24LS](#) [OD8025-12LS](#)
[OD8025-12MS](#) [OD8025-12HB-01](#) [OD8025-12HSS](#) [OD8025-05MB](#) [OD8025-48LB](#) [OD8025-48MB](#) [OD8025-24HSS](#)
[OD8025-05HS](#) [OD8025-05MS](#) [OD8025-12HS-C](#) [OD8025-48HS](#) [OD8025-24HS](#) [OD8025-48LS](#)