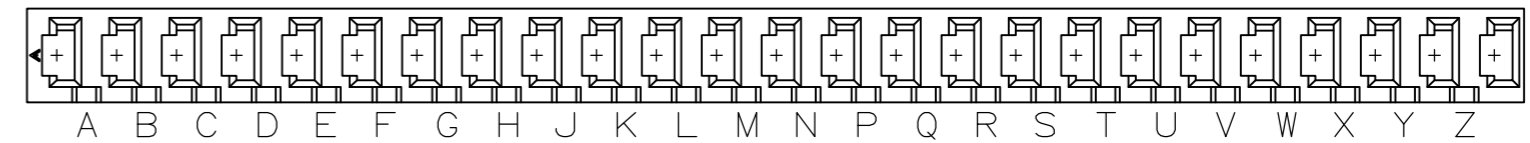
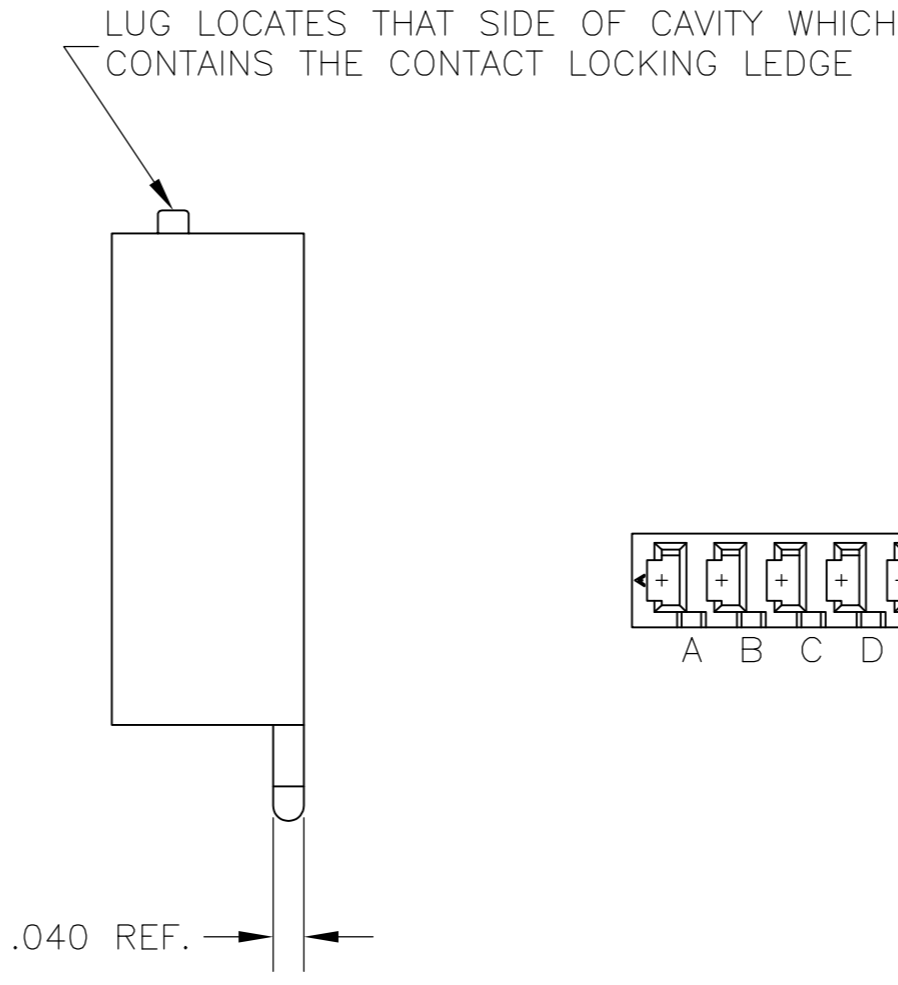
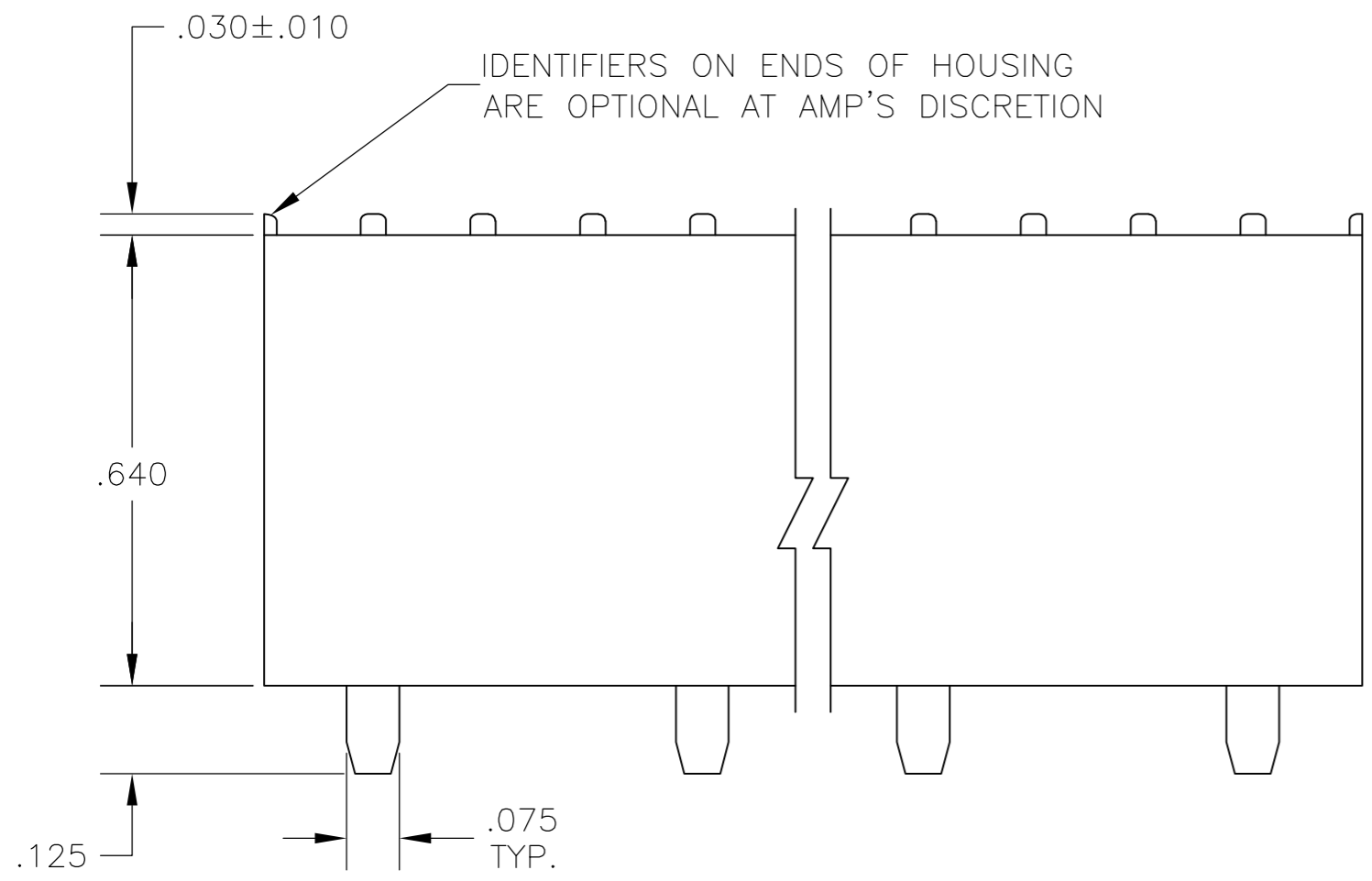
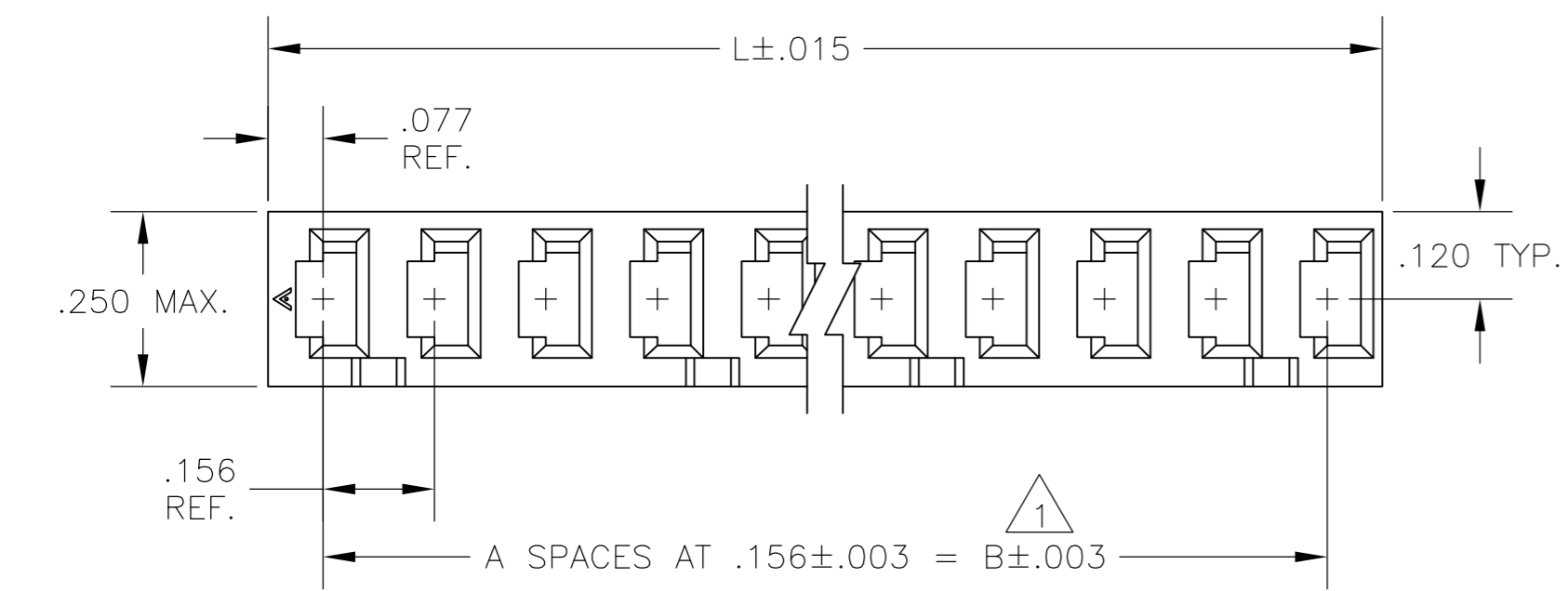


THIS DRAWING IS UNPUBLISHED. RELEASED FOR PUBLICATION  
 © COPYRIGHT - By - ALL RIGHTS RESERVED.

LOC		DIST		REVISIONS				
P	LTR	DESCRIPTION			DATE	DWN	APVD	
	K2	REVISED PER ECO-11-004820			11MAR11	RK	HMR	



KEY LOCATIONS (REF ONLY)



2	OBSOLETE	A,C,E,H,K,M,Q,S,U,W,Y	3.900	3.744	24	11	25	-2=87159-4
	OBSOLETE	A,C,E,G,J,L,N,Q,S,U,W,Y	3.744	3.588	23	12	24	2- -3
	OBSOLETE	A,D,G,K,N,R,U,X	3.588	3.432	22	8	23	2- -2
	OBSOLETE	A,C,E,G,J,L,N,Q,S,U,W	3.432	3.276	21	11	22	2- -1
	OBSOLETE	A,D,G,K,N,R,U	3.276	3.120	20	7	21	2- -0
		A,C,E,G,J,L,N,Q,S,U	3.120	2.964	19	10	20	1- -9
2	OBSOLETE	B,D,F,J,L,N,Q,S	2.964	2.808	18	8	19	1- -8
	OBSOLETE	A,D,F,J,P,S	2.808	2.652	17	6	18	1- -7
	OBSOLETE	A,D,G,K,N,R	2.652	2.496	16	6	17	1- -6
		A,C,E,G,J,L,N,Q	2.496	2.340	15	8	16	1- -5
		A,D,G,K,N	2.340	2.184	14	5	15	1- -4
		A,C,E,G,J,L,N	2.184	2.028	13	7	14	1- -3
		A,C,E,G,J,L	1.872	1.716	11	6	12	1- -2
2	OBSOLETE	A,D,G,K	1.716	1.560	10	4	11	1- -1
2	OBSOLETE	A,C,E,G,J	1.560	1.404	9	5	10	1- -0
		A,D,G	1.404	1.248	8	3	9	- -9
		A,C,E,G	1.248	1.092	7	4	8	- -8
		A,C,E	1.092	.936	6	3	7	- -7
		A,C,E	.936	.780	5	3	6	- -6
		A,C	.624	.468	3	2	4	- -5
		A	.468	.312	2	1	3	- -4
		A	.312	.156	1	1	2	- -3
2	OBSOLETE	A,D,J,M,	2.028	1.872	12	4	13	- -2
		A,D	.780	.624	4	2	5	87159-1

- 1 TOLERANCE NON CUMULATIVE
- 2 OBSOLETE PARTS: OBSOLETE CIS STREAMLINING PER D.RENAUD/D.SINISI

THIS DRAWING IS A CONTROLLED DOCUMENT.		DWN S. SHUEY 8-7-93		
DIMENSIONS: INCHES		CHK S. SHUEY 8-7-93		
TOLERANCES UNLESS OTHERWISE SPECIFIED:		APVD S. SHUEY 8-7-93		
0 PLC ± - 1 PLC ± - 2 PLC ± - 3 PLC ± .005 4 PLC ± - ANGLES ± - FINISH -		NAME		
MATERIAL: FLAME RETARDANT THERMOPLASTIC COLOR-BLACK		PRODUCT SPEC: 108-25016	HOUSING, MOD I, .156 CL. SINGLE ROW, CRIMP SNAP IN, KEYED	
		APPLICATION SPEC: 114-25000	SIZE: A2	CAGE CODE: 00779
		WEIGHT: -	DRAWING NO: C=87159	RESTRICTED TO: -
		CUSTOMER DRAWING	SCALE: 4:1	SHEET: 1 OF 1
			REV: K2	

# Mouser Electronics

Authorized Distributor

Click to View Pricing, Inventory, Delivery & Lifecycle Information:

[TE Connectivity:](#)

[87159-1](#)