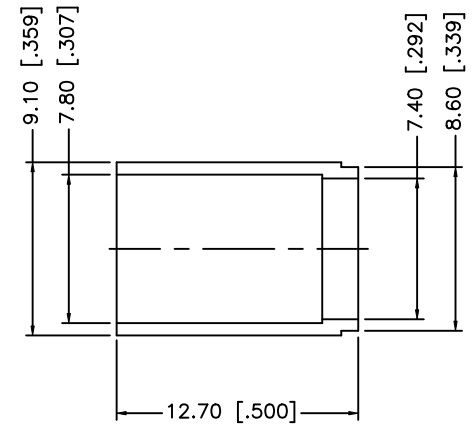
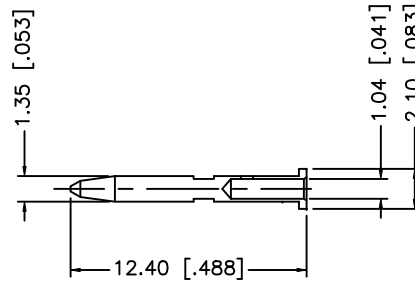
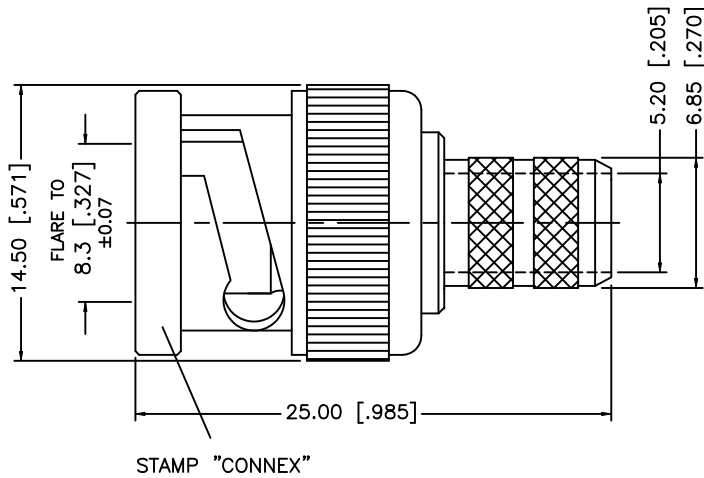
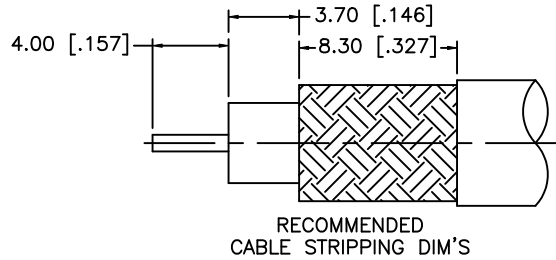


REV.	DATE	ECR NO.	DESCRIPTION
NC	04/03/97	-	INITIAL RELEASE
A	05/01/04	-	UPDATE DRAWING FORMAT
B	10/27/08	-	ADD NOTES 1 AND 2



NOTES:

1. CRIMP FERRULE HEX CRIMP SIZE .320" [8.13]
2. CRIMPED CONTACT PIN SQ. CRIMP .043" [1.09] OR 12 INDENT CRIMP.

8				
7				
6				
5				
4	FERRULE	COPPER	NICKEL	1
3	CONTACT PIN	BRASS	GOLD	1
2	INSULATOR	PTFE	NATURAL	1
1	BODY	BRASS	NICKEL	1
	DESCRIPTION	MATERIAL	FINISH	QTY

UNLESS OTHERWISE SPECIFIED DIMENSIONS ARE IN MILLIMETERS. DIMENSIONS IN [] ARE IN INCHES AND FOR CUSTOMER REFERENCE ONLY.

UNLESS OTHERWISE SPECIFIED TOLERANCES FOR MILLIMETERS ARE:
0.5 - 8mm ± 0.20mm
8 - 30mm ± 0.40mm
30 - 120mm ± 0.50mm

UNLESS OTHERWISE SPECIFIED TOLERANCES FOR INCHES ARE:
.020 - .315 = ± 0.007"
.315 - 1.180 = ± 0.015"
1.180 - 4.724 = ± 0.020"

DO NOT SCALE DRAWING

APPROVALS		DATE
DRAWN	GRS	10/27/08
CHECKED		
ISSUED		
SHEET	1 OF 1	
CAD FILE	C:/112/112957.DWG	

Amphenol Connex

PART DESCRIPTION

**BNC CRIMP PLUG
(RG6 PLENUM/BELDEN 1694A)**

PART NO.

112957

DWG. NO.

112957.DWG

REV. B

SIZE A

SCALE NA

Mouser Electronics

Authorized Distributor

Click to View Pricing, Inventory, Delivery & Lifecycle Information:

[Amphenol:](#)

[112957](#)