

LOC	DIST	REVISIONS					
		P	LTR	DESCRIPTION	DATE	DWN	APVD
A1	-		A1	Neuerstellung	24MAY2002	H.K.	B.S.

**REVISIONSSTAND, ABBILDUNG
UND BEMASSUNG SIEHE ZEICHNUNG
NR. 1534796 (A1 FORMAT)**


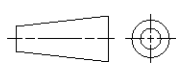
**REVISION RECORD, SHAPE AND
DIMENSION SEE DRAWING NO.
1534796 (SIZE A1)**

2001

RELEASED FOR PUBLICATION

THIS DRAWING IS UNPUBLISHED.

© COPYRIGHT 2001 BY TYCO ELECTRONICS CORPORATION. ALL RIGHTS RESERVED.

DIMENSIONS: mm	DWN	H. Karabiyik	24MAY2002	MATERIAL	-	FINISH	-
	CHK	B. Schnaubelt	24MAY2002	 tyco Electronics AMP GmbH D - 64625 Bensheim			
TOLERANCES UNLESS OTHERWISE SPECIFIED:	APVD	T. Klenner	24MAY2002				
0 PLC ±	PRODUCT SPEC	NAME					
1 PLC ±	-	AMP DUOPLUG 2.5 MKII					
2 PLC ±	APPLICATION SPEC	FEMALE CONNECTOR 11-20 POSN.					
3 PLC ±	-	SIZE	CAGE CODE	DRAWING NO	RESTRICTED TO		
4 PLC ±	-	A 4	00779	C=1534797	-		
ANGLES ±	WEIGHT	-	CUSTOMER DRAWING				
		SCALE	-	SHEET	1	OF	1
				REV	A1		

Mouser Electronics

Authorized Distributor

Click to View Pricing, Inventory, Delivery & Lifecycle Information:

[TE Connectivity:](#)

[3-1534797-2](#)