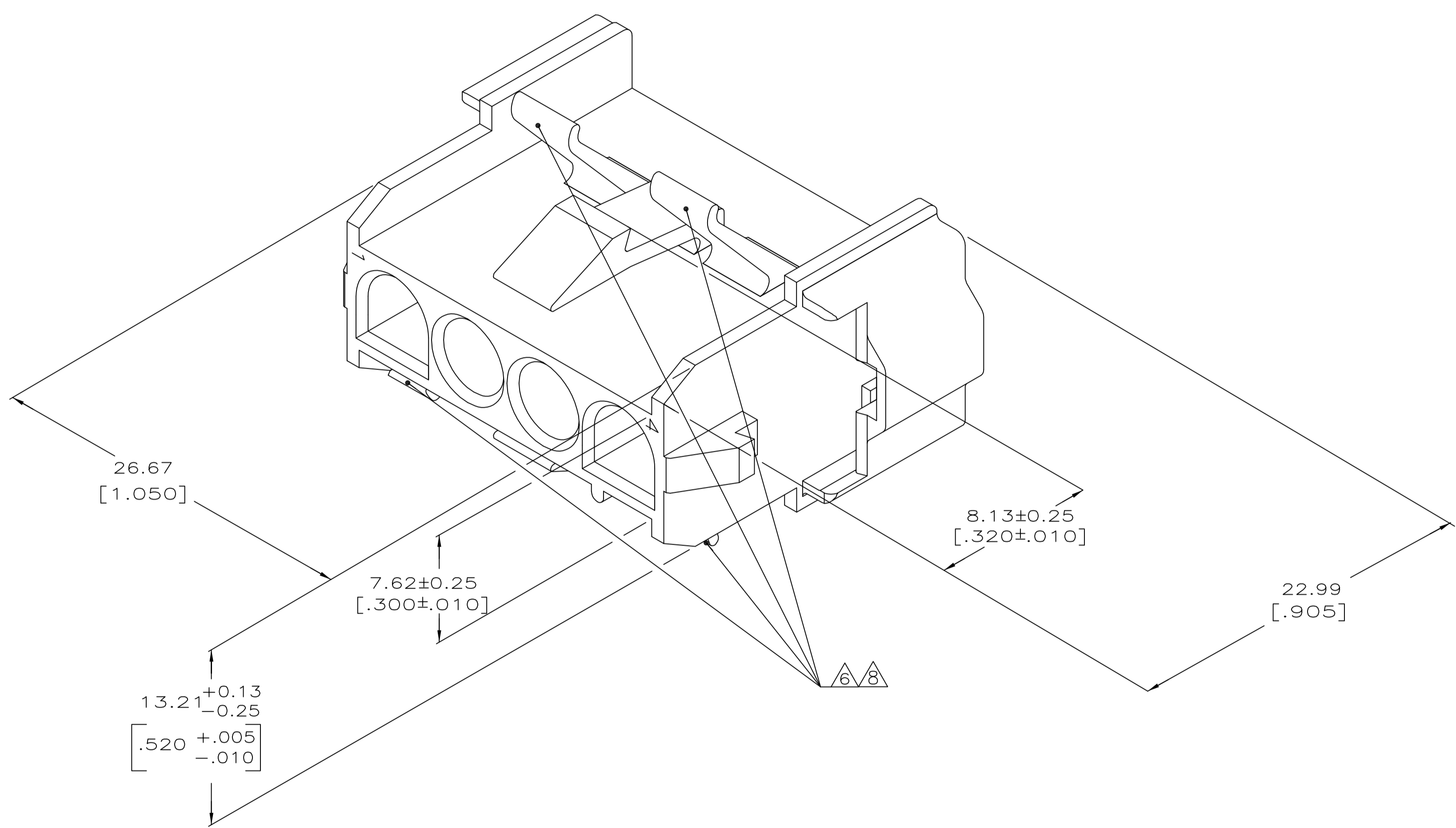
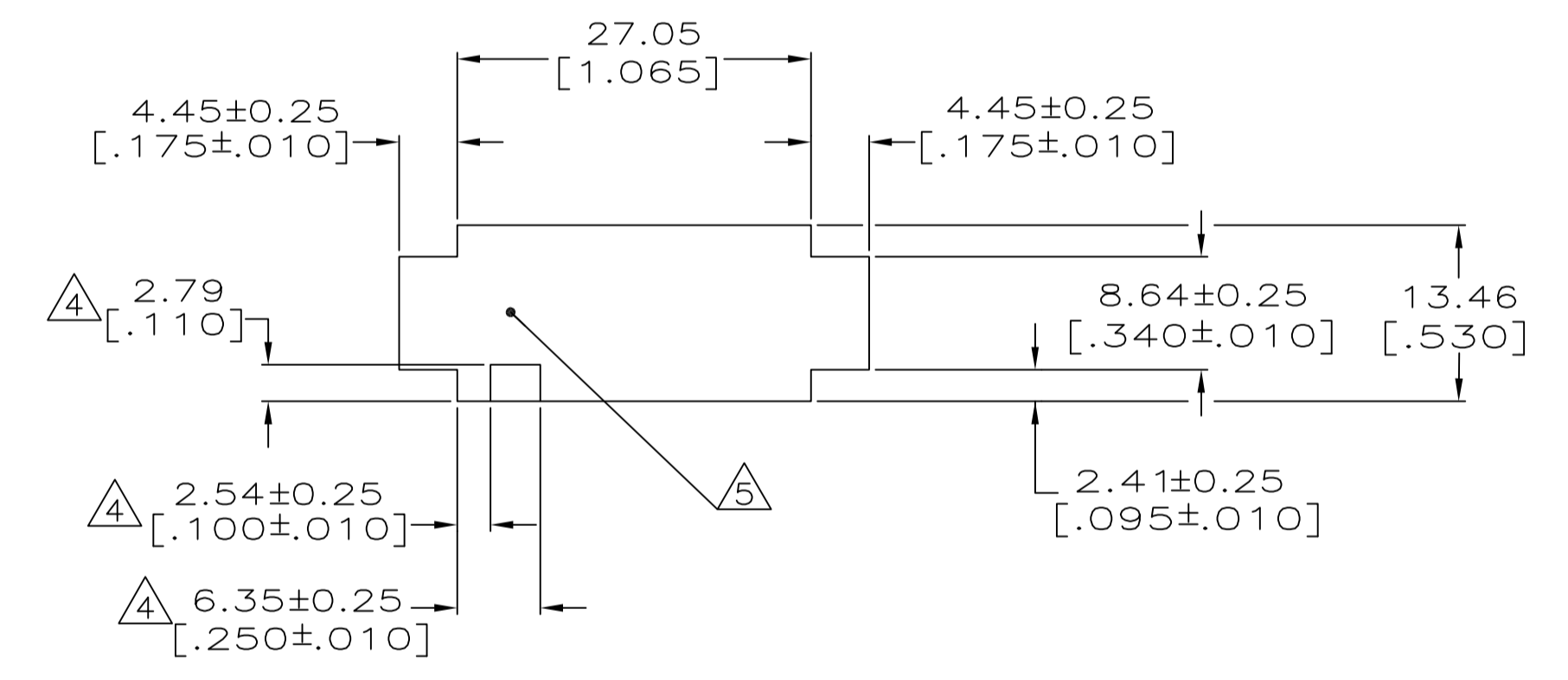


REVISIONS				
P	LTR	DESCRIPTION	DATE	APVD
E2		REV. ECO-17-011267	05SEP2017	HC KR



1. MUST BE ASSEMBLED WITH CAP REAR P/N 770050-1 BEFORE MATING. KIT P/N IS 770026-1.
2. RECOMMENDED PANEL THICKNESS 0.76-2.29 [.030-.090].
3. PANEL MUST BE PUNCHED SO THAT THE HOUSING ENTERS THE PANEL IN THE SAME DIRECTION AS THE PUNCH.
4. OPTIONAL FOR KEYING HOUSING IN PANEL.
5. CIRCUIT NUMBER 1 LOCATION.
6. AMP LOGO LOCATED ONCE ON ANY INDICATED SURFACE FARSIDE.
7. DIMENSIONS SHOWN REPRESENT PRODUCT IN DRY, AS MOLDED, CONDITION. ADDITIONAL 2% GROWTH DUE TO SUBSEQUENT MOISTURE ABSORPTION MAY OCCUR AND SHOULD BE ACCOUNTED FOR.
8. CSA LOGO LOCATED ONCE ON ANY INDICATED SURFACE



RECOMMENDED PANEL CUTOUT
 (HOUSING ENTRY SIDE)
 SCALE 2:1
 2 3



770049-1
 PART NUMBER

THIS DRAWING IS A CONTROLLED DOCUMENT.		DWN K. SALMON 1-15-92	TE Connectivity	
DIMENSIONS: INCHES		CHK R. SWING 1-15-92	CAP FRONT, 4 CIRCUIT, UNIVERSAL MATE-N-LOK	
TOLERANCES UNLESS OTHERWISE SPECIFIED:		APVD -	-	
0 PLC ± -	PRODUCT SPEC	-		
1 PLC ± -	APPLICATION SPEC	-		
2 PLC ± -	WEIGHT	0.000000		
3 PLC ± 0.13 [.005]	MATERIAL	NYLON,UL94V-0.		
4 PLC ± -	FINISH	-		
ANGLES ± -	CUSTOMER DRAWING	A1 00779 C=770049		
SCALE 5:1		SHEET 1 OF 1		REV E2

D
C
B
A

Mouser Electronics

Authorized Distributor

Click to View Pricing, Inventory, Delivery & Lifecycle Information:

[TE Connectivity:](#)

[770049-1](#)