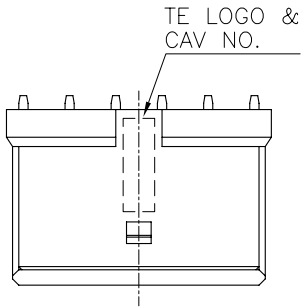
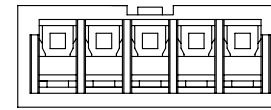
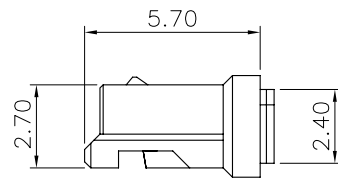
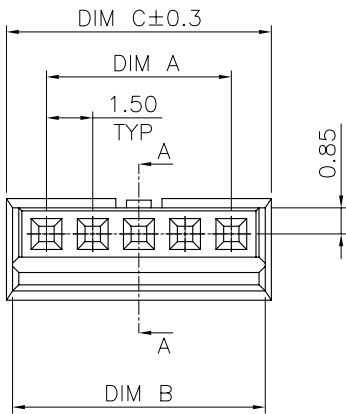
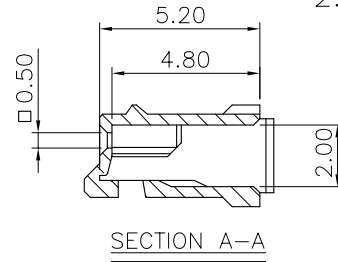


LOC		DIST		REVISIONS			
P	LTR	DESCRIPTION		DATE	DWN	APVD	
B		REVISED (ECR-11-024441)		02DEC11	JL	WK	

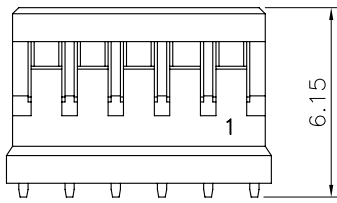


NOTES:

- MATERIALS:  
HOUSING: THERMOPLASTIC, UL 94-V0, COLOR: NATURAL.
- APPLY TERMINAL PART NO: 1775442-1.



23.60	23.20	21.00	15	1-1775441-5
22.10	21.70	19.50	14	1-1775441-4
20.60	20.20	18.00	13	1-1775441-3
19.10	18.70	16.50	12	1-1775441-2
17.60	17.20	15.00	11	1-1775441-1
16.10	15.70	13.50	10	1-1775441-0
14.60	14.20	12.00	9	1775441-9
13.10	12.70	10.50	8	1775441-8
11.60	11.20	9.00	7	1775441-7
10.10	9.70	7.50	6	1775441-6
8.60	8.20	6.00	5	1775441-5
7.10	6.70	4.50	4	1775441-4
5.60	5.20	3.00	3	1775441-3
4.10	3.70	1.50	2	1775441-2
C	B	A	POS.	PART NUMBER
DIMENSIONS				



THIS DRAWING IS A CONTROLLED DOCUMENT.		DWN J. LAI 19AUG2009	TE Connectivity	
DIMENSIONS: MM		CHK S. CHIEN 19AUG2009		
TOLERANCES UNLESS OTHERWISE SPECIFIED:		APVD W. KODAMA 19AUG2009	NAME	
0 PLC ± - 1 PLC ± 0.25 2 PLC ± 0.15 3 PLC ± 0.10 4 PLC ± - ANGLES ± 3°		PRODUCT SPEC 108-57631	EMIX CONN., 1.5mm PITCH RCPT, HOUSING	
MATERIAL SEE NOTE		QUALIFICATION TEST REPORT 501-57736	SIZE A3	CAGE CODE 00779
FINISH SEE NOTE		WEIGHT - GRAMS	DRAWING NO G=1775441	RESTRICTED TO -
CUSTOMER DRAWING			SCALE -	SHEET 1 OF 2
			REV B	

4

3

2

1

THIS DRAWING IS UNPUBLISHED.

RELEASED FOR PUBLICATION

AUG., 2006.

© COPYRIGHT 2009

BY TYCO ELECTRONICS CORPORATION.

ALL RIGHTS RESERVED.

LOC

DIST

REVISIONS

P

LTR

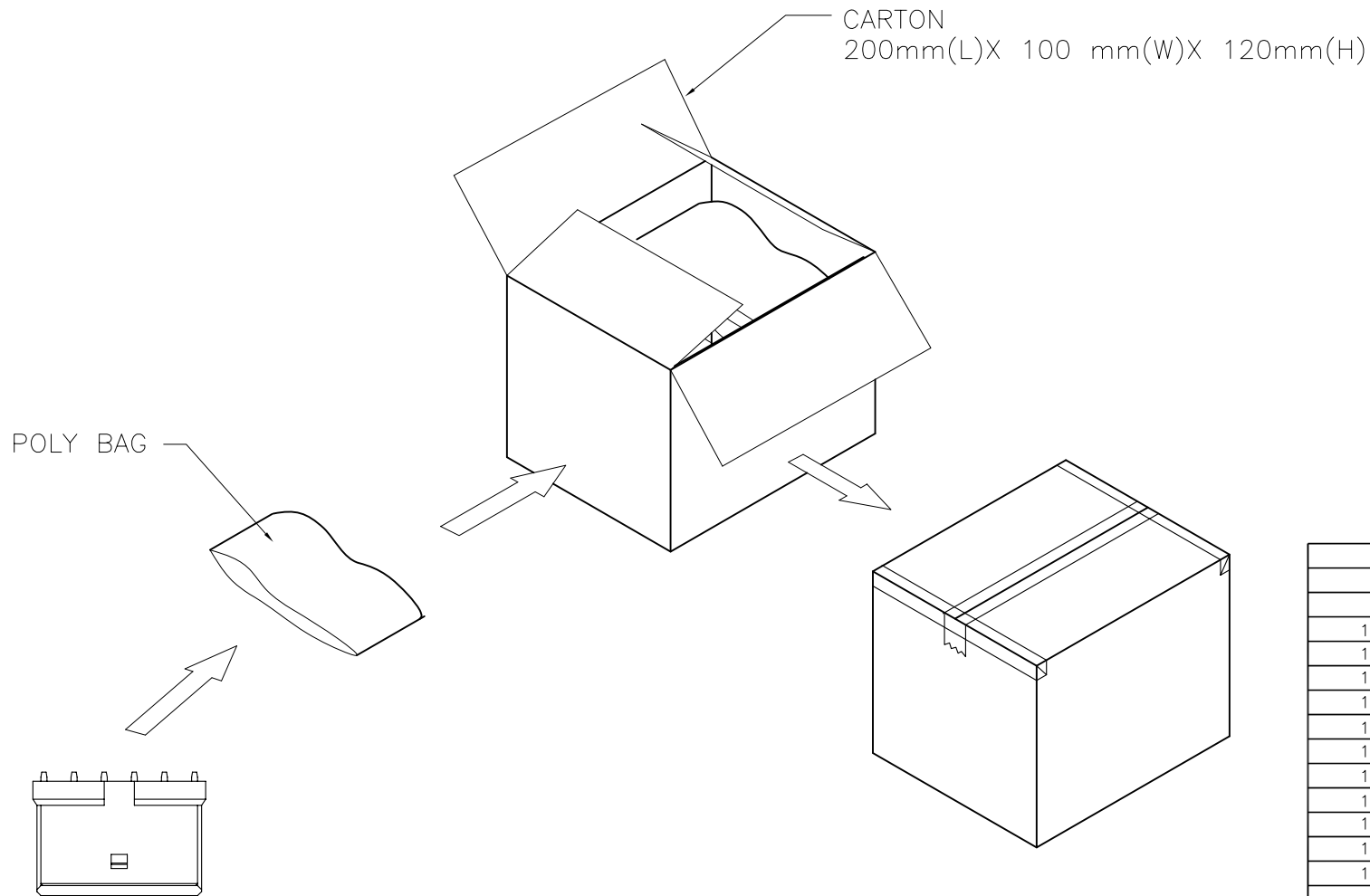
DESCRIPTION

DATE

DWN

APVD

SEE SHEET 1.



8,000	1,000	15	1-1775441-5
8,000	1,000	14	1-1775441-4
8,000	1,000	13	1-1775441-3
10,000	1,000	12	1-1775441-2
10,000	1,000	11	1-1775441-1
10,000	1,000	10	1-1775441-0
12,000	1,000	9	1775441-9
12,000	1,000	8	1775441-8
12,000	1,000	7	1775441-7
12,000	1,000	6	1775441-6
12,000	1,000	5	1775441-5
12,000	1,000	4	1775441-4
12,000	1,000	3	1775441-3
12,000	1,000	2	1775441-2
APQ (PCS/CARTON)	PPQ (PCS/BAG)	POS.	PART NUMBER

THIS DRAWING IS A CONTROLLED DOCUMENT.

DIMENSIONS: MM		TOLERANCES UNLESS OTHERWISE SPECIFIED:	
		0 PLC ± -	
		1 PLC ± -	
		2 PLC ± -	
		3 PLC ± -	
		4 PLC ± -	
		ANGLES ± -	
MATERIAL		FINISH	

CHK	DWN
APVD	NAME
PRODUCT SPEC	
APPLICATION SPEC	
WEIGHT	
CUSTOMER DRAWING	

**STE** TE Connectivity

EMIX CONN., 1.5mm PITCH RCPT, HOUSING

SIZE	CAGE CODE	DRAWING NO	RESTRICTED TO
A3	00779	G=1775441	

SCALE: - SHEET: 2 OF 2 REV: B

# Mouser Electronics

Authorized Distributor

Click to View Pricing, Inventory, Delivery & Lifecycle Information:

[TE Connectivity:](#)

[1775441-8](#)