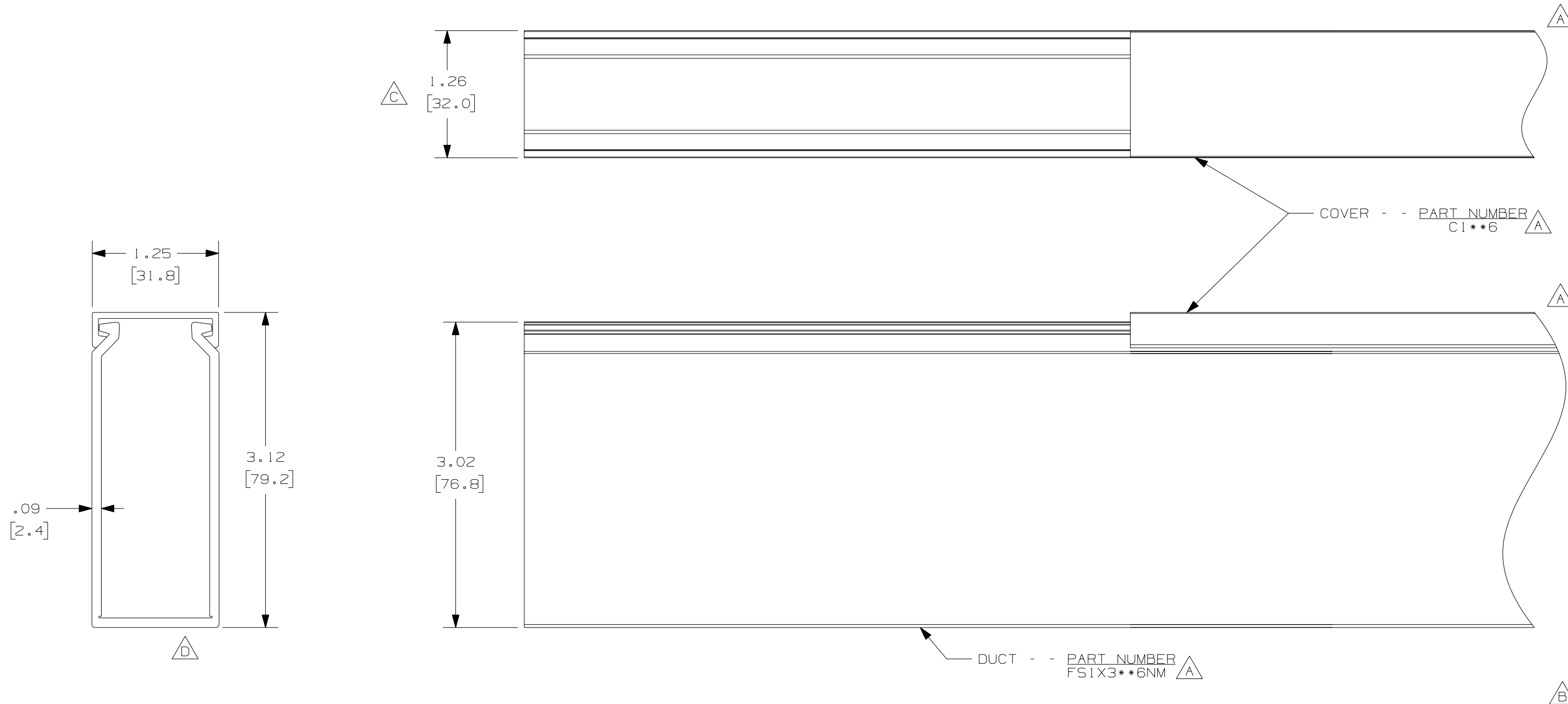


THIS COPY IS PROVIDED ON A RESTRICTED BASIS AND IS NOT TO BE USED IN ANY WAY DETRIMENTAL TO THE INTERESTS OF PANDUIT CORP.



A **E**

NOTE.

1. ALL DIMENSIONS ARE REFERENCE ONLY.
2. DIMENSIONS IN PARENTHESES ARE METRIC.
3. THE ** DENOTE COLOR.
4. DUCT AND COVER ARE AVAILABLE IN 6 FT (1828.8) LENGTHS.

				CAD FILENAME/LAYERS D11000EW_DC_02B			
				PANDUIT CORP. TINLEY PARK, ILLINOIS			
				WIRING DUCT - TYPE FS WITH COVER 1 X 3 MARKETING DRAWING			
2	8-6-07	JCST	MKBE	D. DELETED DIMENSION C. ADDED DIMENSION	DRAWN BY JHNU	MAT'L: PVC	SCALE FULL
1	10-14-05	JCST	MKBE	B. CHANGED DRAWING SIZE A. ADDED SIDE & TOP VIEWS, LABELS, AND NOTE	DATE 10-2-03		DRAWING NO. 36897-895
R	10-2-03	JHNU	JGG	DRAWING RELEASED	CHECKED BY JGG		DWG B SIZE
REV	DATE	BY	CHK	DESCRIPTION			

Mouser Electronics

Authorized Distributor

Click to View Pricing, Inventory, Delivery & Lifecycle Information:

[Panduit:](#)

[FS1X3LG6NM](#)