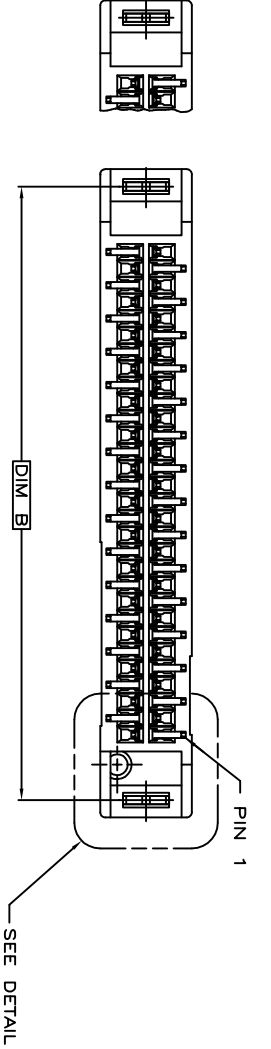
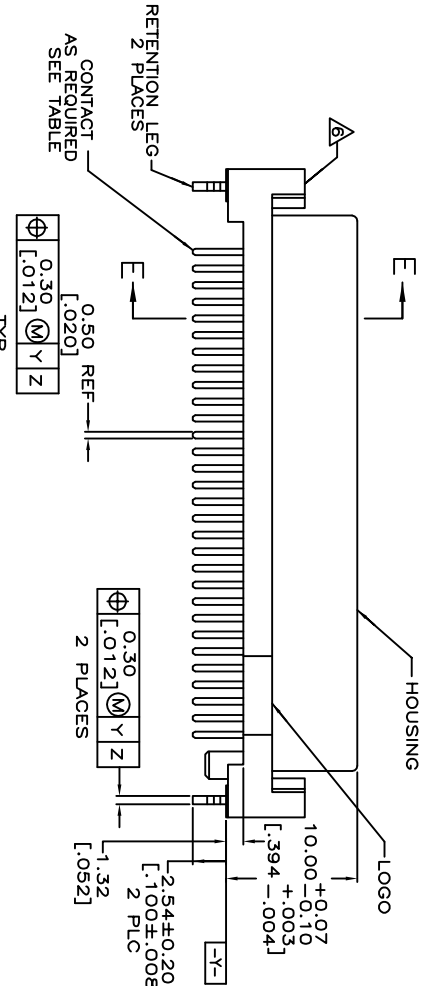
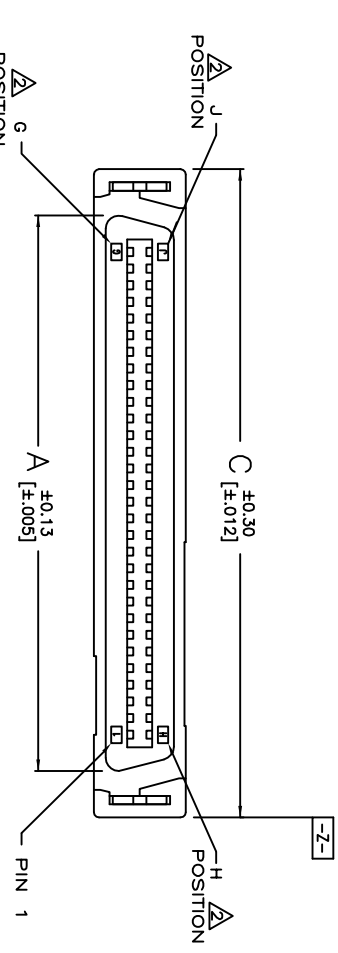
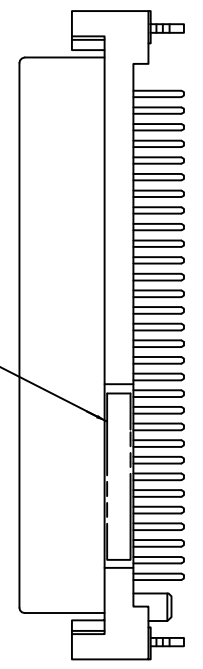


LOC	DIST	REV	DESCRIPTION	DATE	DWN	APVD
DW		E2	REVISED. ECR-15-016136	06NOV2015	J.W	S.H

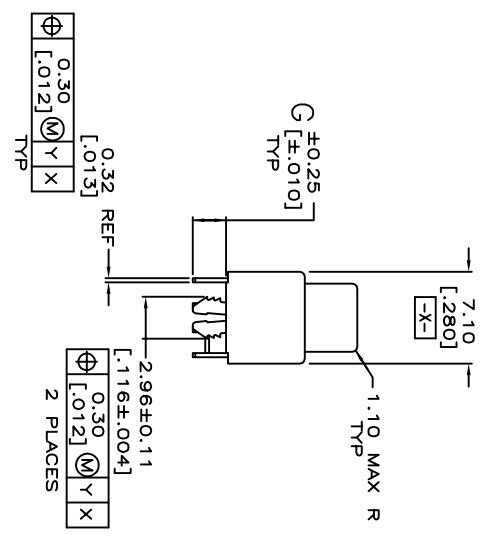


▲ MATERIALS: PPA RESIN, BLACK, MOLDING COMPOUND.

▲ HOUSING- PHOSPHOR BRONZE PLATED WITH MINIMUM THICK (SEE TABLE) GOLD IN CONTACT AREA AND 3.8µm [0.000150] MINIMUM THICK MATTE TIN ON SOLDER TINES OVER 1.27µm THICK MINIMUM THICK NICKEL UNDERPLATE.

▲ RETENTION LEG- BRASS PLATED WITH 3.8µm [0.000150] MINIMUM TIN-Cu OVER 1.3µm [0.000051] MINIMUM NICKEL UNDERPLATE.

- ▲ G, J, AND H INDICATE NUMBER OF POSITION MARKED ON ASSEMBLY. ALSO SEE TABLE.
- ▲ ALL DIMENSIONS SHOWN ARE MAXIMUM UNLESS OTHERWISE SPECIFIED.
4. 60 POSITION AS SHOWN.
- ▲ RETENTION LEGS NOT PRESENT.
- ▲ TOP OF RETENTION LEG MAY NOT PROTRUDE ABOVE THIS SURFACE.
- ▲ HOUSING BOW UP TO 0.30 [0.012] ALLOWED.
- ▲ CONNECTOR WILL ACCOMMODATE MATING PRINTED CIRCUIT BOARD OF 1.6±0.07 [0.063±.003] THICKNESS.
9. ALWAYS ROHS/EUV COMPLIANT.
10. WAVE SOLDER CAPABLE TO 265 C PER TE SPEC 109-202, CONDITION B.
- ▲ REMOVE CONTACT POSITION FROM #11-#17 AND #36-#42.
- ▲ RECOMMEND CARD EDGE DIM. (PAGE2)
- ▲ GOLD FLASH OVER 0.762µm [30µ] MIN. PALLADIUM-NICKEL PLATED.
- ▲ OBSOLETE
- ▲ REMOVE CONTACT POSITION FROM #23-#29 AND #57-#63.



THIS DRAWING IS A CONTROLLED DOCUMENT.

DIMENSIONS:		TOLERANCES UNLESS OTHERWISE SPECIFIED:	
MM			
0	PLC	±	▲
1	PLC	±	▲
2	PLC	±	▲
3	PLC	±	▲
4	PLC	±	▲
	ANGLES	±	▲
	FINISH	±	▲

DWN	NAME	APVD	PRODUCT SPEC	QUALIFICATION TEST REPORT	WEIGHT	SIZE	CAGE CODE	DRAWING NO	RESTRICTED TO
F. YANG	S. CHIEN	W. KODAMA	108-57876			A3	00779	1734101	
31MAR2009	31MAR2009	31MAR2009							

REVISIONS

P	LTR	DESCRIPTION	DATE	DWN	APVD
E2		REVISED. ECR-15-016136	06NOV2015	J.W	S.H

RECEPTACLE ASSEMBLY, VERTICAL, BOARD-TO-BOARD, CHAMP.050, SERIES I,

STE TE Connectivity

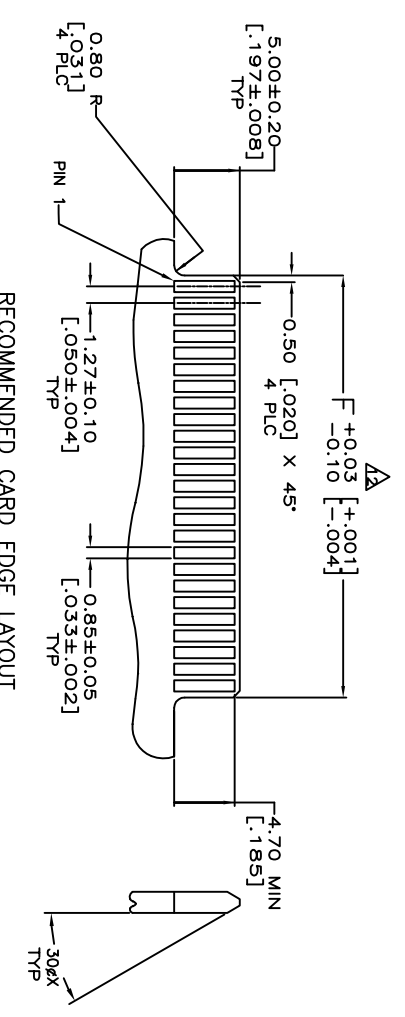
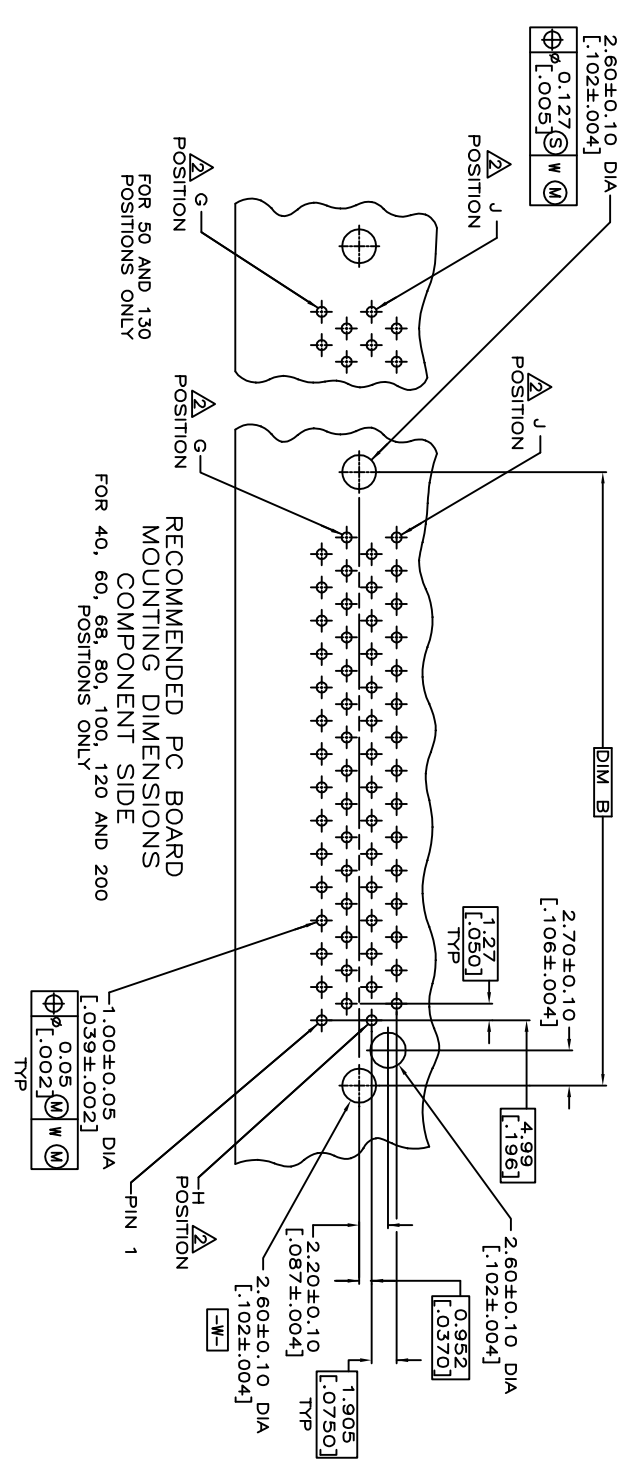
CUSTOMER DRAWING

SCALE 1 OF 4 SHEET REV E2

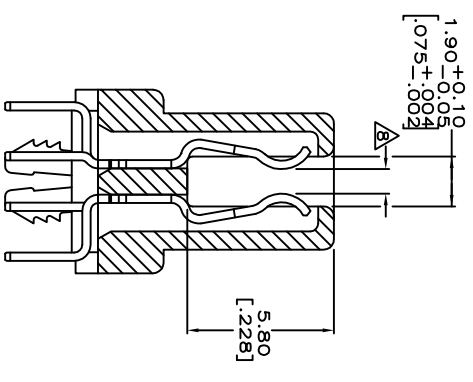
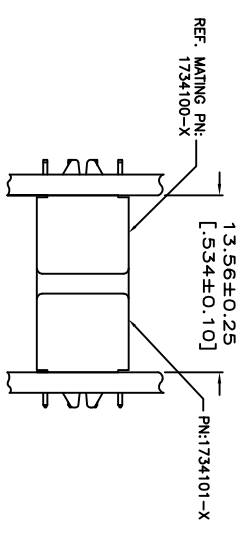
AMP 1470-19 REV 31MAR2000

THIS DRAWING IS UNPUBLISHED.
 © COPYRIGHT BY TYCO ELECTRONICS CORPORATION. ALL RIGHTS RESERVED.
 RELEASED FOR PUBLICATION AUG. 2006.

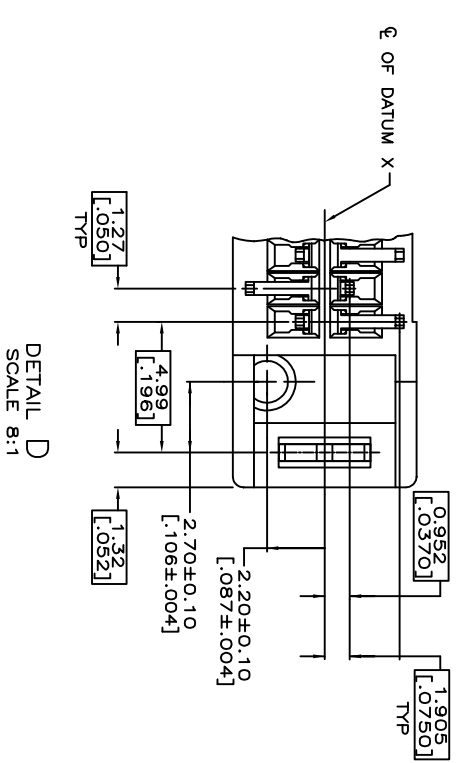
LOC	DIST	REVISIONS	DATE	DWN	APVD
DW					
P	LTR	DESCRIPTION			
		SEE SHEET 1.			



VERTICAL RECEPTACLE ASSEMBLY MATED TO VERTICAL PLUG ASSEMBLY

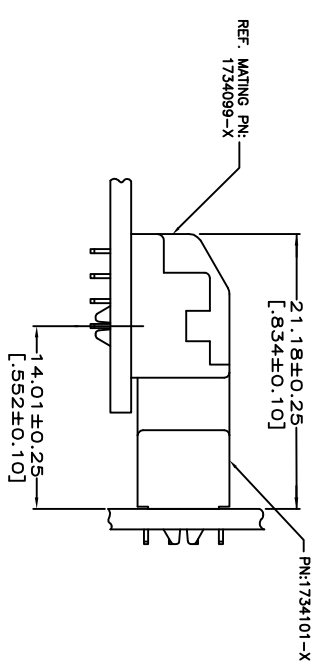


SECTION E-E
SCALE 8:1



DETAIL D
SCALE 8:1

VERTICAL RECEPTACLE ASSEMBLY MATED TO VERTICAL PLUG ASSEMBLY



THIS DRAWING IS A CONTROLLED DOCUMENT.

DIMENSIONS: MM		TOLERANCES UNLESS OTHERWISE SPECIFIED:		DWN		NAME	
0	PLC	±	-	CHK		STE TE Connectivity	
1	PLC	±	-	APVD		RECEPTACLE ASSEMBLY, VERTICAL, BOARD-TO-BOARD, CHAMP.050, SERIES 1,	
2	PLC	±	-	PRODUCT SPEC		SIZE	
3	PLC	±	-	QUALIFICATION TEST REPORT		A3 00779	
4	PLC ANGLES	±	-	WEIGHT		CAGE CODE	
		±	-			G1734101	
MATERIAL				CUSTOMER DRAWING		DRAWING NO	
						SCALE	
						SHEET	
						2 OF 4	
						REV	
						E2	

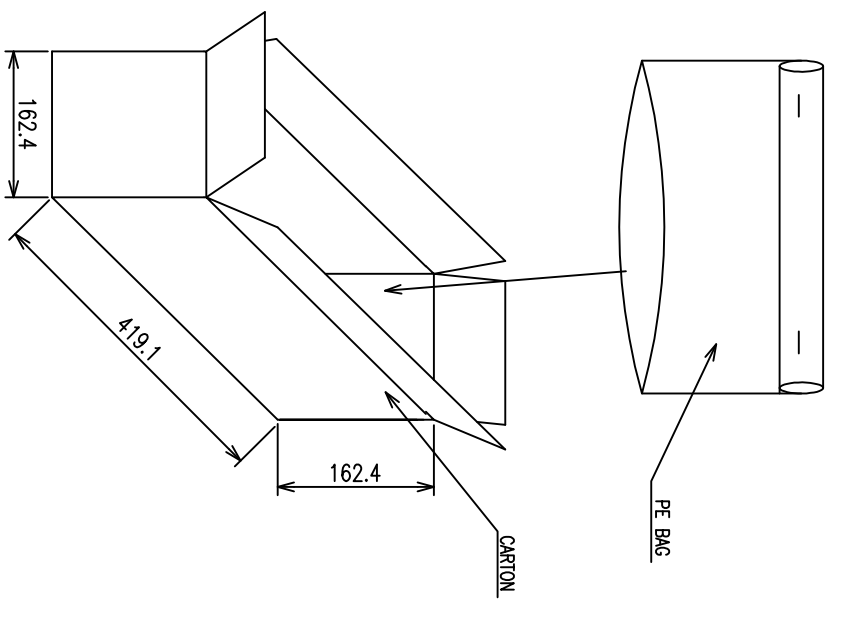
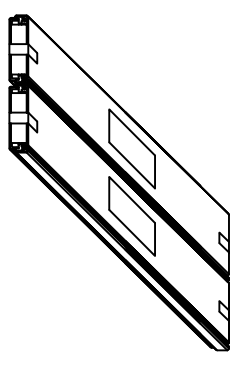
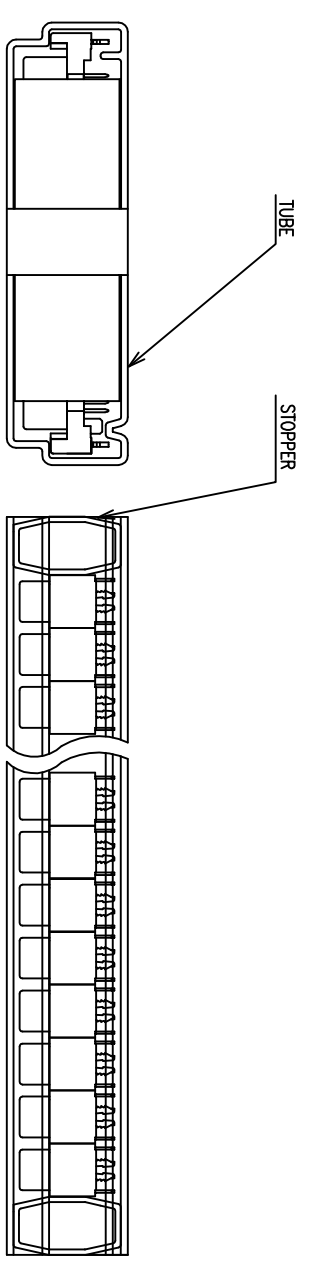
THIS DRAWING IS UNPUBLISHED.
 © COPYRIGHT - BY TYCO ELECTRONICS CORPORATION. ALL RIGHTS RESERVED.

RELEASED FOR PUBLICATION
 AUG. 2006.

Loc DW
 DIST

REVISIONS

P	LTR	DESCRIPTION	DATE	DMN	APVD
		SEE SHEET 1.			

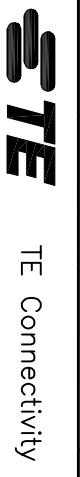


DMN	CHK	APVD	PRODUCT SPEC	QUALIFICATION TEST REPORT	WEIGHT	CUSTOMER DRAWING	G.W./CARTON (KG)	N.W./CARTON (KG)	PCS/TUBE	TUBES/CARTON	QUANTITY/CARTON (PCS)	PART NUMBER	POS.
							4.21	2.89	54	8	432	5-1734101-3	120
							6.84	4.92	54	16	864	3-1734101-1	100
							5.61	4.06	54	16	864	1-1734101-8	80
							5.05	3.63	54	16	864	6-1734101-7	68
							4.65	3.23	54	16	864	7-1734101-7	
							4.28	3.11	54	16	864	4-1734101-6	60
							4.72	3.42	54	16	864	6-1734101-6	
							5.32	4.02	54	24	1296	2-1734101-7	50
							4.42	3.37	54	24	1296	5-1734101-7	40
							6.25	5.36	54	32	1728	3-1734101-7	30
												4-1734101-4	
												6-1734101-4	
												1734101-4	
												4-1734101-3	
												6-1734101-3	
												1734101-3	

THIS DRAWING IS A CONTROLLED DOCUMENT.

TOLERANCES UNLESS OTHERWISE SPECIFIED:
 0 PLC ±
 1 PLC ±
 2 PLC ±
 3 PLC ±
 4, PRC ANGLES ±

DMN
 CHK
 APVD
 PRODUCT SPEC
 QUALIFICATION TEST REPORT
 WEIGHT
 CUSTOMER DRAWING



RECEPTACLE ASSEMBLY,
 VERTICAL, BOARD-TO-BOARD,
 CHAMP.050, SERIES 1,

NAME
 SIZE A3
 CAGE CODE 00779
 DRAWING NO. 1734101
 RESTRICTED TO

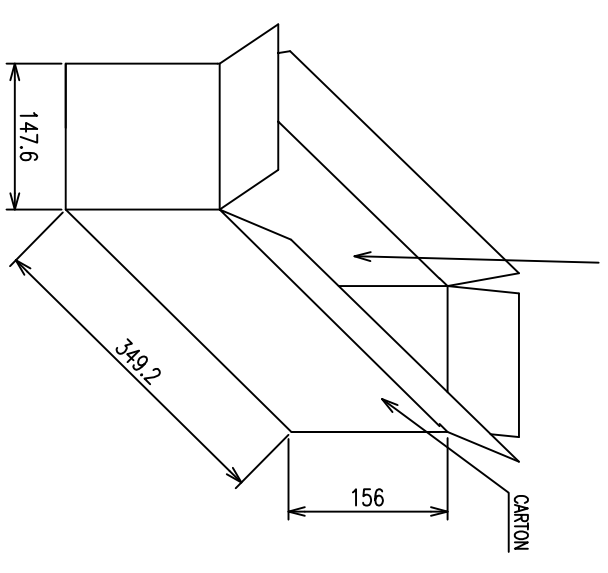
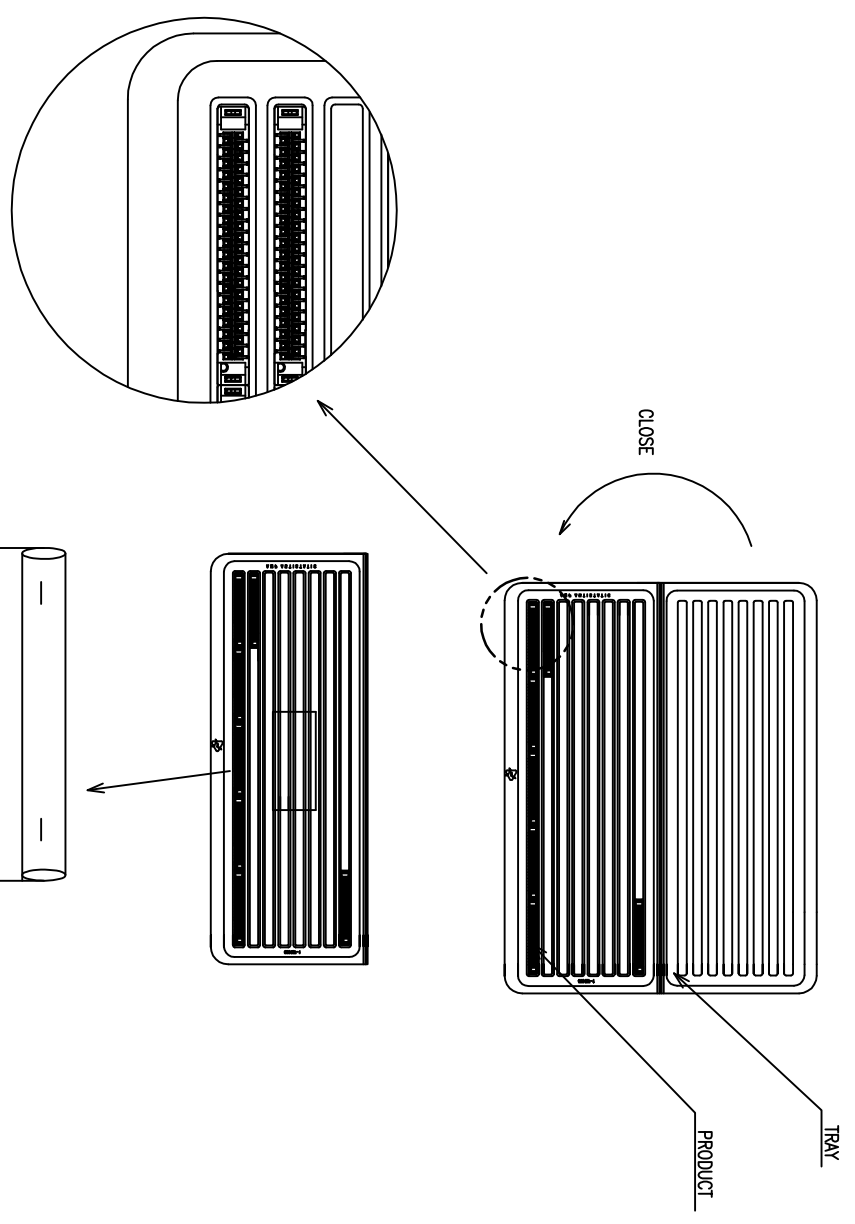
THIS DRAWING IS UNPUBLISHED. RELEASED FOR PUBLICATION AUG. 2006.

© COPYRIGHT BY TYCO ELECTRONICS CORPORATION. ALL RIGHTS RESERVED.

Loc DW DIST

REVISIONS

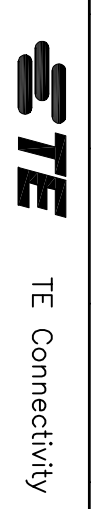
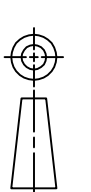
P	LTR	DESCRIPTION	DATE	DWN	APVD
		SEE SHEET 1.			



DESCRIPTION	G.W./CARTON (KG)	N.W./CARTON (KG)	PCS/TRAY	TRAYS/CARTON	QUANTITY/CARTON (PCS)	PART NUMBER	POS.
OBSOLETE	2.69	1.71	16	10	160	5-1734101-6 3-1734101-6 1-1734101-6 5-1734101-5 3-1734101-5 1-1734101-5	200
	2.37	1.39	16	10	160	5-1734101-4 3-1734101-4 1-1734101-4	160
OBSOLETE	2.48	1.50	32	10	320	4-1734101-9 6-1734101-9 1734101-9	80

THIS DRAWING IS A CONTROLLED DOCUMENT.

DIMENSIONS: MM	TOLERANCES UNLESS OTHERWISE SPECIFIED:
0 PLC	± .05
1 PLC	± .05
2 PLC	± .05
3 PLC	± .05
4. ANGLES	± .05



RECEPTACLE ASSEMBLY,
VERTICAL, BOARD-TO-BOARD,
CHAMP.050, SERIES 1,

APVD	NAME	SIZE	CAGE CODE	DRAWING NO	RESTRICTED TO
CHK		A3	00779	1734101	
PRODUCT SPEC					
QUALIFICATION TEST REPORT					
WEIGHT					
CUSTOMER DRAWING					

Mouser Electronics

Authorized Distributor

Click to View Pricing, Inventory, Delivery & Lifecycle Information:

[TE Connectivity:](#)

[1-1734101-2](#)