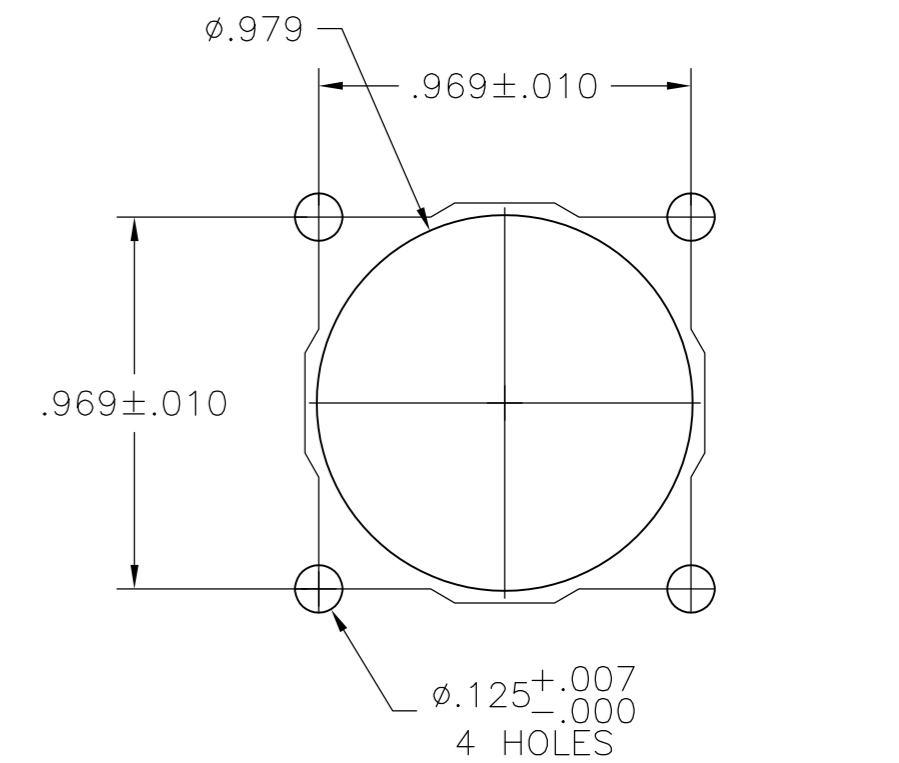
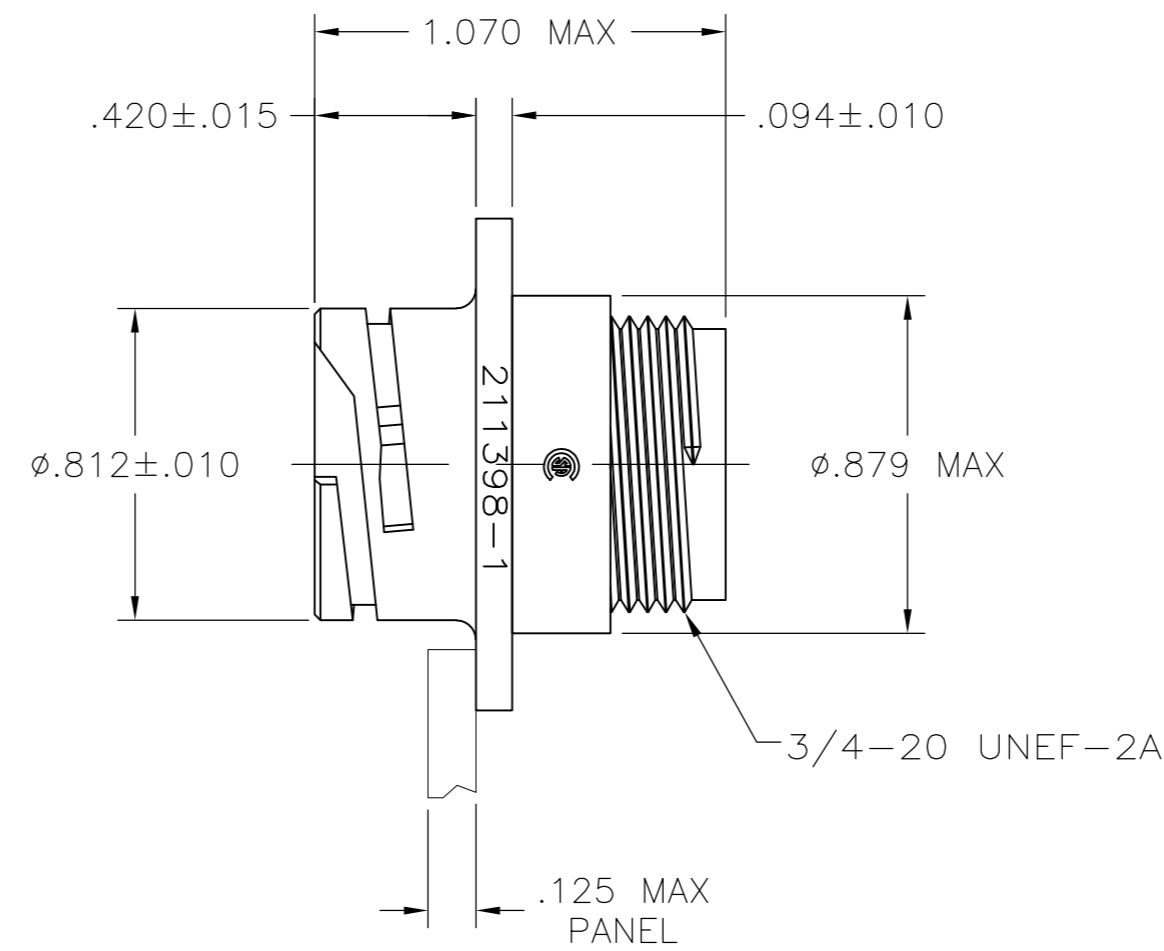
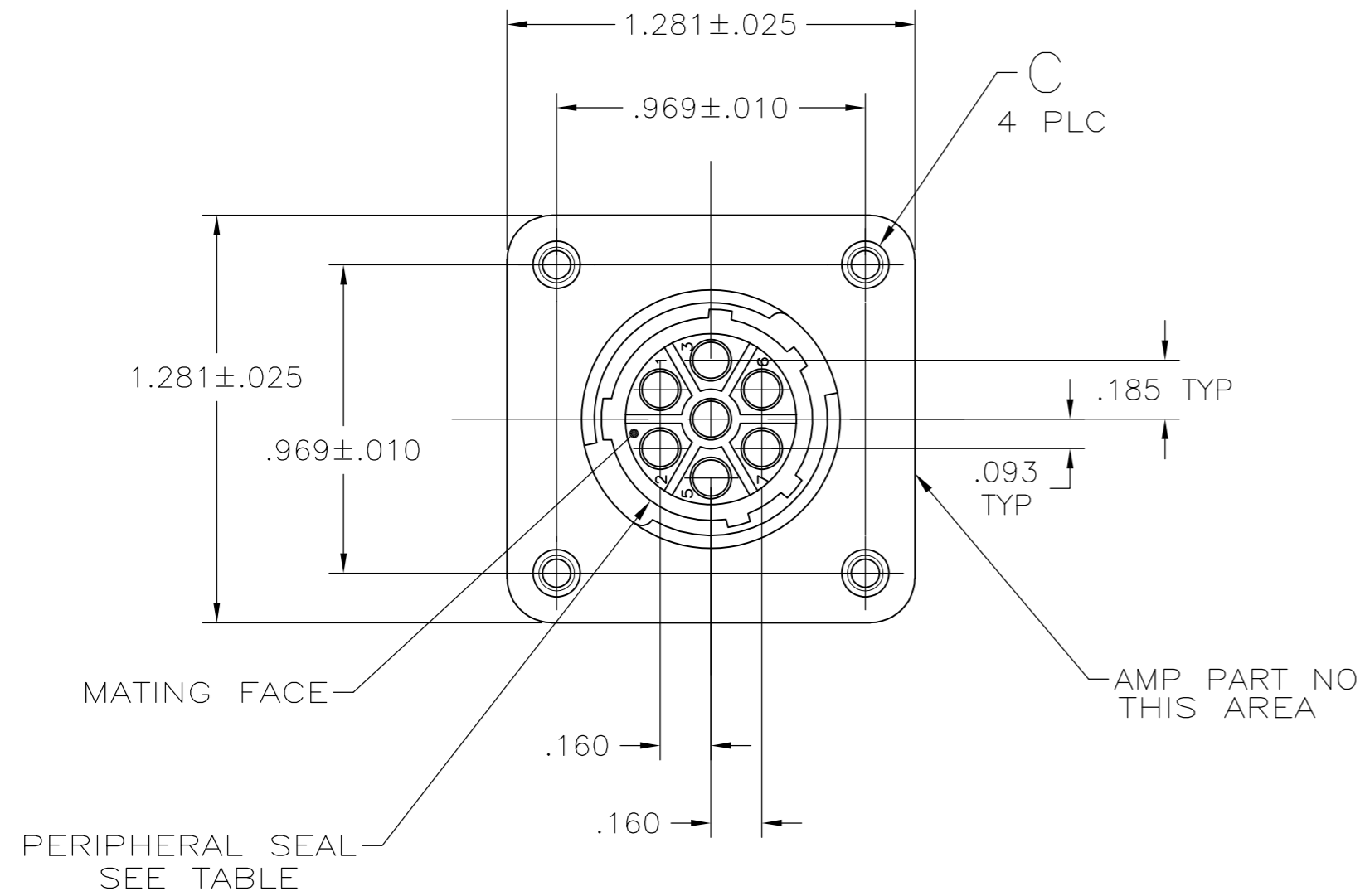


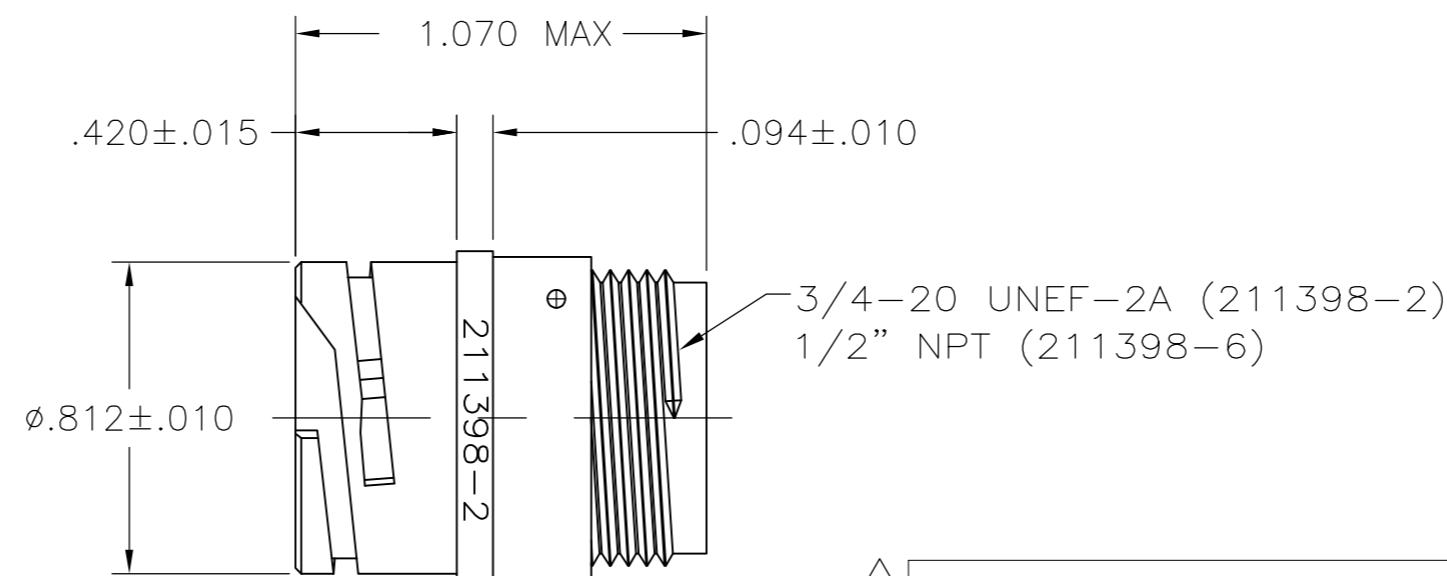
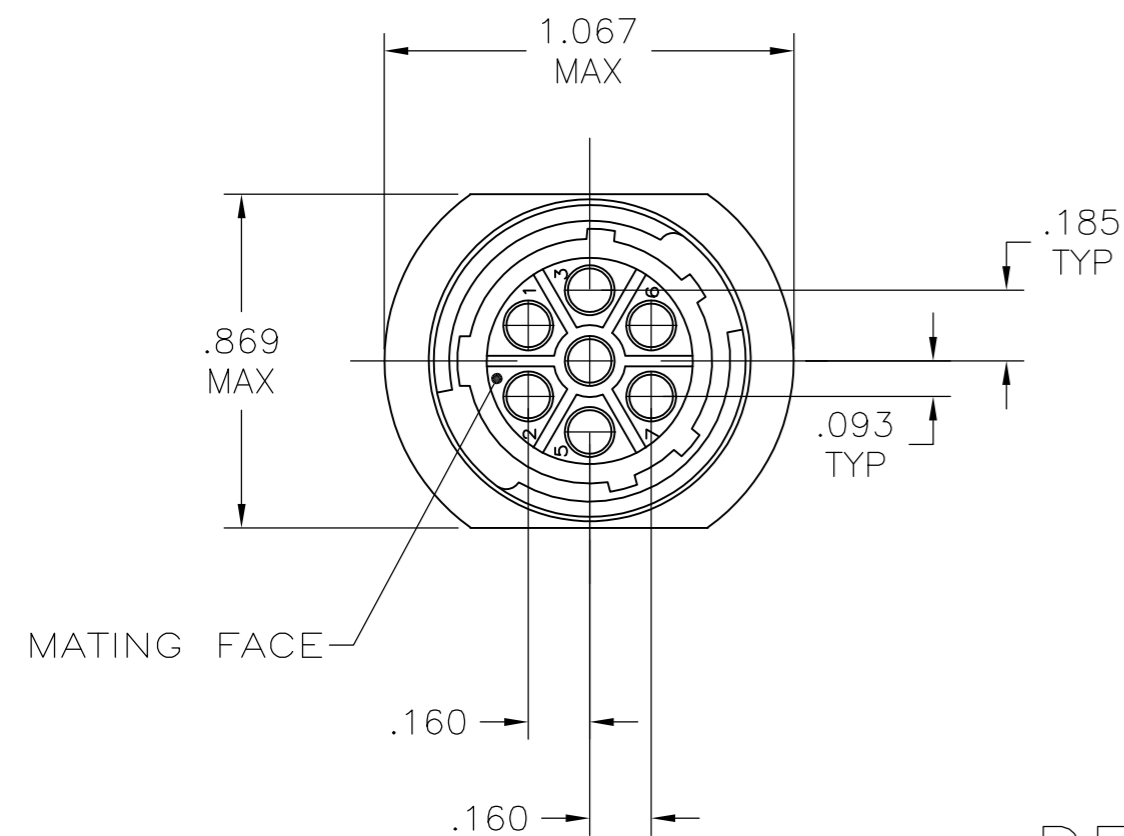
THIS DRAWING IS UNPUBLISHED. RELEASED FOR PUBLICATION
 © COPYRIGHT - By - ALL RIGHTS RESERVED.

REVISIONS					
P	LTR	DESCRIPTION	DATE	DWN	APVD
	K2	REVISED PER ECO-13-006250	12APR2013	KH	ZM
	L	REVISED PER ECO-17-000037	10MAR2017	RS	MZ



RECOMMENDED PANEL CUTOUT

DETAIL A



DETAIL B

3	-	NO	B	211398-6
3	4-40 THREADED INSERTS	YES	A	211398-5
	4-40 THREADED INSERTS	NO	A	211398-4
	φ.150±.003	YES	A	211398-3
	-	NO	B	211398-2
	φ.150±.003	NO	A	211398-1
	C	PERIPHERAL SEAL	SEE DETAIL	PART NUMBER

NOTES:

- CAVITY IDENTIFICATION ON FRONT AND REAR FACE.
- WILL ACCEPT SEVEN (7) MULTIMATE SOCKET CONTACTS.
- OBsolete PART NUMBER.

4 COMPARATIVE TRACKING INDEX OF HOUSING MATERIAL PER UL746A=400 MIN.

THIS DRAWING IS A CONTROLLED DOCUMENT.

DIMENSIONS: INCHES	TOLERANCES UNLESS OTHERWISE SPECIFIED:	DWN 07-27-94 D.HARDY	TE Connectivity	
	0 PLC ± -	CHK 08-10-94 R.STONE	NAME	
	1 PLC ± -	APVD 10-03-94 A.FRANTUM	RECEPTACLE, HOUSING, REVERSE SEX, 13-7, CPC	
	2 PLC ± .005	PRODUCT SPEC	SIZE	CAGE CODE
	3 PLC ± -	APPLICATION SPEC	A2	00779
	4 PLC ± -	WEIGHT	DRAWING NO	
	ANGLES ± 0°30'	RESTRICTED TO	C=211398	
MATERIAL: NYLON, BLACK	FINISH: -	CUSTOMER DRAWING	SCALE: 2:1	SHEET: 1 of 1

Mouser Electronics

Authorized Distributor

Click to View Pricing, Inventory, Delivery & Lifecycle Information:

[TE Connectivity:](#)

[211398-4](#)