

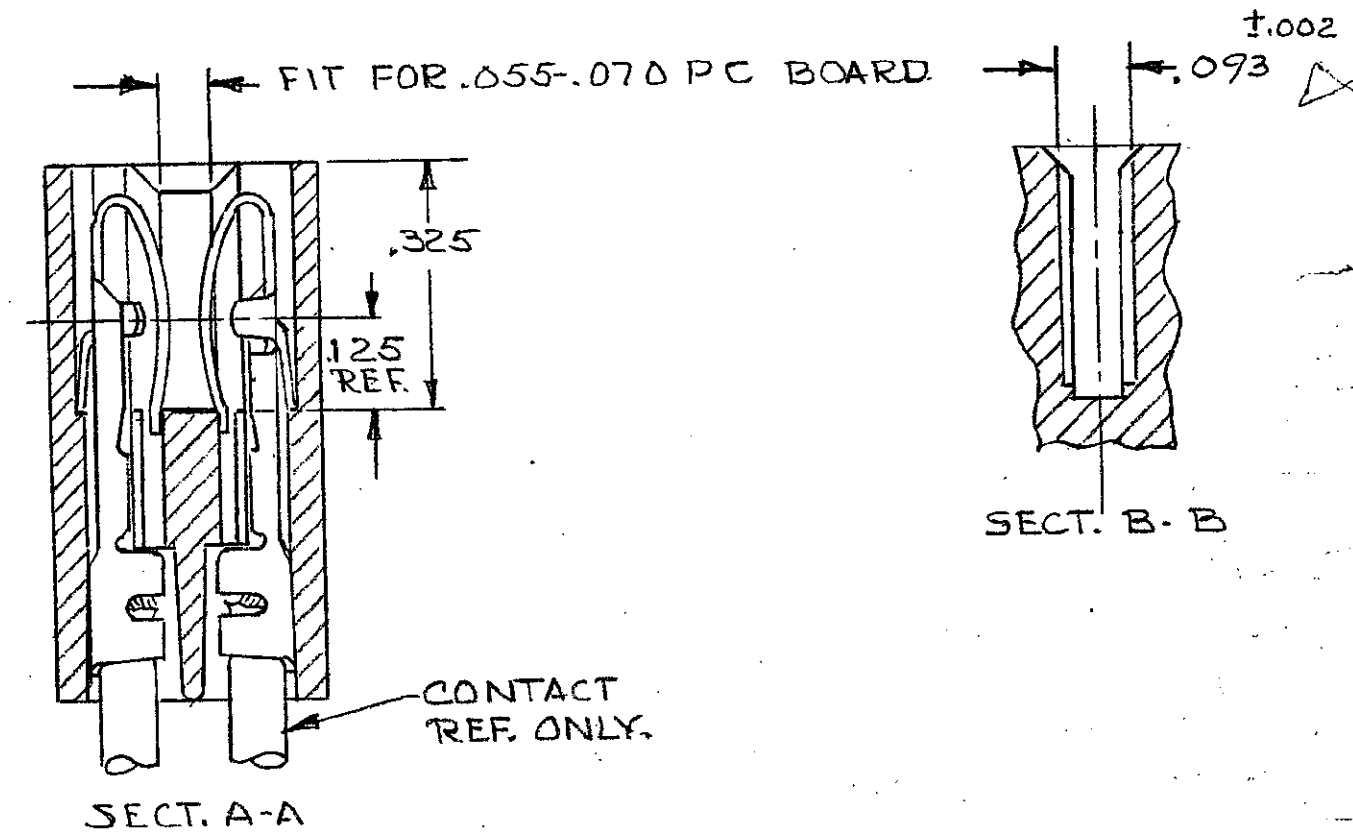
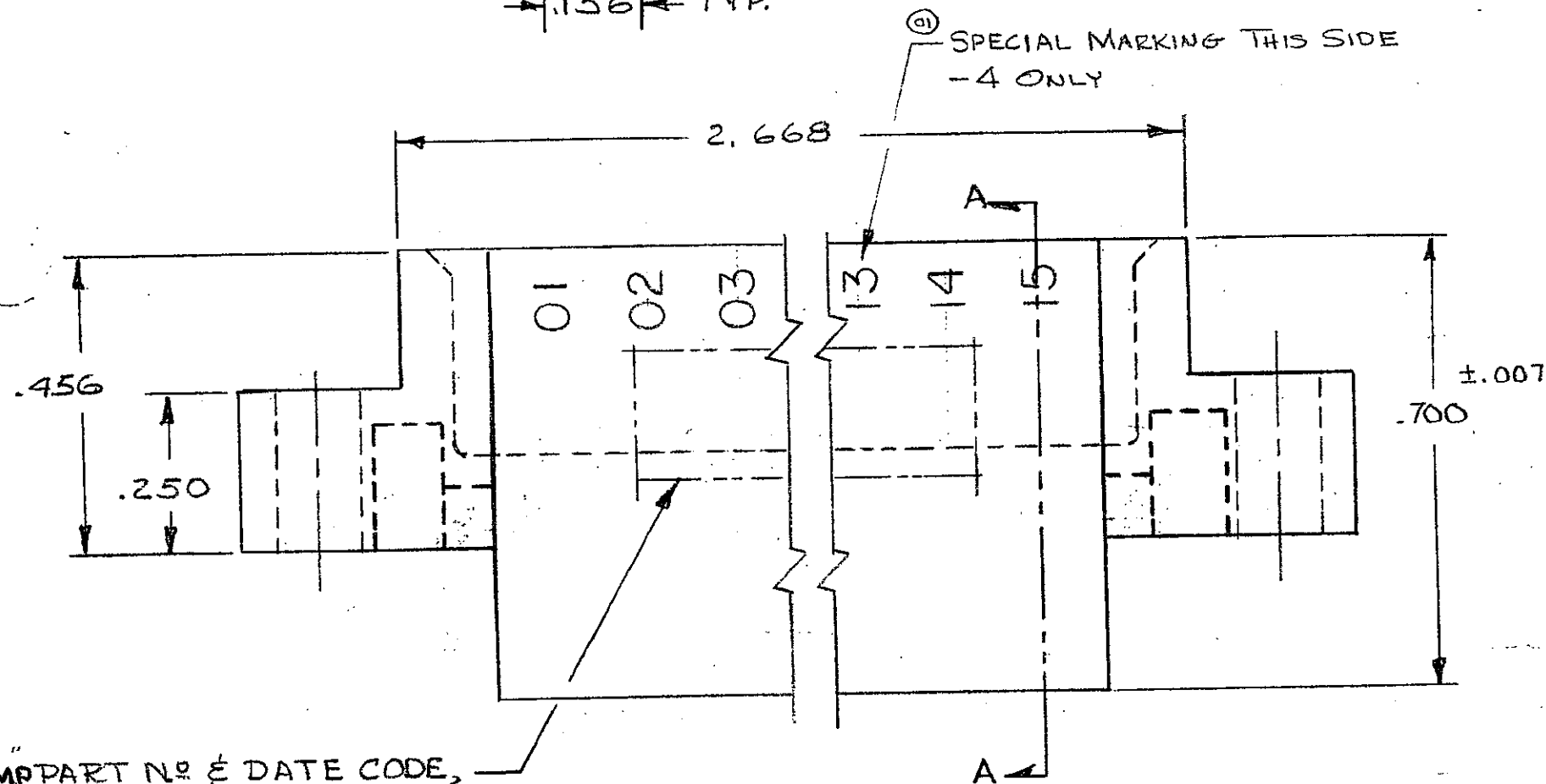
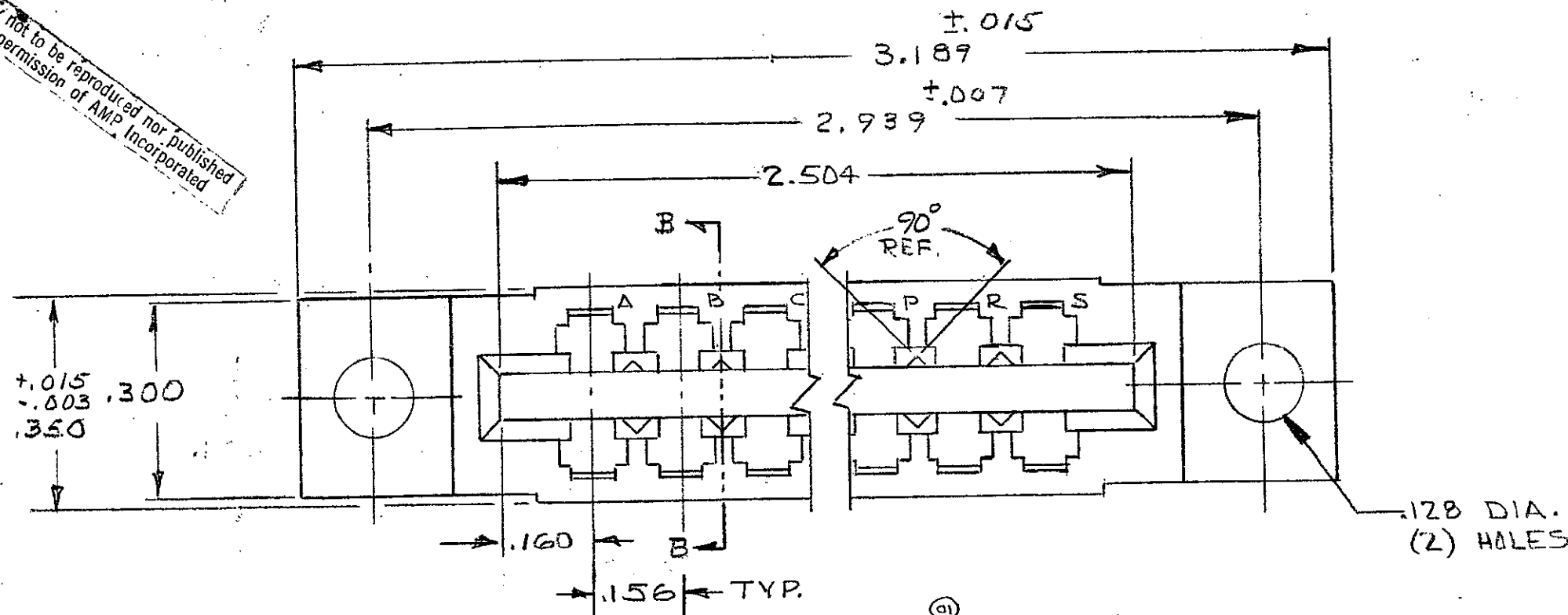
© 1970 BY AMP INCORPORATED. ALL RIGHTS RESERVED. AMP PRODUCTS COVERED BY PATENTS AND/OR PATENTS PENDING.

583680-1: 1.A.S SHOWN

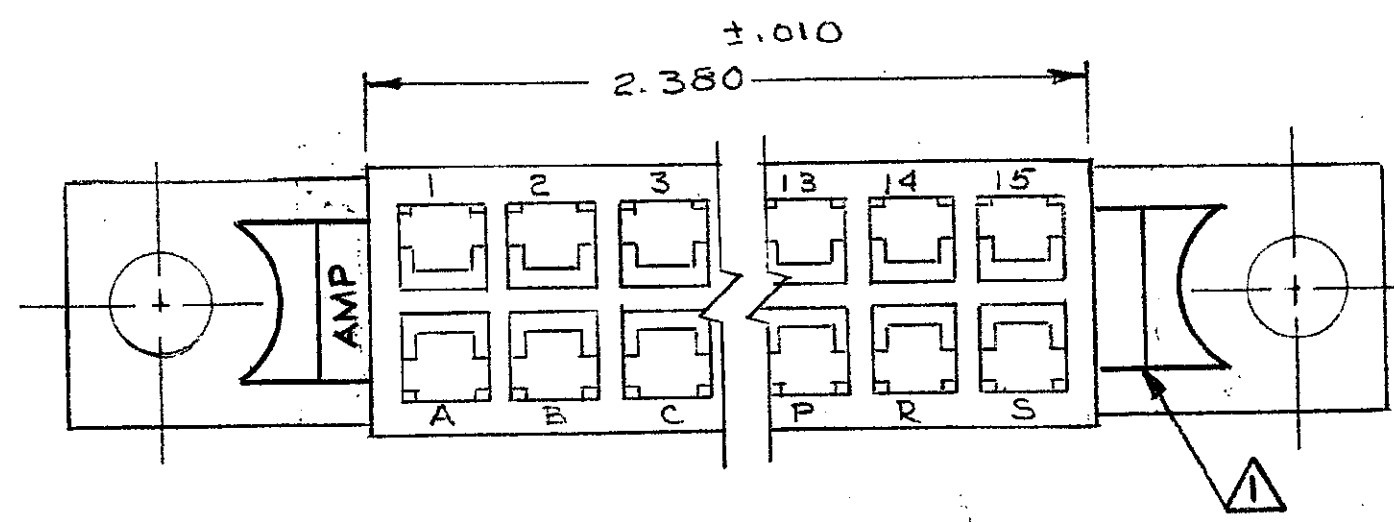
OBSOLETE ~~583680-1: 1.A.S SHOWN~~ SPECIAL MARKING

REVISIONS

ZONE	LTR	DESCRIPTION	DATE	APPROVED
	0	RELEASED WAS 5112-236-1 CUST.	JW 12-30-70	D.H.
	a1	ADDED - 4 \pm SPECIAL MKG (-4 WAS 5112-280) ^{DR}	11-10-71	D.H.
	A	REVISED MAT'L 4657	DR 1-9-76	DR M.S.
	B	REV PER ADO702	5/13/85	CP / [Signature]
	C	REV PER AD2118	3/88	LEW
	D	REV PER AD 3180	1/89	W / [Signature]
	E	REV PER 0010-0337-95	10-17-95	P.B. /
	F	REV PER EC 0320-349-97	25 NOV 97	NS



HOT STAMP PART NO & DATE CODE, IN THIS AREA, PER 115-9009.



VOID CORING PERMISSIBLE AT AMP'S OPTION REF ONLY

UNLESS OTHERWISE SPECIFIED, DIMENSIONS ARE IN INCHES TOLERANCES ON: DECIMALS \pm .005 ANGLES \pm MATERIAL GLASS FILLED NYLON OR POLYESTER COLOR: BLACK	CONTRACT NO.	AMP INCORPORATED HARRISBURG, PENNSYLVANIA	
	DR <i>Runkle</i> 2-10-70	NAME	
	CHK <i>D.S. Heide</i> 1-5-71	HOUSING, AMP LEAF.	
	APPD <i>J Kaufman</i> 1-6-71	15 DUAL.	
	REL <i>[Signature]</i> 1-6-71	SIZE	CODE IDENT NO.
DSGN APPD	C	00779	583680
OTHER APPD	SCALE	4-1	SHEET 1 of 1

CUSTOMER DRAWING

Loc
E
7
22

NUMBER
583680

Mouser Electronics

Authorized Distributor

Click to View Pricing, Inventory, Delivery & Lifecycle Information:

[TE Connectivity:](#)

[583680-1](#)