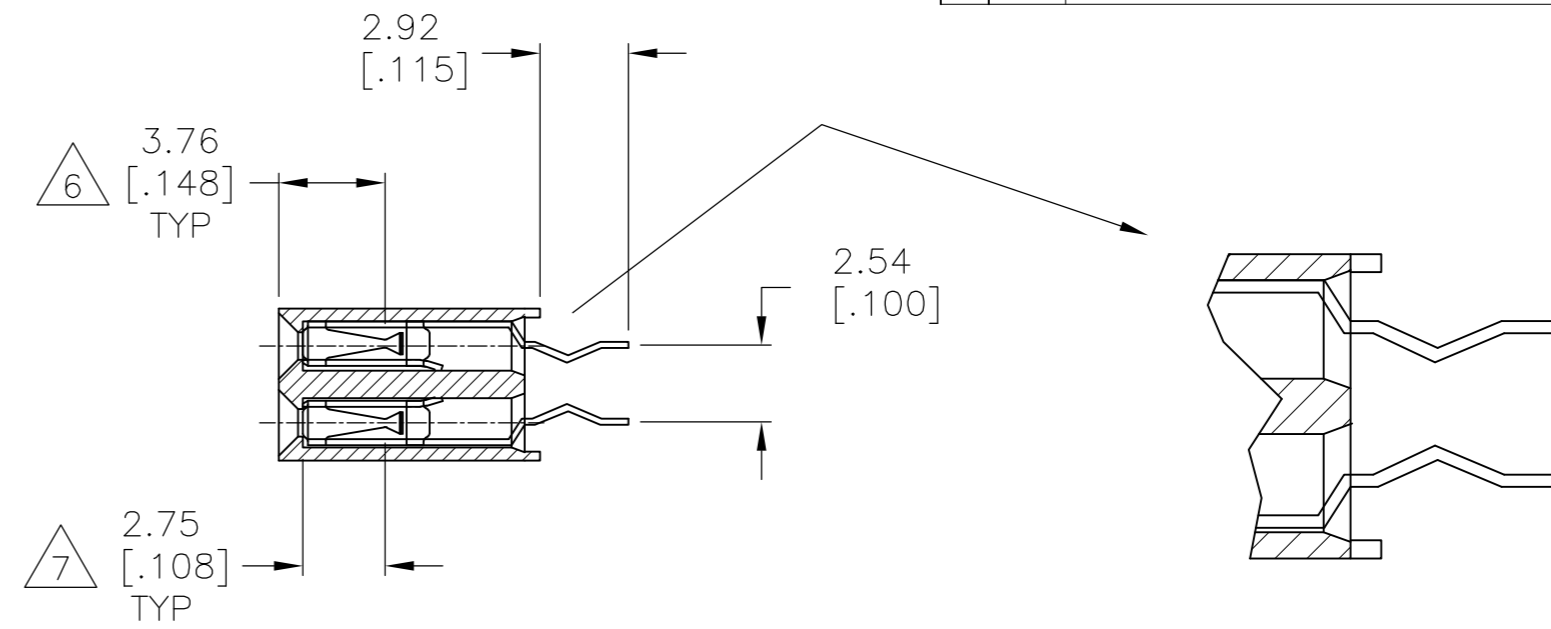
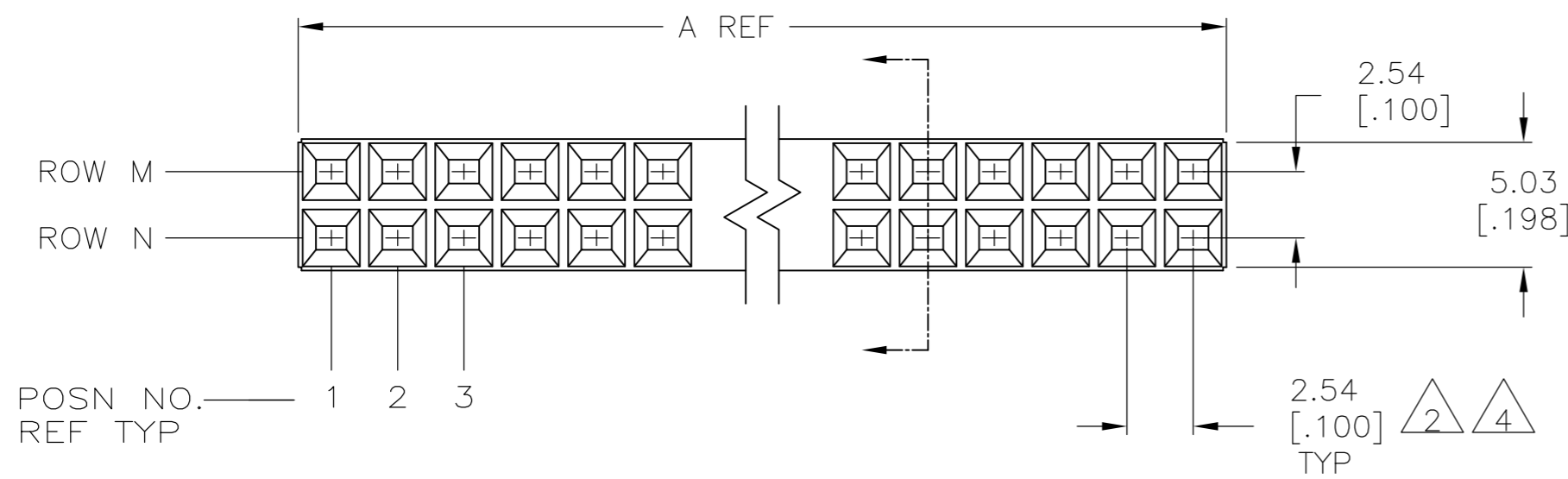
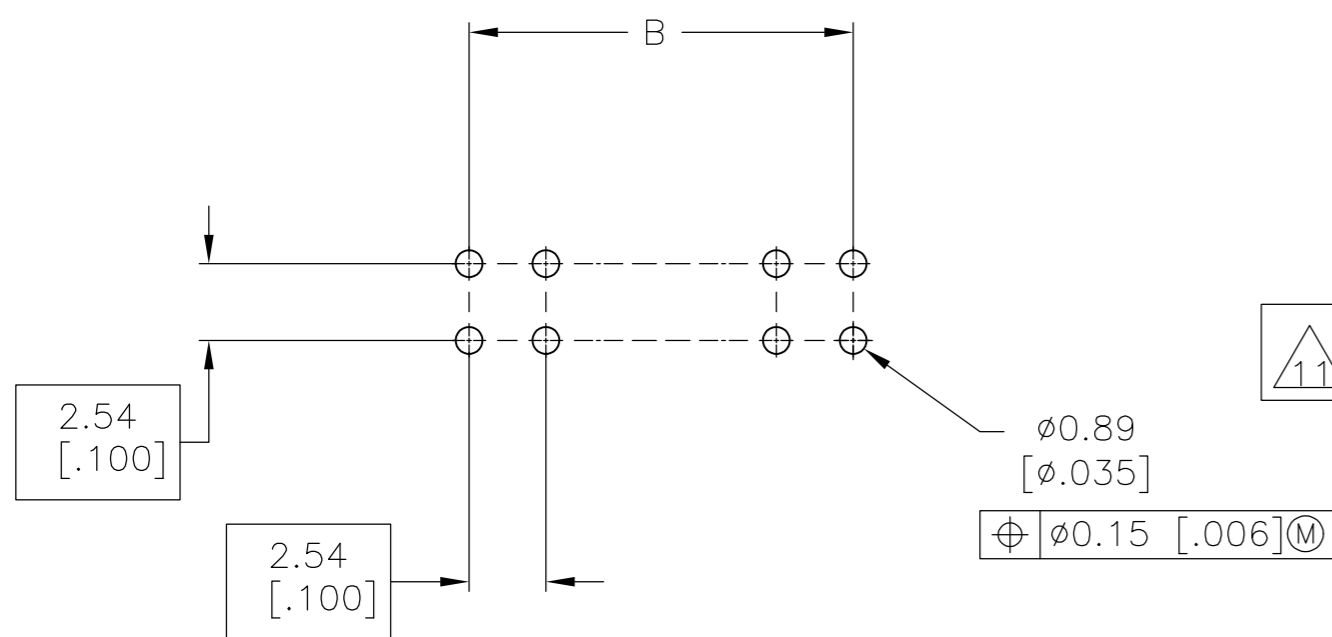
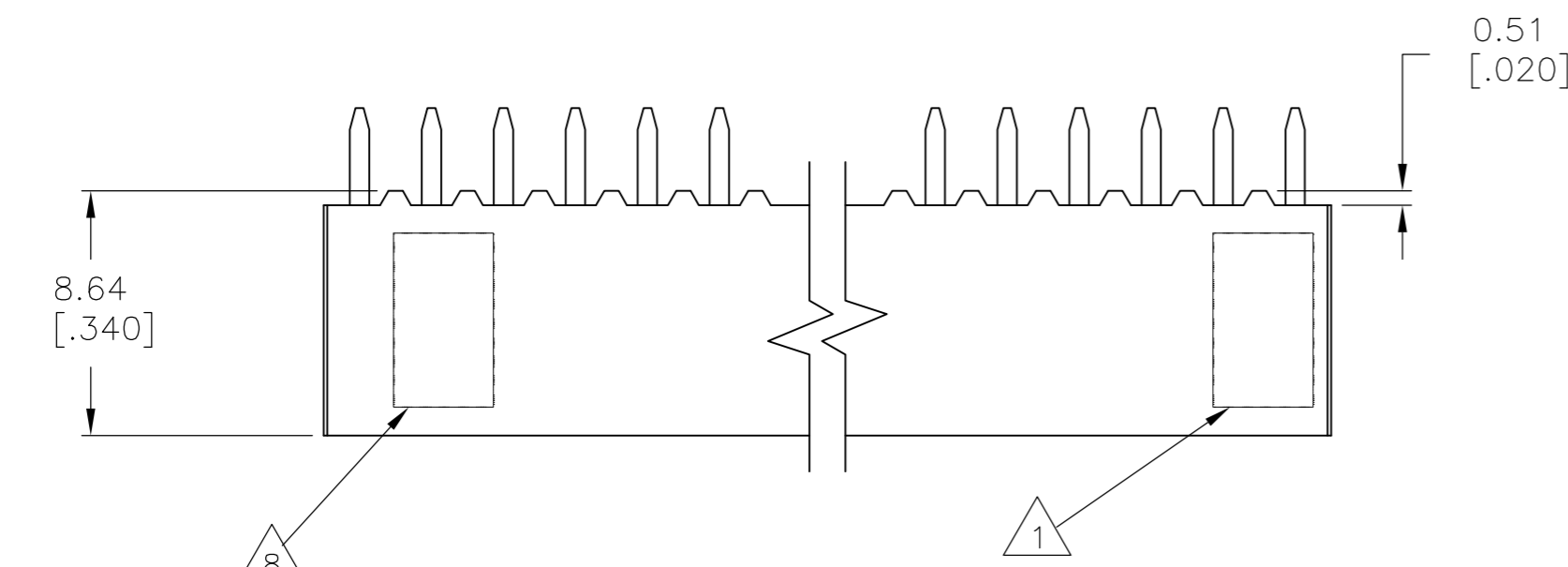


THIS DRAWING IS UNPUBLISHED. RELEASED FOR PUBLICATION  
 © COPYRIGHT BY TYCO ELECTRONICS CORPORATION. ALL RIGHTS RESERVED.

LOC	DIST	REVISIONS			
P	LTR	DESCRIPTION	DATE	DWN	APVD
AD	00				
	E	EC 0G3C 0845 04	03FEB05	BSV	JRO
	E1	REVISED PER ECO-09-021826	03SEP09	KK	AEG



BOARD RETENTION FEATURE



1. TYCO LOGO AND CSA LOGO ARE MOLDED INTO HOUSING.
2. TOLERANCE NON-CUMULATIVE
3. DUPLEX PLATED: 0.000762[.000030] GOLD IN CONTACT AREA, 0.00381-0.00762[.000150-.000300] BRIGHT TIN-LEAD ON TINES, ALL OVER 0.00127[.000050] MIN NICKEL
4. THESE DIMENSIONS PERTAIN TO CAVITY CENTERLINES ONLY, NOT TO CONTACT LOCATIONS.
5. HOUSING: GLASS FILLED, FLAME RETARDANT POLYESTER; COLOR-BLACK CONTACT: PHOSPHOR BRONZE
6. POINT OF CONTACT MEASUREMENT.
7. POINT OF MEASUREMENT FOR PLATING THICKNESS. (INCLUDES CONTACT BEAM)
8. PART NUMBER AND DATE CODE ARE MARKED IN APPROXIMATE LOCATION SHOWN.
9. DUPLEX PLATED: 0.000762[.000030] GOLD IN CONTACT AREA, 0.00381-0.00762[.000150-.000300] MATTE TIN, ALL OVER 1.27 [.000050] MIN NICKEL
10. ROHS 2002 /95/EC COMPLIANT.
11. OBSOLETE PARTS: OBSOLETE CIS STREAMLINING PER D.RENAUD/D.SINISI

FINISH	11 OBSOLETE	9	1,2,13,14	1,2,13,14	NONE	3	35.56 [1.400]	33.02 [1.300]	28	10	5-146148-1
		3	1,2,13,14	1,2,13,14	NONE	3	35.56 [1.400]	33.02 [1.300]	28		146148-1
			ROW M	ROW N	ROW M	ROW N	A	B	NO OF POSN		PART NUMBER
			KINK POSN NO		POSITION OMITTED						

RECOMMENDED HOLE LAYOUT

THIS DRAWING IS A CONTROLLED DOCUMENT.

DIMENSIONS: mm [INCHES]	TOLERANCES UNLESS OTHERWISE SPECIFIED:	DWN J KNAUB 8-6-94	Tyco Electronics Corporation Harrisburg, Pa 17105-3608
	0 PLC ± -	CHK A GABANY 8-8-94	
	1 PLC ± -	APVD A GABANY 8-8-94	
	2 PLC ± -	PRODUCT SPEC	
	3 PLC ± -	APPLICATION SPEC	NAME RECPT. ASSY., MOD II, .100 X .100
	4 PLC ± -		, S.P.O.C.,
	ANGLES ± -		SIZE A2 CAGE CODE 00779 DRAWING NO C-146148
MATERIAL 5	FINISH 9	WEIGHT -	RESTRICTED TO -
CUSTOMER DRAWING		SCALE 4:1	SHEET 1 OF 1 REV E1

# Mouser Electronics

Authorized Distributor

Click to View Pricing, Inventory, Delivery & Lifecycle Information:

[TE Connectivity:](#)

[146148-1](#)