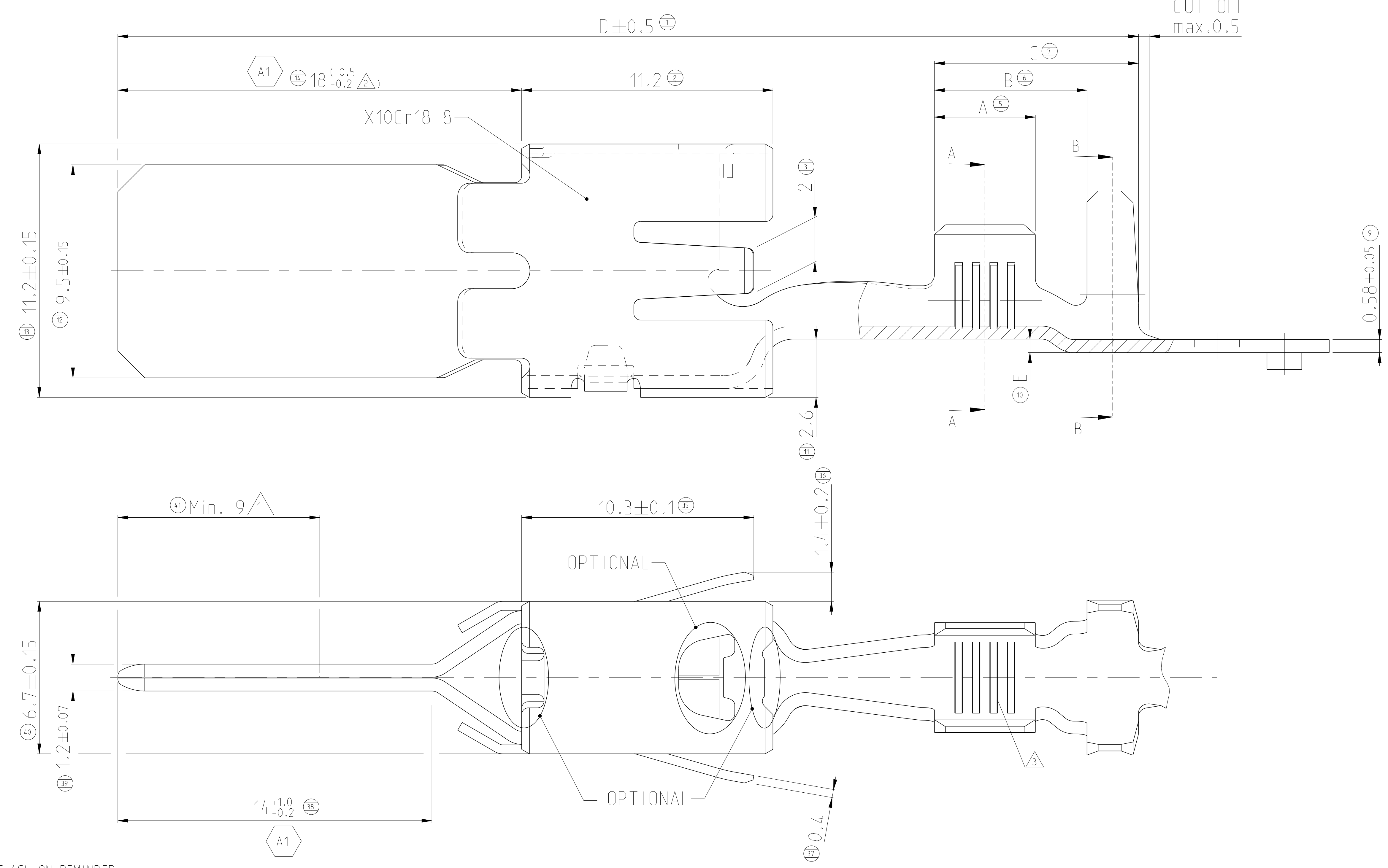
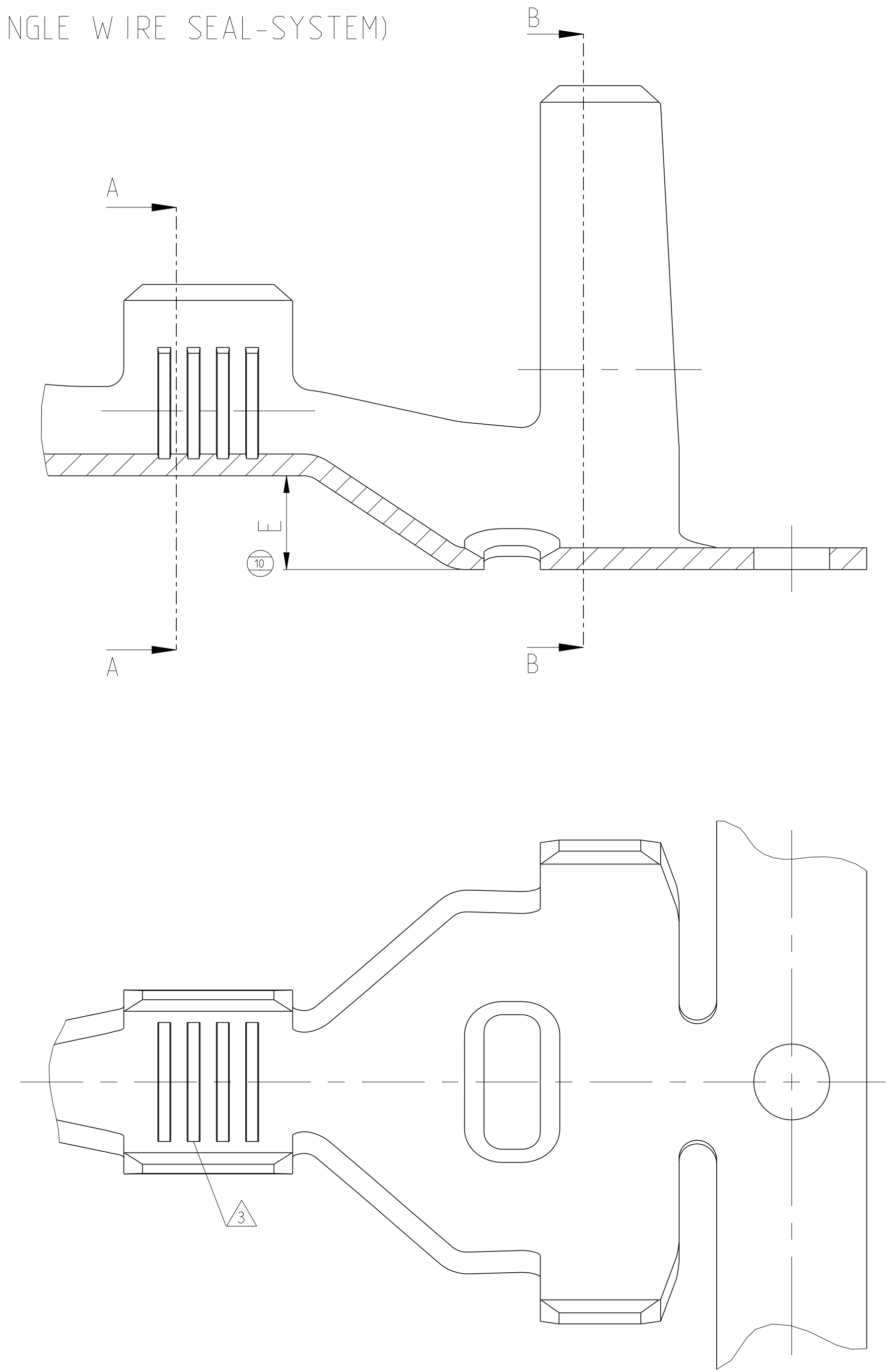


PROJECT No.		REVISIONS			
NO.	DATE	DESCRIPTION	DATE	BY	APPD.
A		New drawing	04.08.2016	JB, JH	MP
A1		ECR-16-015100	25.02.2016	GH	MP

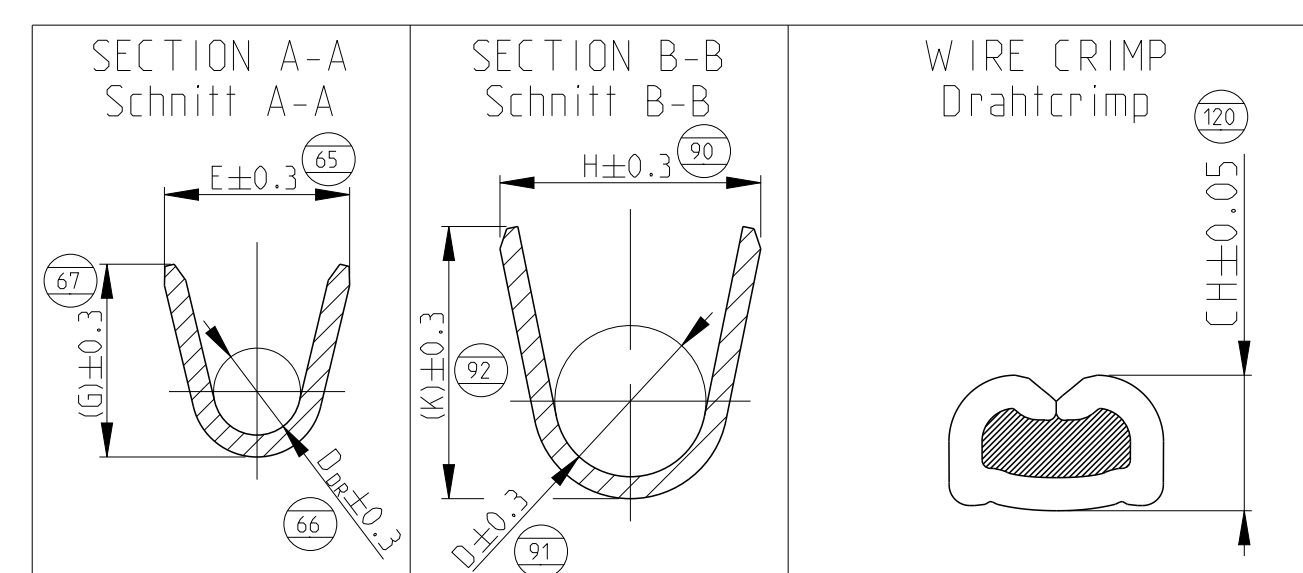
VERSION A
(UNSEALED)



VERSION B
(SINGLE WIRE SEAL-SYSTEM)

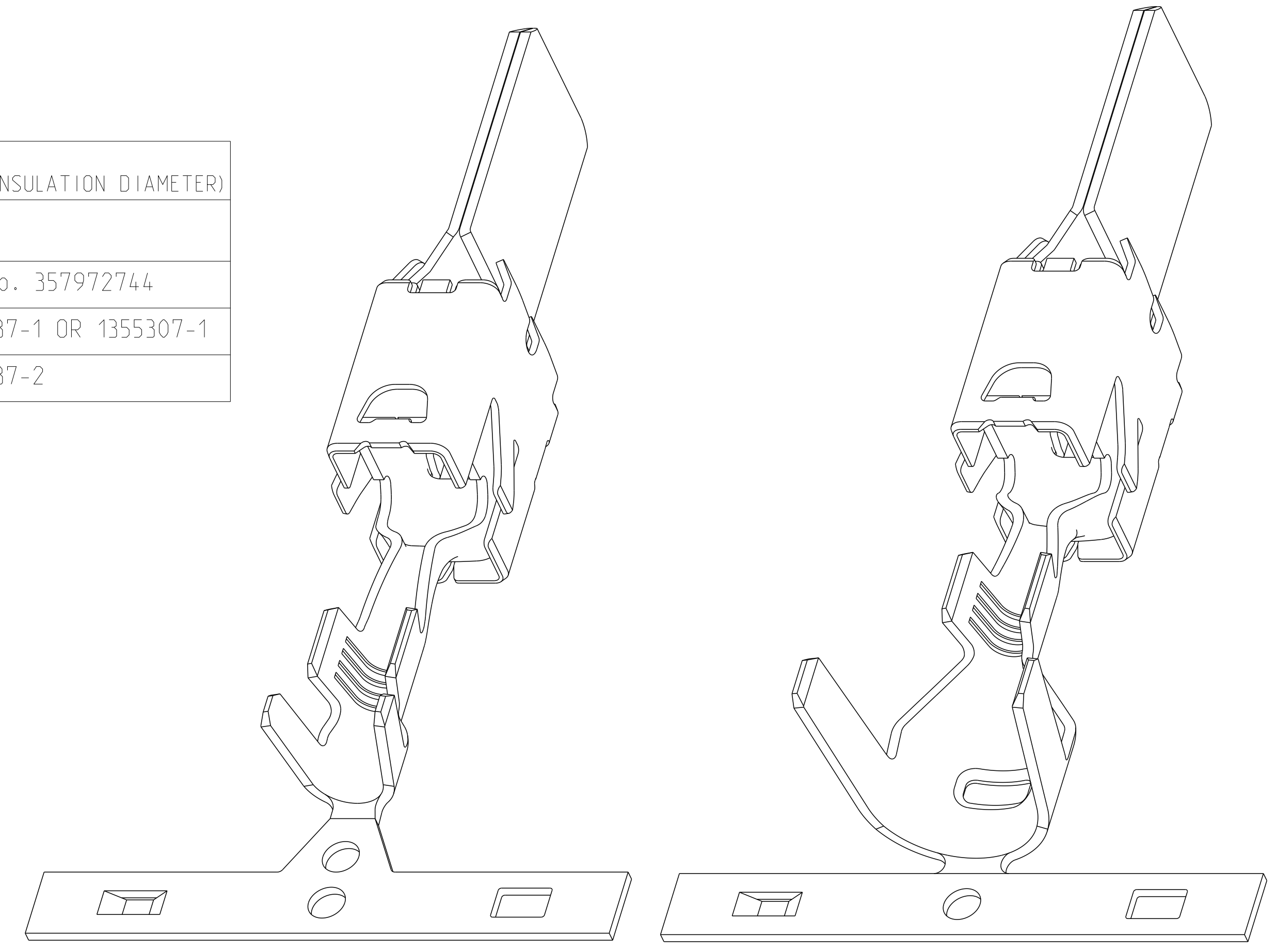


1 MIN. 3µm Ag IN LOCALIZED FUNCTIONAL AREA, Ag FLASH ON REMINDER.
 A1 2 For 963772-x and 963774-x only



VERSION	TE PN STRIP FORM Bandware	REV.	MATERIAL Werkstoff	SURFACE Oberflaeche	DGB WIRE RANGE [mm ²]	INSULATION DIAMETER (mm)	STRIP FORM Bandware		WIRE CRIMP HEIGHT CH Drahtcrimp-Hoehe CH	APPLICATION TOOL Anschlag = WKZ	HAND TOOL Hndzange	EXTRACTION TOOL / Ausdrueckwerkzeug No.: 1-1579007-7	A	B	C	D	E ± 0.05	G ± 0.05	Number of serrations	
							WIRE CRIMP Drahtcrimp	INSUL.-CRIMP Isol.-Crimp												
VERSION B SINGLE WIRE SEAL / Einzeldichtungssystem	963774-1	C	CuSn4	PRE -TINNED	6 - 10mm ²	Ø4.6-6.6	E = 7.0 G = 7.3 D _{DR} = 3.8	H = 12.9 K = 12.9	6mm ² = 2.98 10mm ² = 3.60	MQC APPLICATOR 2-878735-2 (ALTERNATIVE APPLICATOR 1852862)	-	6.3	11.9	15.6	4.9	2.5	5			
	963774-2	C	CuFe2P	PRE -TINNED		A1		D = 9.5												
	963772-1	C	CuSn4	PRE -TINNED	4 - 6mm ²	Ø4.0-5.2	E = 5.6 G = 5.9 D _{DR} = 2.9	H = 12.9 K = 12.9 D = 9.5	4mm ² = 2.55 6mm ² = 2.90	MQC APPLICATOR 2-878734-2	-	5.5	11.1	14.8	4.9	2.5	4			
	963772-2	C	CuFe2P	PRE -TINNED																
	963772-3	C	CuSn4	SILVER PLATED																
	963770-1	C	CuSn4	PRE -TINNED	2.5 - 4mm ²	Ø3.3-4.5	E = 4.9 G = 5.1 D _{DR} = 2.3	H = 12.9 K = 12.9 D = 9.5	2.5mm ² = 2.41 4mm ² = 2.74	MQC APPLICATOR 2-878980-2	-	4.5	11.1	14.8	4.9	2.5	4			
VERSION A UNSEALED / ungedichtet	963768-1	C	CuSn4	PRE -TINNED	6 - 10mm ²	Ø4.6 - 6.6 FLK	E = 7.0 G = 7.3 D _{DR} = 3.8	H = 9.2 K = 9.6 D = 5.9	6mm ² = 2.98 6.5mm ² = 3.06 8.5mm ² = 3.37 10mm ² = 3.60	MQC APPLICATOR 2-878732-2 (ALTERNATIVE APPLICATOR 1855441)	734533-1 (Only for 10 mm ²)	6.3	9	11.8	45.5	0.8	5			
	963768-2	C	CuFe2P	PRE -TINNED																
	963768-3	C	CuSn0.15	PRE -TINNED																
	963766-2	C	CuFe2P	PRE -TINNED	4 - 6mm ²	Ø4 - 5.2 FLK	E = 5.6 G = 5.9 D _{DR} = 2.9	H = 7.7 K = 8.0 D = 4.6	4mm ² = 2.55 5mm ² = 2.72 5.5mm ² = 2.81 6mm ² = 2.90	MQC APPLICATOR 2-878731-2	734532-1 (Only for 6 mm ²)	5.5	7.8	10.1	45.5	0.6	4			
	963764-2	D	CuFe2P	PRE -TINNED	2.5 - 4mm ²	Ø3.3 - 4.5 FLK	E = 4.9 G = 5.1 D _{DR} = 2.3	H = 6.9 K = 7.2 D = 4	2.5mm ² = 2.41 3mm ² = 2.52 4mm ² = 2.74	MQC APPLICATOR 2-878979-2	734531-1	4.5	6.8	9.1	45.5	0.6	4			
	963764-1	D	CuSn4	PRE -TINNED		A1														

SINGLE WIRE SEAL (SEAL SELECTION ACCORDING TO INSULATION DIAMETER)	
INSULATION DIAMETER (mm)	SEAL
4.0-4.5	VW No. 357972744
4.6-5.2	1355437-1 OR 1355307-1
5.8-6.6	1355437-2



THIS DRAWING IS A CONTROLLED DOCUMENT.		DATE: 04.08.2016	BY: Jagadeesh.J.	APPD.: PaulLeak.Martin
DIMENSIONS: (mm)	TOLERANCES UNLESS OTHERWISE SPECIFIED:	SCALE: 1:1	PROJECT SPEC: 106-18047	NAME: Product group drawing TAB 9.5x1.2mm
MATERIAL:	FINISH:	WEIGHT:	APPLICATOR SPEC: 114-18076	SIZE: A0
			CUSTOMER: Customer Drawing	SCALE: 10:1 SHEET 1 OF 1 REV: A1

Mouser Electronics

Authorized Distributor

Click to View Pricing, Inventory, Delivery & Lifecycle Information:

[TE Connectivity:](#)

[963768-1](#)