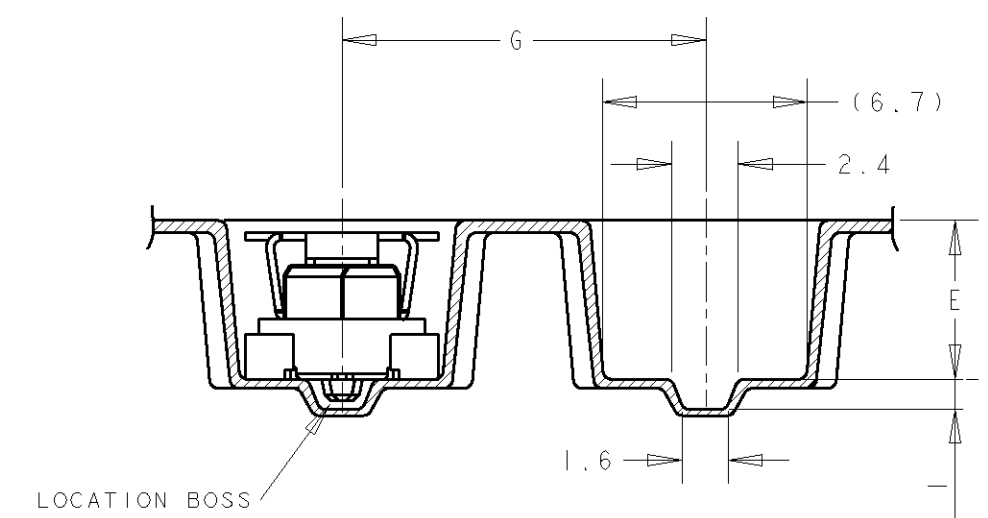
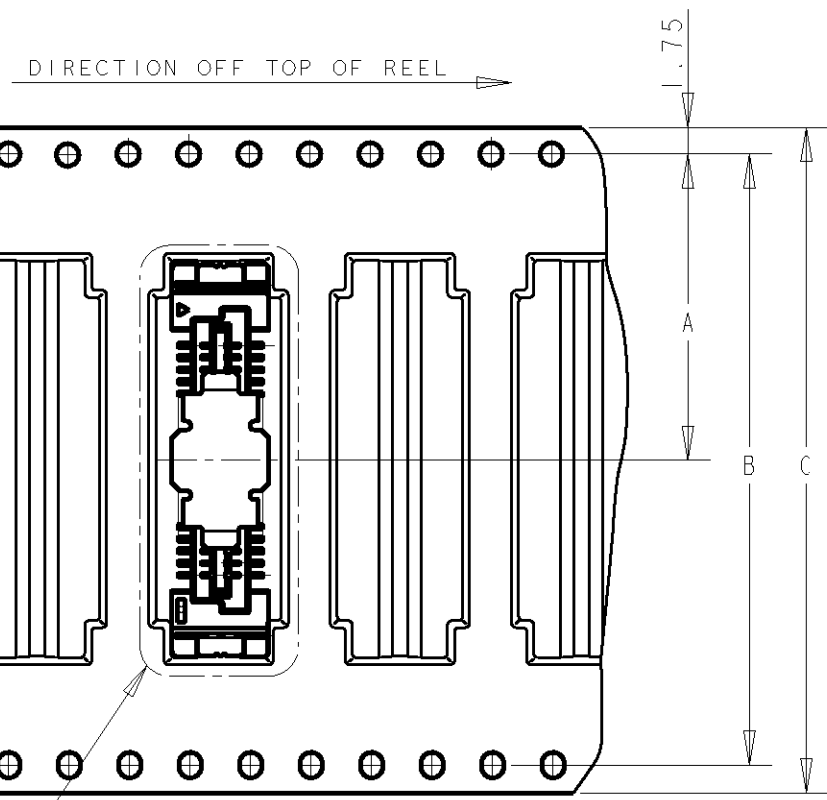


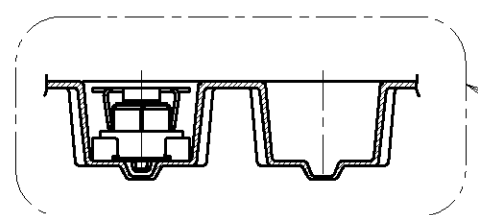
THIS DRAWING IS UNPUBLISHED. RELEASED FOR PUBLICATION .19  
 © COPYRIGHT 19 BY AMP INCORPORATED. ALL RIGHTS RESERVED.

LOC	DIST	REVISIONS			
P	LTR	DESCRIPTION	DATE	DWN	APVD
DY	-	0 NPR FP00-0274-04	INOV04	LWY	VT

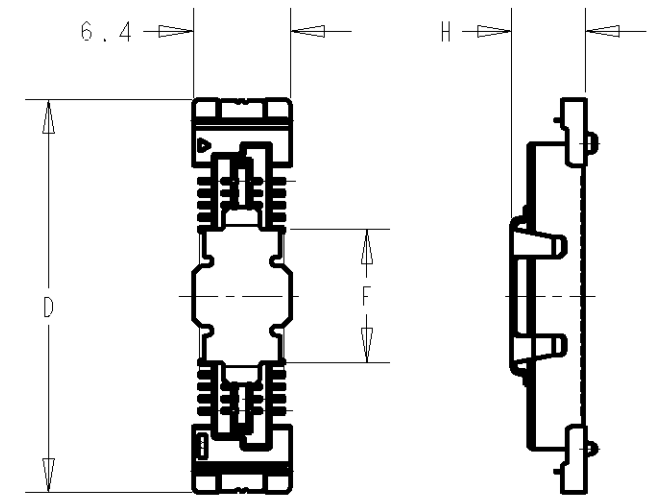


DETAIL A  
(SCALE 4-1)

DETAIL B

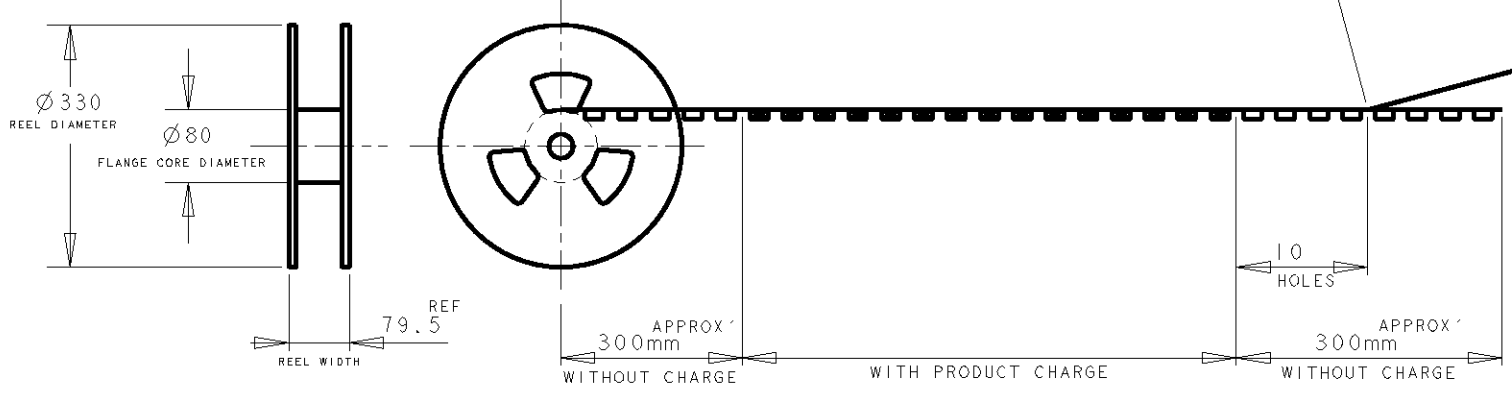


DETAIL A



DETAIL B

WEEDING THE COVER TAPE AROUND THE OUTER PERIPHERY IN A TURN.



700	4	16	17	4.4	58	72	68.4	34.2	120	-5	-5
	4.85	12	8.8	5.25	42	56	52.4	26.2	80	-4	-4
	4.85	12	8.8	5.25	26	44	40.4	20.2	60	-3	-3
	4.85	12	8.8	5.25	26	44	40.4	20.2	40	-2	-2
900	4.85	12	8.8	5.25	26	44	40.4	20.2	40	5177934-1	5179160-1
QYT	H	G	F	E	D	C	B	A	POS	CONN P/N	PART NO.

NOTE;  
 △ THIS ITEM IS PRELIMINARY.  
 2. THIS PRODUCT WAS COATED BY FLUX-PENETRATION -INHIBITING AGENT.

THIS DRAWING IS A CONTROLLED DOCUMENT FOR AMP INCORPORATED. IT IS SUBJECT TO CHANGE AND THE CONTROLLING ENGINEERING ORGANIZATION SHOULD BE CONTACTED FOR THE LATEST REVISION.		DWN WYLEE 01NOV2004	<b>tyco</b> Electronics Tyco Electronics Singapore Pte. Ltd.	
DIMENSIONS: mm	TOLERANCES UNLESS OTHERWISE SPECIFIED: 0 PLC ± 1 PLC ±0.20 2 PLC ±0.25 3 PLC ±0.30 4 PLC ± ANGLES ±3°	CHK VINCENT TAN	NAME REC ASS'Y WITH SOLDER PEG, FH 0.8mm B-T-B CONN. (STACK HEIGHT 5-8mm, 0.7 BOSS LENGTH) ON TAPING	
MATERIAL	FINISH	APVD ERIC TNG	DRAWING NO C-5179160	
		PRODUCT SPEC	SIZE A3	CAGE CODE 00779
		APPLICATION SPEC	SCALE	SHEET
		WEIGHT	OF 1 REV 0	
CUSTOMER DRAWING				

# Mouser Electronics

Authorized Distributor

Click to View Pricing, Inventory, Delivery & Lifecycle Information:

[TE Connectivity:](#)

[5179160-1](#)