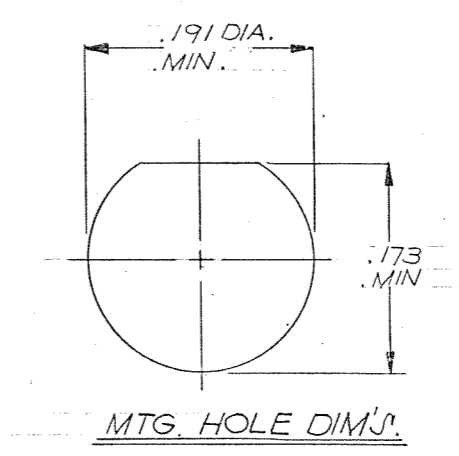
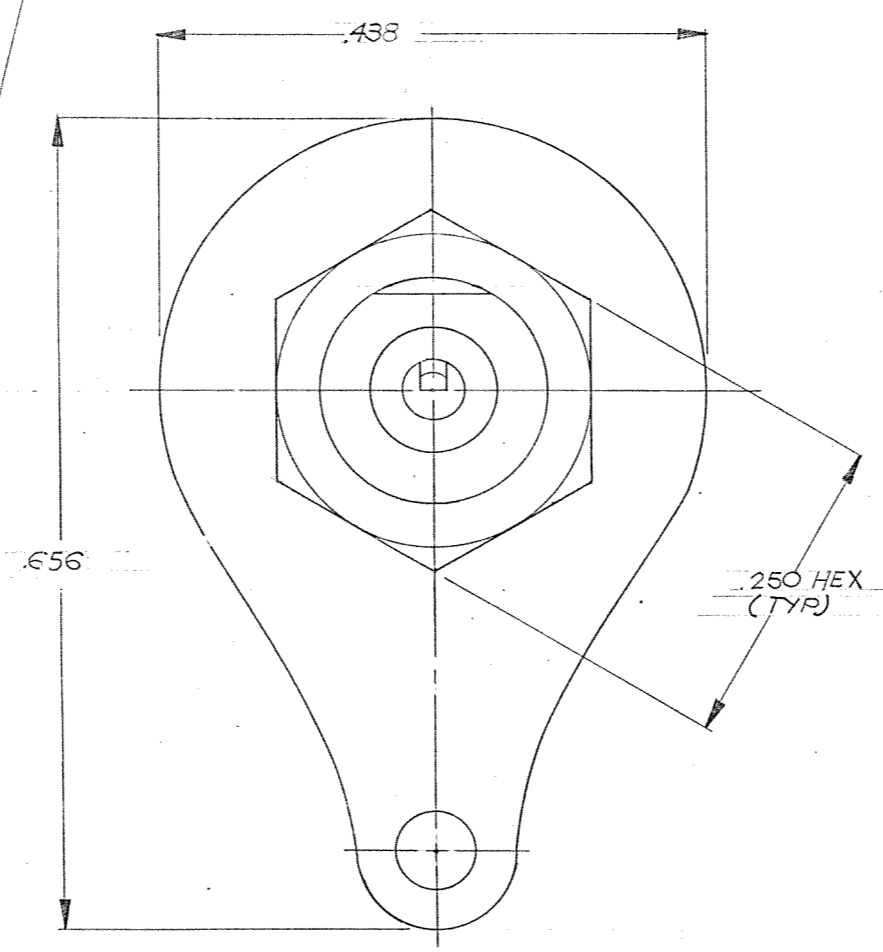
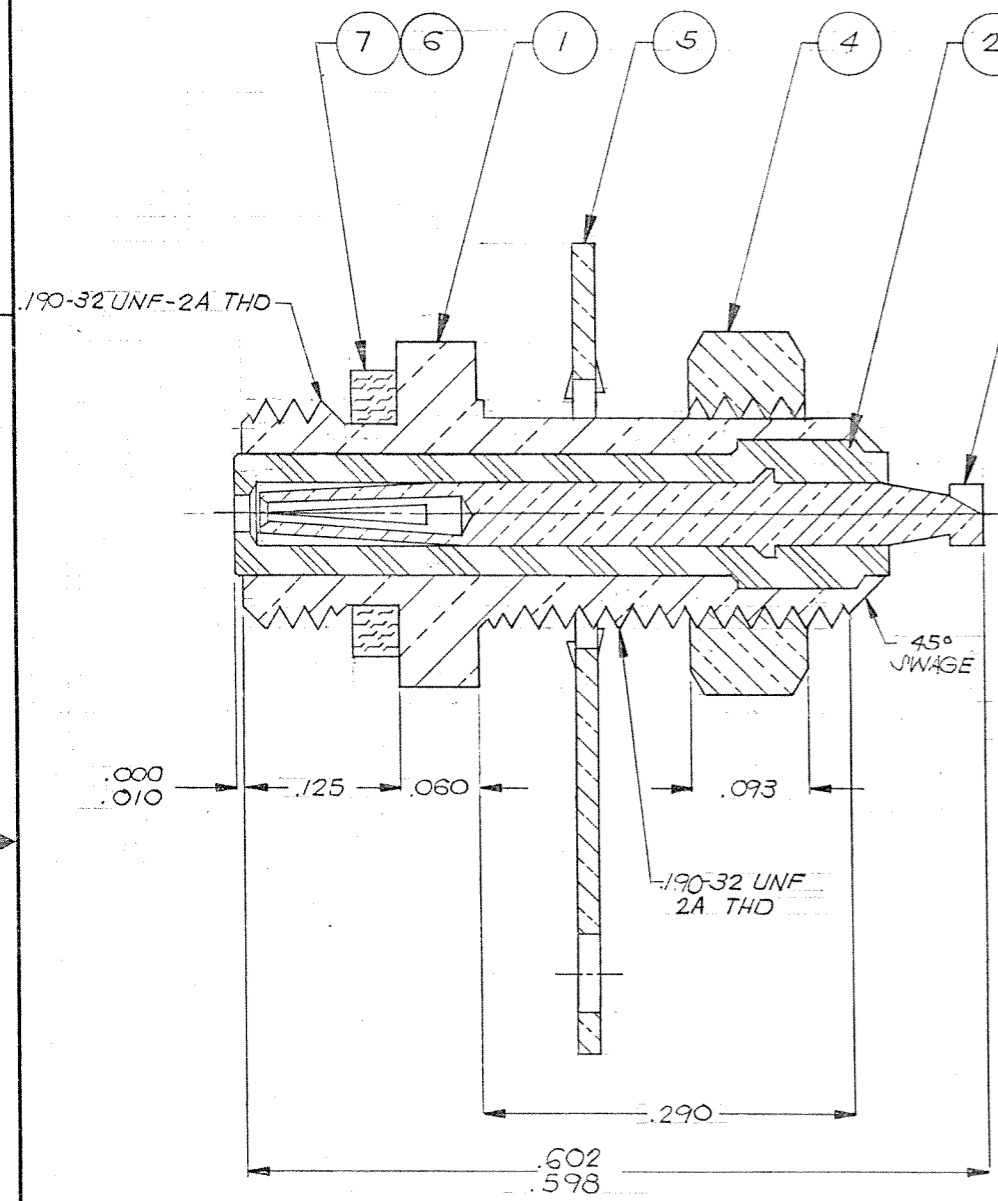


REVISIONS					
ZONE	LTR	ECN	DESCRIPTION	DATE	APPROVED
	P	28902	REVISED & REDRAWN ORIG. RELEASE BY B.T. 6-23-55	8/13/84	hy
	R	39342	UPDATE REV. LETTER	9/12/84	hy

**R1 LOAD CORRECT DRAWING**



**TYCO CUSTOMER DWG 1466288**

NOTES: UNLESS OTHERWISE SPECIFIED:

- 1. THIS CONN. MATES WITH ALL PLUGS IN SERIES J-50 AS LISTED IN MICRODOT CATALOG.
- 2. SILVER PLATE .0002" MIN. PER QQ-S-365 TYPE II, GRADE A.
- 3. GOLD PLATE PER MIL-G-45204 TYPE II, GRADE C, CLASS I.
- 4. WORKING VOLTAGE - 750 V.R.M.S.
- 5. INSULATION RESISTANCE -  $5 \times 10^9$  OHMS MIN.
- 6. PANEL THICKNESS: .160 MAX.

QTY	DESCRIPTION	PART NO.	MATERIAL	SPECIFICATIONS	ITEM NO.
1	GASKET	003-0268-0001	SILICONE RUBBER PER ZZ-R-765, RED		7
1	GASKET	003-0268-0000	SILICONE RUBBER PER ZZ-R-765, BLK		6
1	SHAKEPROOF LUG	003-0306-0001	#425 BRONZE ALLOY		5
1	HEX NUT	003-0009-0001	BRASS PER QQ-B-626		4
1	SOCKET CONTACT	003-1315-0002	BERYLLIUM COPPER QQ-C-530		3
1	INSULATOR	003-1316-0001	TELFON PER L-P-403		2
1	HOUSING	003-1317-0001	BRASS PER QQ-B-626		1
2	PART NUMBERS	DESCRIPTIONS	MAT'L & SPECIFICATIONS		ITEM NOS.

UNLESS OTHERWISE SPECIFIED DIMENSIONS ARE IN INCHES TOLERANCES ARE: FRACTIONS .XX ± .010 DECIMALS .XX ± .010 ANGLES ± 2°		CONTRACT NO.		<b>MALCO</b> A MICRODOT COMPANY, INC. 220 PASADENA AVE., SO. PASADENA, CALIF. 91030	
MATERIAL		APPROVALS	DATE	PROD. CODE	
NOTED		C. TIONGCO	7-27-84	731	
FINISH		CHECKED		CODE	
NOTED		PR. ENG. hy	8/9/84	COM	
NEXT ASSY		APPD.		SIZE	CODE IDENT NO.
USED ON		APPLICATION		C	98278
APPLICATION		DO NOT SCALE DRAWING		DRAWING NO.	031-0050-000*
				SCALE	SHEET / OF /

# Mouser Electronics

Authorized Distributor

Click to View Pricing, Inventory, Delivery & Lifecycle Information:

[TE Connectivity:](#)

[031-0050-0001](#)