

MALE PCB PINS

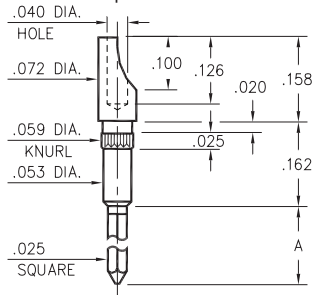
WRAPOST TERMINALS

8301

8301-X-24-XX-00-00-01-0

Press-fit in .057 mounting hole

For wire sizes up to 22 AWG

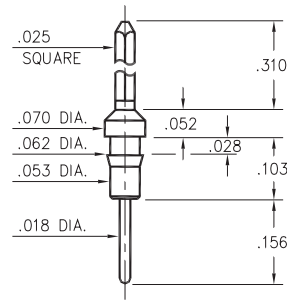


| Basic Part Number | # of Wraps | Length A |
|-------------------|------------|----------|
| 8301-2 | 2 | .370 |
| 8301-3 | 3 | .510 |

1083

1083-0-05-XX-00-00-01-0

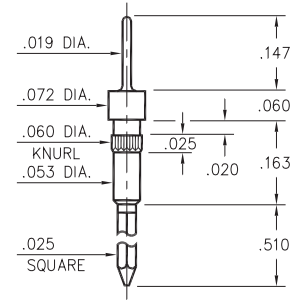
Press-fit in .059 mounting hole



5301

5301-0-05-XX-00-00-01-0

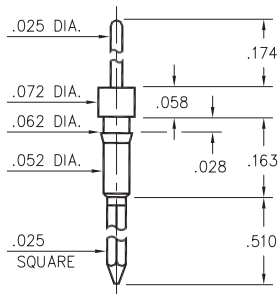
Press-fit in .057 mounting hole



1090

1090-0-05-XX-00-00-01-0

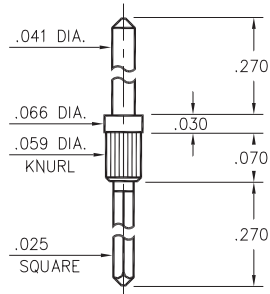
Press-fit in .059 mounting hole



8608

8608-0-05-XX-00-00-01-0

Press-fit in .056 mounting hole



SPECIFICATIONS:

Pin Material: Brass Alloy 360, 1/2 Hard
(Except where noted)

Dimensions: Inches

Tolerances On: Lengths: ±.005
Diameters: ±.002
Angles: ± 2°



ORDER CODE: XXXX - X - XX - XX - 00 - 00 - 01 - 0

BASIC PART #

SPECIFY PIN FINISH:

- 01 200 μ" TIN/LEAD OVER NICKEL
- ◆ 80 200 μ" TIN OVER NICKEL (RoHS)
- ◆ 15 10 μ" GOLD OVER NICKEL (RoHS)
- ◆ 21 20 μ" GOLD OVER NICKEL (RoHS)



Mouser Electronics

Authorized Distributor

Click to View Pricing, Inventory, Delivery & Lifecycle Information:

Mill-Max:

[8301-2-24-01-00-00-01-0](#) [5301-0-05-01-00-00-01-0](#) [1090-0-05-01-00-00-01-0](#) [1083-0-05-01-00-00-01-0](#) [8301-2-24-80-00-00-01-0](#) [1083-0-05-15-00-00-01-0](#) [1083-0-05-21-00-00-01-0](#) [1090-0-05-15-00-00-01-0](#) [1090-0-05-21-00-00-01-0](#) [8301-2-24-15-00-00-01-0](#) [8301-2-24-21-00-00-01-0](#) [8301-3-24-21-00-00-01-0](#) [8608-0-05-15-00-00-01-0](#) [1083-0-05-00-00-00-01-0](#) [8301-2-24-00-00-00-01-0](#) [5301-0-05-00-00-00-01-0](#) [8608-0-05-00-00-00-01-0](#) [1090-0-05-00-00-00-01-0](#)