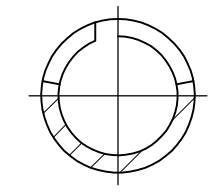
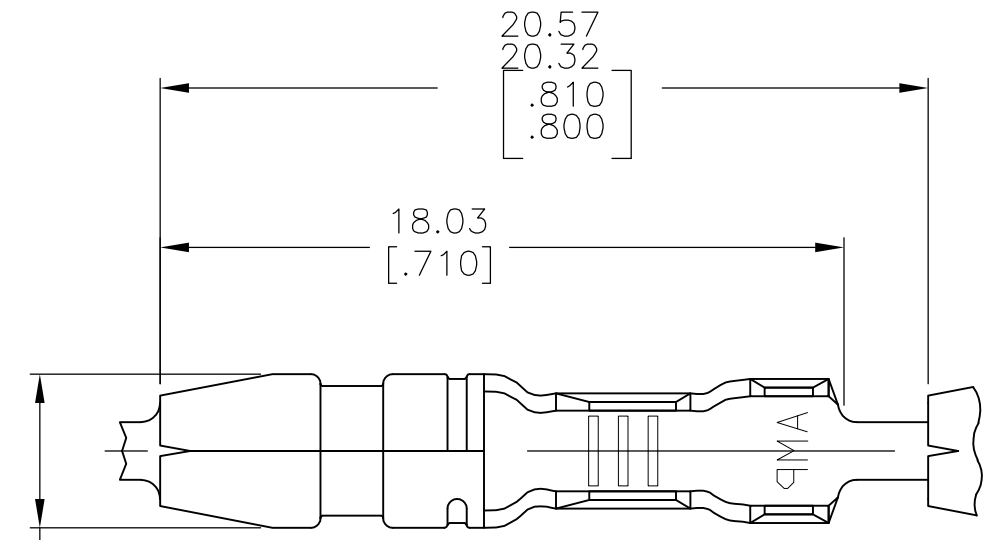


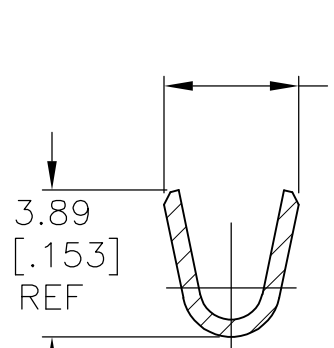
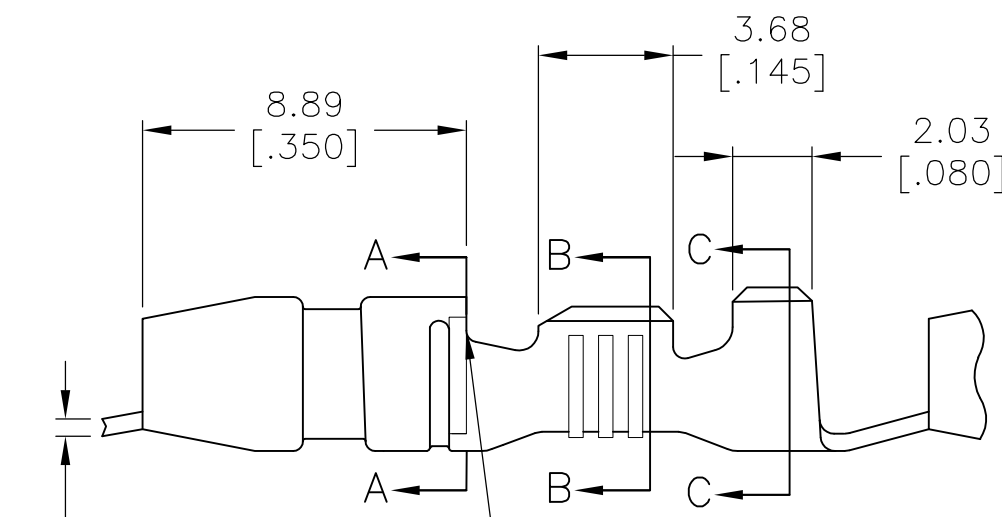
THIS DRAWING IS UNPUBLISHED. RELEASED FOR PUBLICATION  
 © COPYRIGHT - BY TYCO ELECTRONICS CORPORATION. ALL RIGHTS RESERVED.

LOC	DIST	REVISIONS			
P	LTR	DESCRIPTION	DATE	DWN	APVD
AF	50	J1	ECR-07-026634 (REDRAWN IN AUTOCAD)	05NOV07	HMR DD
		J2	REVISED PER ECO-09-021826	21AUG09	KK AEG

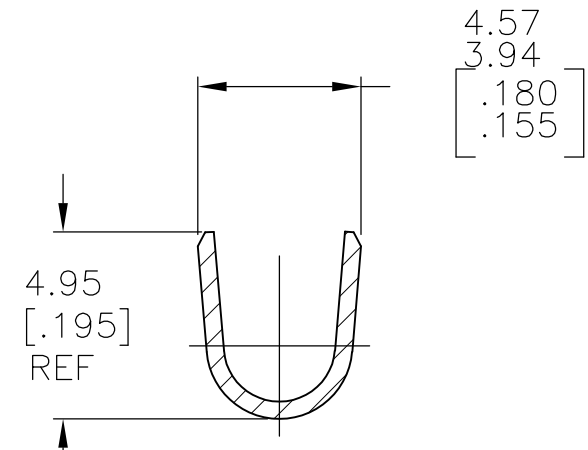


SECTION A-A

- 1 CONTINUOUS STRIP ON REELS.
- △2 0.00508[.000200] MIN SILVER OVER 0.00254[.000100] MIN COPPER UNDERPLATE OR 0.00127[.000050] MIN NICKEL UNDERPLATE.
- 3 WIRE RANGE: 18-14 AWG
- 4 INSULATION RANGE: 2.16-3.18 [.085-.125] DIA.
- △5 OBSOLETE PARTS: OBSOLETE CIS STREAMLINING PER D.RENAUD/D.SINISI



SECTION B-B



SECTION C-C

CLOSED FOR MOLDING PURPOSE

△5 OBSOLETE	△2	082 BRASS	-60766-4-
		PRE-TIN	60766-2
		NONE	60766-1
		FINISH	MATERIAL
			PART NO

THIS DRAWING IS A CONTROLLED DOCUMENT.		DWN RAGHAVENDRA 05NOV2007	Tyco Electronics Corporation Harrisburg, PA 17105-3608	
DIMENSIONS: mm [INCHES]	TOLERANCES UNLESS OTHERWISE SPECIFIED:	CHK D DECKER 05NOV2007	NAME	
	0 PLC ± -	APVD D DECKER 05NOV2007	SHUR PLUG 3.96[.156] DIA	
	1 PLC ± -	PRODUCT SPEC	SIZE CAGE CODE DRAWING NO RESTRICTED TO	
	2 PLC ± 0.38 [.015]	APPLICATION SPEC	A3 00779 C-60766	
	3 PLC ± -	WEIGHT -	SCALE 5:1 SHEET 1 OF 1 REV J2	
	4 PLC ± -	CUSTOMER DRAWING		
	ANGLES ± 1°			
MATERIAL SEE TABLE	FINISH SEE TABLE			

# Mouser Electronics

Authorized Distributor

Click to View Pricing, Inventory, Delivery & Lifecycle Information:

[TE Connectivity:](#)

[60766-2](#)