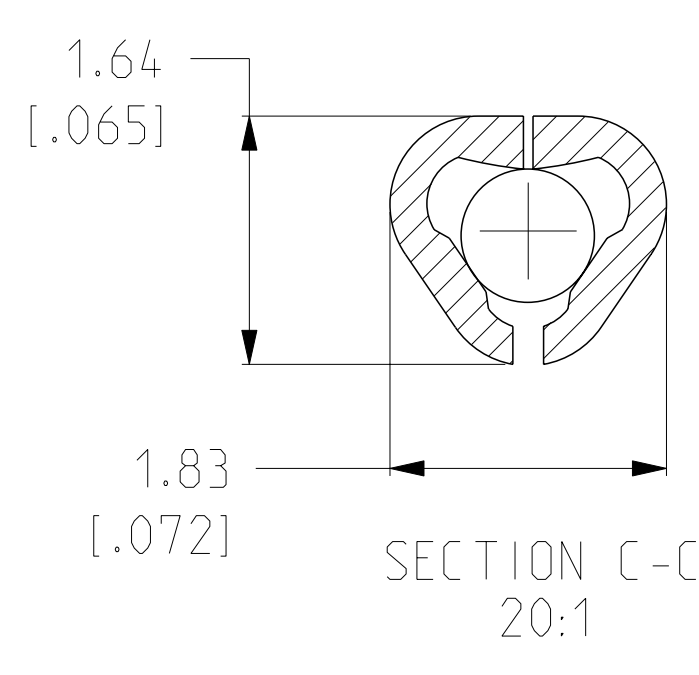
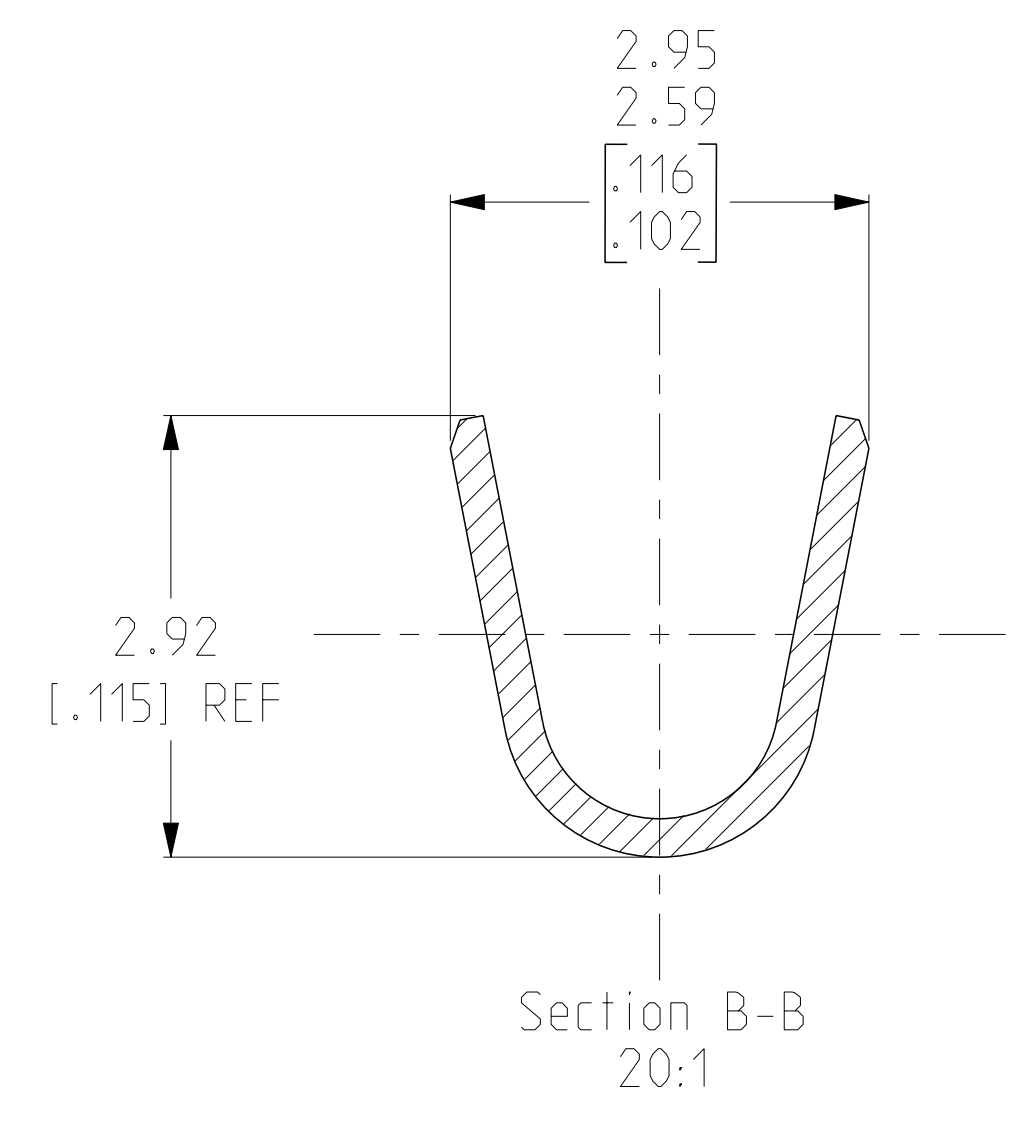
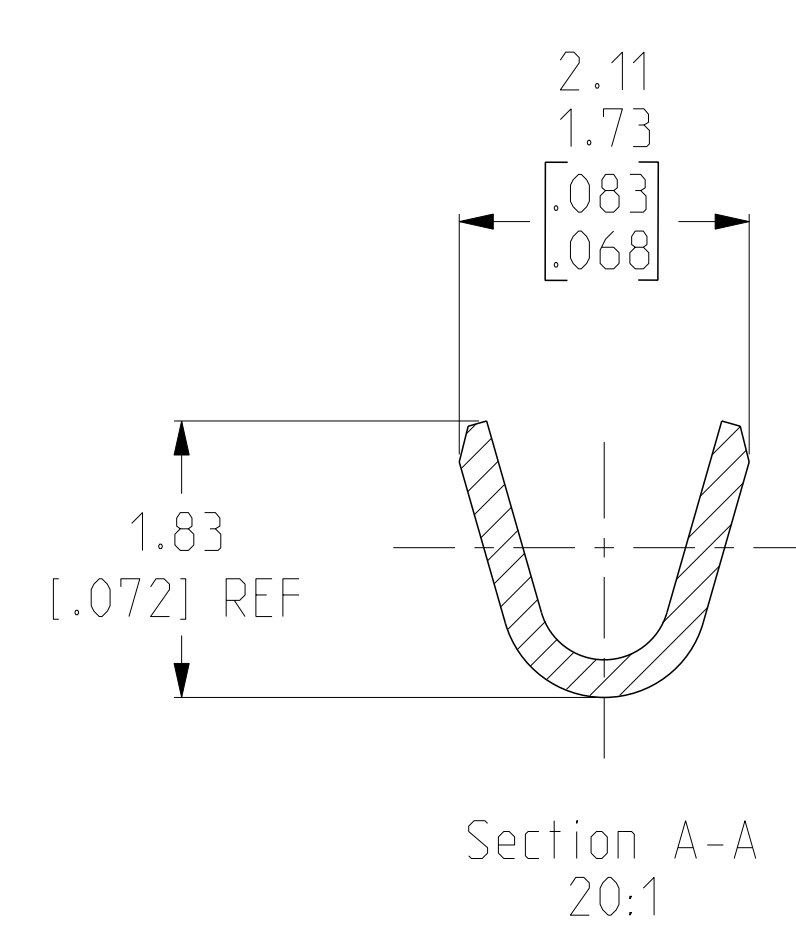
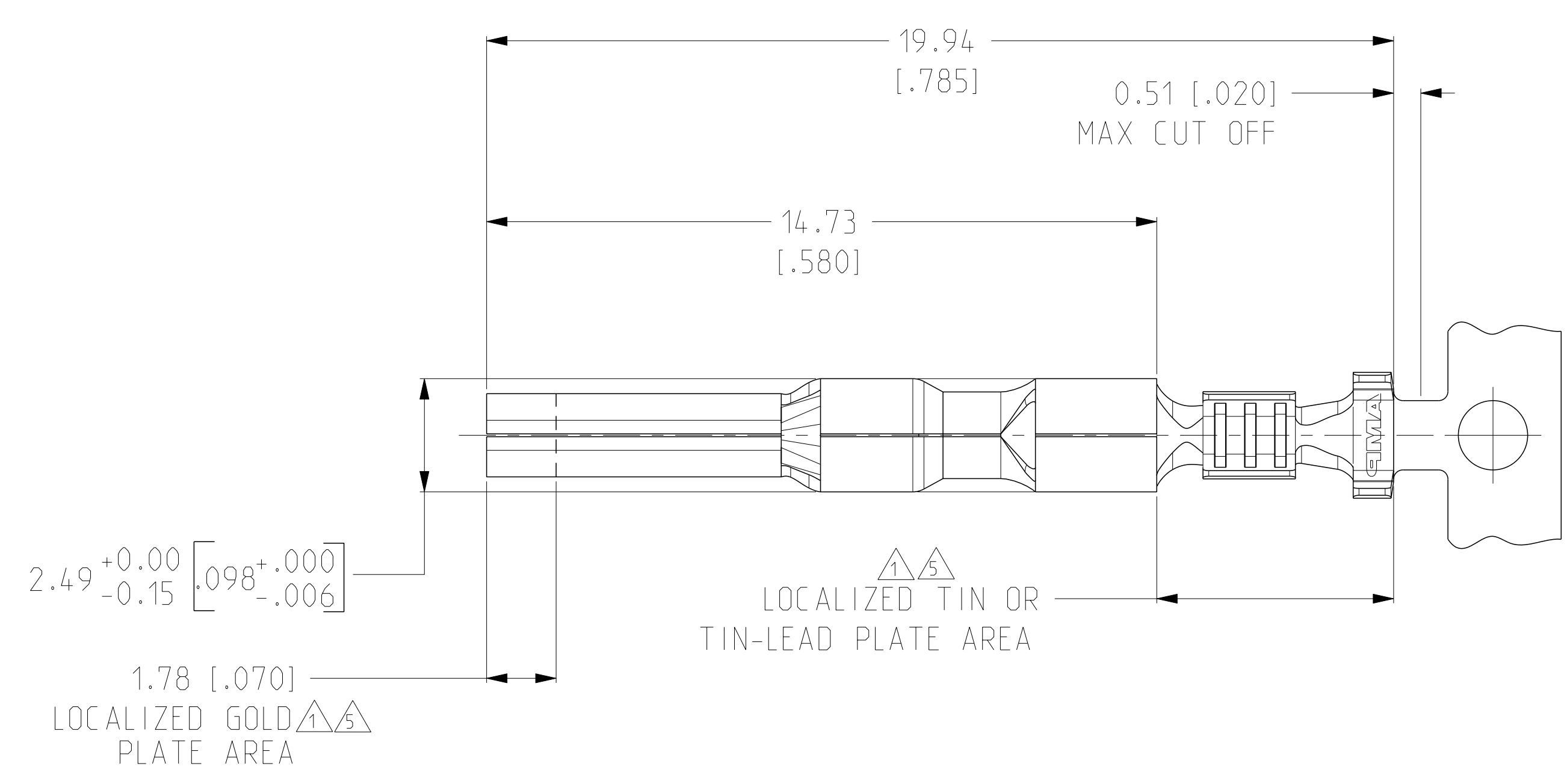
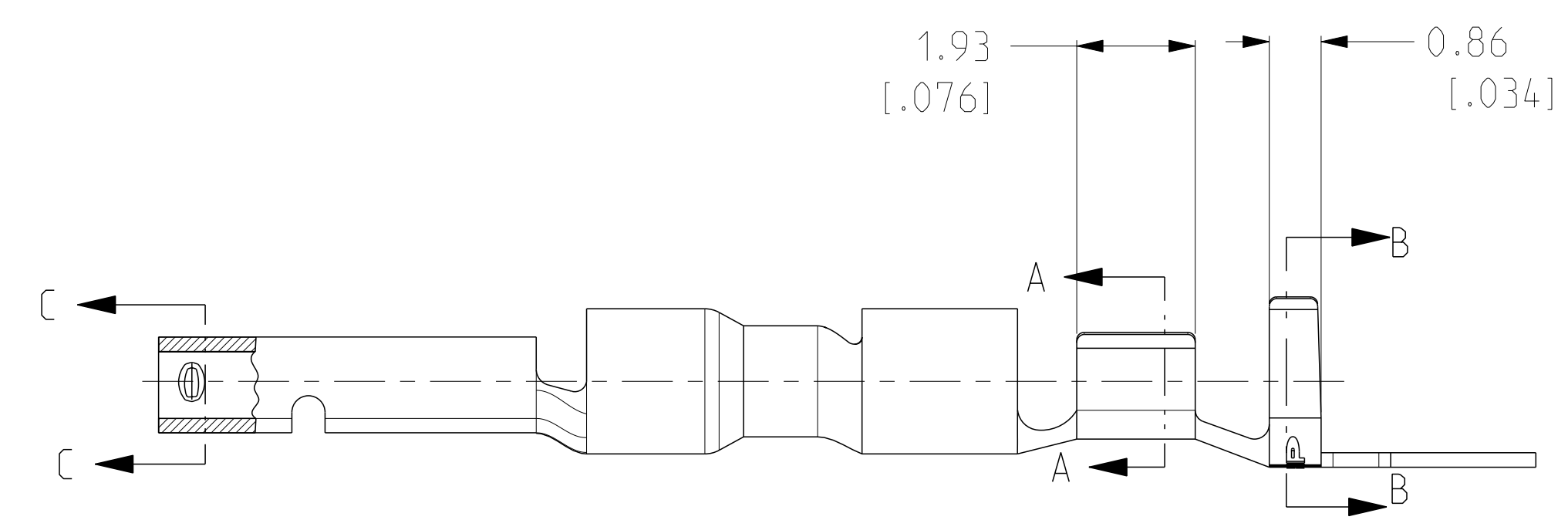


REVISIONS				
#	DATE	DESCRIPTION	OWN	APVD
H	14NOV2018	REDRAWN PER ECR-17-012999	BDA	SG

- 1 0.00076 [.000030] MIN GOLD IN LOCALIZED GOLD PLATE AREA AND 0.00254 [.000100] MIN BRIGHT TIN-LEAD IN LOCALIZED TIN-LEAD PLATE AREA OVER 0.0013 [.000050] MIN NICKEL.
- 2 WIRE RANGE: 0.12-0.4MM² (26-22 AWG).
- 3 INSULATION RANGE: 1.19-1.75[.047-.069] DIA.
- 4 DIMENSIONS IN BRACKETS ARE IN INCHES.
- 5 0.00076 [.000030] MIN GOLD IN LOCALIZED GOLD PLATE AREA AND 0.00254 [.000100] MIN MATTE TIN IN LOCALIZED TIN PLATE AREA OVER 0.0013 [.000050] MIN NICKEL.
- 6 ROHS COMPLIANT



6	5	0.25[.010] BRASS	1-794219-0
	5	0.25[.010] BRASS	794219-3
		PRE TIN	794219-1
		FINISH	MATERIAL
			PART NUMBER

THIS DRAWING IS A CONTROLLED DOCUMENT.		OWN: K. WHITAKER 04MAR2005	TE Connectivity	
DIMENSIONS: mm[INCHES]		CHK: C. JONES 04MAR2005		
TOLERANCES UNLESS OTHERWISE SPECIFIED:		APVD: C. JONES 04MAR2005	NAME: SOCKET, MINI UNIVERSAL MATE-N-LOK™2	
0 PLC ±		PRODUCT SPEC	-	
1 PLC ±		APPLICATION SPEC	-	
2 PLC ±		FINISH	-	
3 PLC ±		WEIGHT	-	
4 PLC ±		CUSTOMER DRAWING	-	
ANGLES *		SCALE	5:1	
MATERIAL SEE TABLE	SEE TABLE	SIZE	A1 00779 ©=794219	
		SHEET	1 OF 1	
		REV	H	