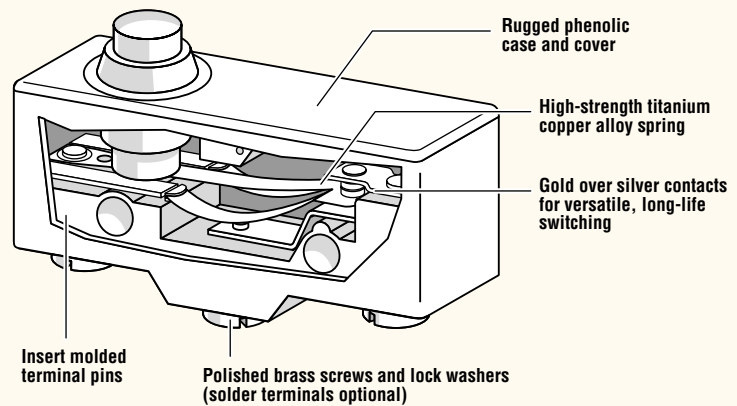


HEAVY-DUTY SNAP ACTION SWITCH

GP Series

Features

- Ultra-small travel differential
- Mechanical life tested to 1 million cycles
- Current switching to 15 amps
- Wide variety of actuators
- Screw or solder terminals standard
- Low operate forces available



Material Specifications

Case:	Phenolic
Cover:	Phenolic
Spring:	Titanium Copper Alloy
Contacts:	Silver Alloy
Terminals:	Brass Screw Terminals; Copper Alloy Solder Terminals
Lever Actuator:	Nickel-Plated Steel

Specifications

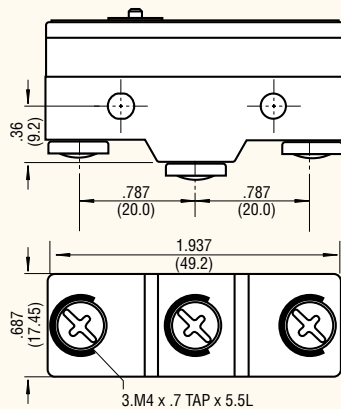
Ratings:	15A 125VAC / 250 VAC (UL)
Dielectric Strength:	1000VAC 50/60Hz for 1 minute
Insulation Resistance:	100M ohms min at 500VDC
Initial Contact Resistance:	15m ohms max
Temperature Range:	-20°C to +85°C



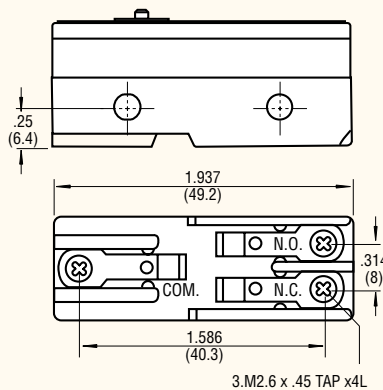
HEAVY-DUTY SNAP ACTION SWITCH

GP Series

Terminal Types



Screw Terminal



Solder Terminal

Standard Part Numbers and Descriptions

Dimensions inch (mm)	Part Number	OF	RF	OP	PT	OT	MD	Terminal Type
		Min / Max (oz.)	Min (oz.)	Min / Max (in.)	Max (in.)	Min (in.)	Max (in.)	
	GPSNNA01	8.8/ 12.3	4.0	.610/ .642	.016	.005	.002	Solder
	GPTNNA01	8.8/ 12.3	4.0	.610/ .642	.016	.005	.002	Screw
	GPSNLR01	4.9 (Max.)	.5	.653/ .717	.158	.063	.051	Solder
	GPTNLR01	4.9 (Max.)	.5	.653/ .717	.158	.063	.051	Screw
	GPSNRR01	4.9 (Max.)	.5	1.094/ 1.158	.158	.063	.051	Solder
	GPTNRR01	4.9 (Max.)	.5	1.094/ 1.158	.158	.063	.051	Screw

OF – Operating Force
PT – Pretravel

RF – Release Force
OT – Overtravel

OP – Operating Position
MD – Movement Differential



Standard Part Numbers and Descriptions

Dimensions inch (mm)	Part Number	OF	RF	OP	PT	OT	MD	Terminal Type
		Min / Max (oz.)	Min (oz.)	Min / Max (in.)	Max (in.)	Min (in.)	Max (in.)	
	GPSNND01	8.8/ 12.3	4.0	1.09/ 1.13	.016	.063	.002	Solder
	GPTNND01	8.8/ 12.3	4.0	1.09/ 1.13	.016	.063	.002	Screw
	GPSNNC01	8.8/ 12.3	4.0	.827/ .867	.016	.063	.002	Solder
	GPTNNC01	8.8/ 12.3	4.0	.827/ .867	.016	.063	.002	Screw
	GPSNNH01	8.8/ 12.3	4.0	.826/ .890	.016	.217	.002	Solder
	GPTNNH01	8.8/ 12.3	4.0	.826/ .890	.016	.217	.002	Screw
	GPSNRH01	8.8/ 12.3	4.0	1.240/ 1.320	.016	.140	.002	Solder
	GPTNRH01	8.8/ 12.3	4.0	1.240/ 1.320	.016	.140	.002	Screw
	GPSNRH02	8.8/ 12.3	4.0	1.240/ 1.320	.016	.140	.002	Solder
	GPTNRH02	8.8/ 12.3	4.0	1.240/ 1.320	.016	.140	.002	Screw

OF – Operating Force
PT – Pretravel

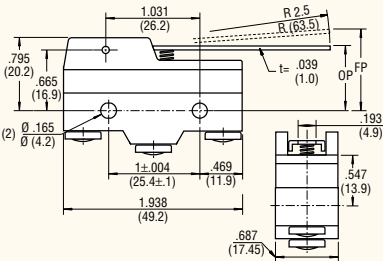
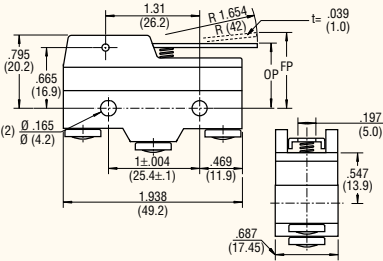
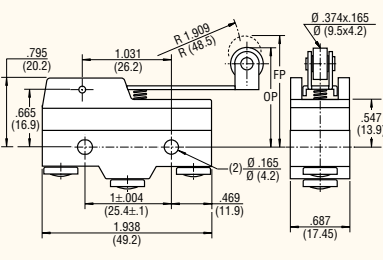
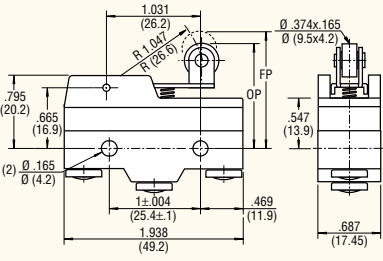
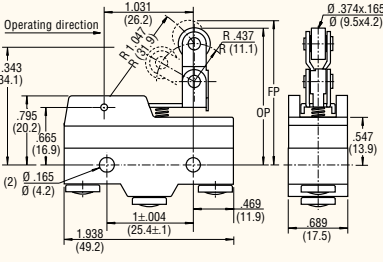
RF – Release Force
OT – Overtravel

OP – Operating Position
MD – Movement Differential

GP Series



Standard Part Numbers and Descriptions

Dimensions inch (mm)	Part Number	OF	RF	OP	PT	OT	MD	Terminal Type
		Min / Max (oz.)	Min (oz.)	Min / Max (in.)	Max (in.)	Min (in.)	Max (in.)	
	GPSNLS01	2.4 (Max.)	.5	.716/ .780	.394	.220	.050	Solder
	GPTNLS01	2.4 (Max.)	.5	.716/ .780	.394	.220	.050	Screw
	GPSNLS02	3.1 (Max.)	.7	.716/ .780	.315	.165	.040	Solder
	GPTNLS02	3.1 (Max.)	.7	.716/ .780	.315	.165	.040	Screw
	GPSNRS01	3.5 (Max.)	.8	1.157/ 1.221	.280	.158	.040	Solder
	GPTNRS01	3.5 (Max.)	.8	1.157/ 1.221	.280	.158	.040	Screw
	GPSNRM01	5.6 (Max.)	1.4	1.173/ 1.205	.106	.095	.020	Solder
	GPTNRM01	5.6 (Max.)	1.4	1.173/ 1.205	.106	.095	.020	Screw
	GPTNRG01	5.9 (Max.)	1.4	1.594/ 1.658	.106	.095	.020	Screw

OF – Operating Force
RF – Release Force
OP – Operating Position
PT – Pretravel
OT – Overtravel
MD – Movement Differential

Contact

Call, fax or visit our website for more information.

Cherry Electrical Products

11200 88th Avenue
Pleasant Prairie, WI 53158

Phone: 800 927 6298
 Fax: 262 942 6566
 Web: www.cherrycorp.com

Mouser Electronics

Authorized Distributor

Click to View Pricing, Inventory, Delivery & Lifecycle Information:

ZF Electronics:

[GPTNRM01](#) [GPTNNA01](#) [GPTNNH01](#) [GPTNLS01](#) [GPTNLS02](#) [GPTNRG01](#) [GPTNRH01](#) [GPTNRH02](#) [GPTNLR01](#)
[GPTNNC01](#) [GPTNND01](#) [GPTNRR01](#) [GPTNRS01](#)