

4

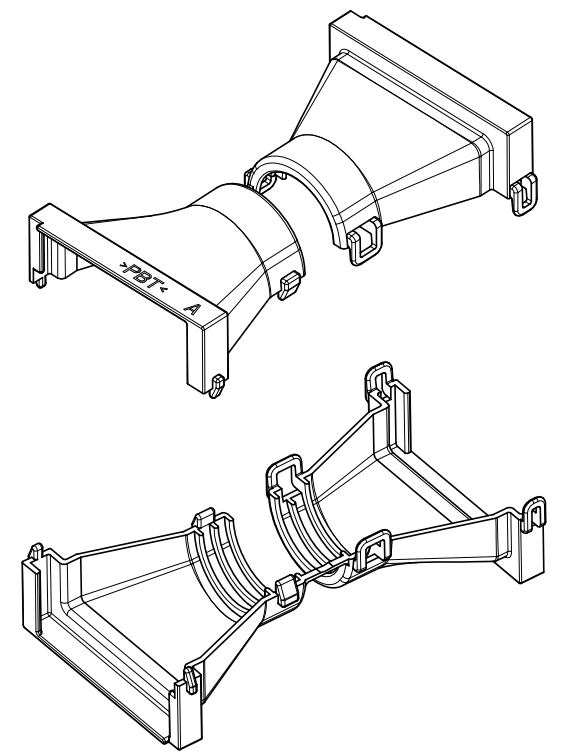
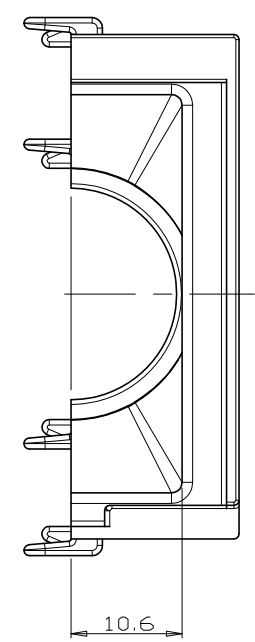
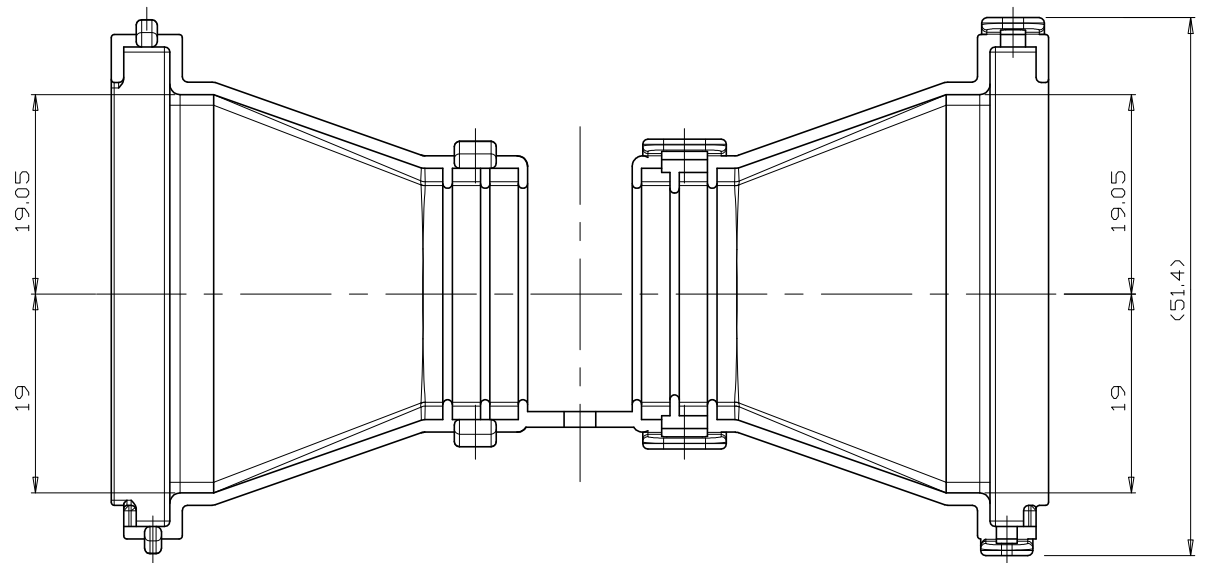
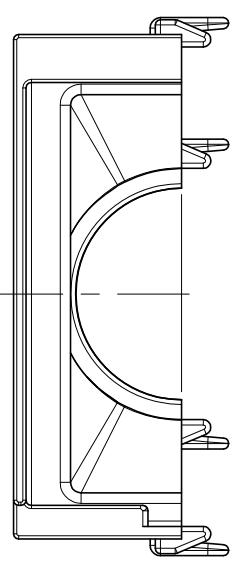
3

2

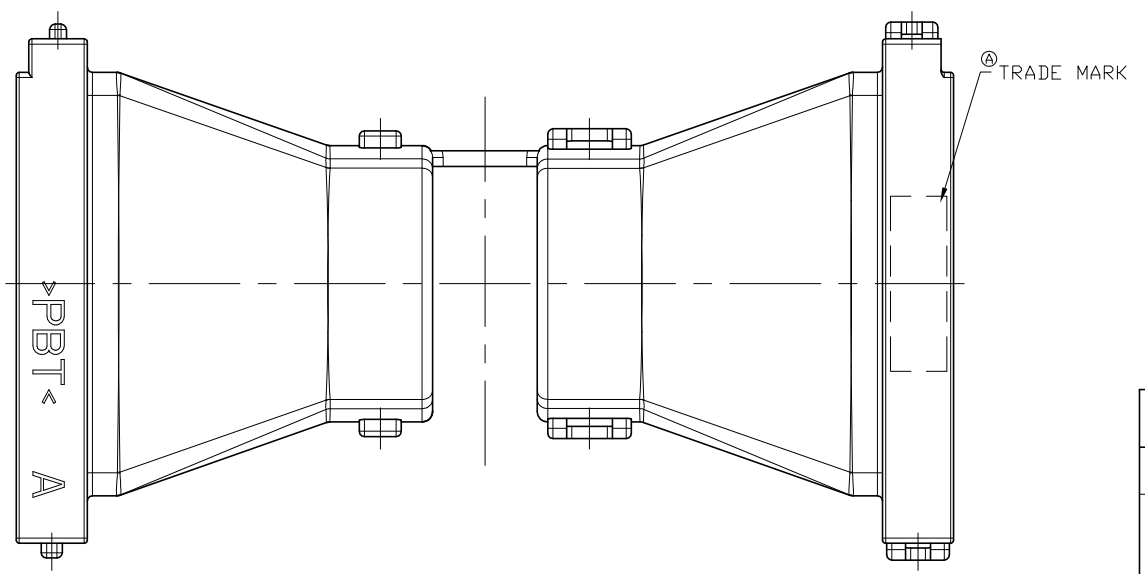
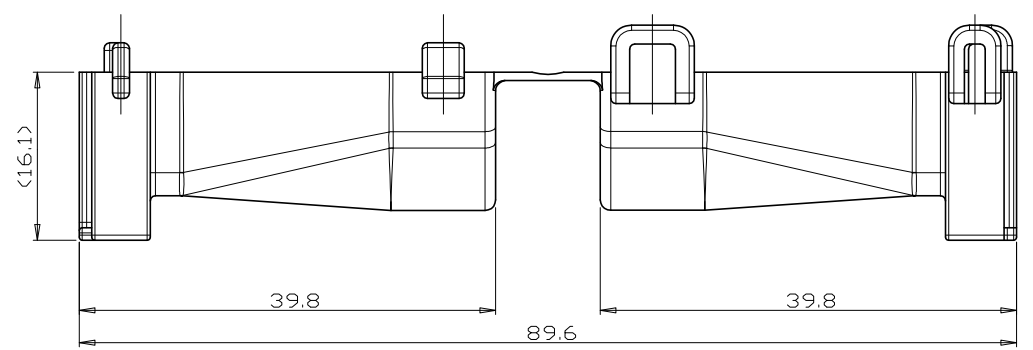
1

THIS DRAWING IS UNPUBLISHED. RELEASED FOR PUBLICATION  
© COPYRIGHT BY TYCO ELECTRONICS CORPORATION. ALL RIGHTS RESERVED.

LOC		DIST		REVISIONS			
DS	—	P	LTR	DESCRIPTION	DATE	DWN	APVD
		A		REVISED (ECR-10-026443)	29/DEC/10	SJ	HG



(SCALE 1:1)



- NOTES:
1. ALL RADII ARE 0.3 EXCEPT AS INDICATED
  2. APPLIED CONNECTOR ASS'Y P/N : X-936421-X
  3. APPLIED CORRUGATE TUBE : Ø19.0

BLACK	PBT(TRIBIT 1503 B) P/N : 2-704773-5	COVER HSG FOR 42P PLUG	0-936615-2
COLOR	MATERIAL	DESCRIPTION	PART NO.

THIS DRAWING IS A CONTROLLED DOCUMENT FOR TYCO ELECTRONICS CORPORATION. IT IS SUBJECT TO CHANGE AND THE CONTROLLING ENGINEERING ORGANIZATION SHOULD BE CONTACTED FOR THE LATEST REVISION.

DIMENSIONS: mm	TOLERANCES UNLESS OTHERWISE SPECIFIED: 0 <XX<10 ± 0.2 10 <XX<30 ± 0.25 30 <XX ± 0.3 ANGLES ± 3°
3rd ANGLE PROJECTION	
MATERIAL	FINISH
SEE TABLE	

CHK : JW JUNG	DWN : SJ CHOI		
APVD : HG CHO	PRODUCT SPEC		
APPLICATION SPEC	WEIGHT	<b>COVER HOUSING FOR MTII/.090/JPT HYBRID 42P PLUG ASSEMBLY CONNECTOR</b>	
SIZE	CAGE CODE	DRAWING NO	RESTRICTED TO
A200779	C=	936615	
SCALE 2/1	SHEET 1 OF 1	REV A	

# Mouser Electronics

Authorized Distributor

Click to View Pricing, Inventory, Delivery & Lifecycle Information:

[TE Connectivity:](#)

[936615-2](#)