

THIS DRAWING IS UNPUBLISHED.

RELEASED FOR PUBLICATION

ALL RIGHTS RESERVED.

LOC DIST

REVISIONS

© COPYRIGHT - By -

ÄNDERUNGEN DIE DEM TECH-
NISCHEN FORTSCHRITT DIENEN,
BEHALTEN WIR UNS VOR

CAD-ORIGINAL
ZEICHNUNG NICHT ÄNDERN

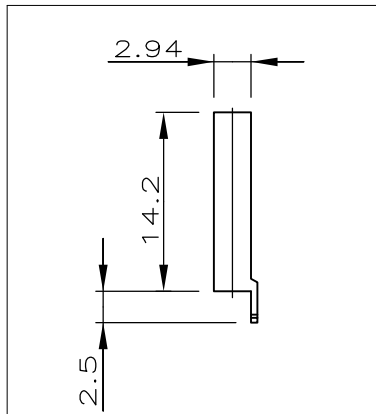
ZEICHNUNG GESCHÜTZT DURCH
© COPYRIGHT 1975
AMP DEUTSCHLAND GMBH
ALLE RECHTE VORBEHALTEN

P	LTR	DESCRIPTION	DATE	DWN	APVD
	W1	Obsolescence of P/N 2-925369-0	26JULY2013	SMT	RP

GEGENSTECKER/KONTAKT:
MATED WITH: 825 433 167 301-4



OBSOLETE PARTS: OBSOLETE CIS STREAMLINING
PER D.RENAUD/D.SINISI



EINREIHIG

POLZ.	L±0.8	BESTELL-NR.
-	-	-
2	5.08	925 369 -2
3	7.62	-3
4	10.16	-4
5	12.70	-5
6	15.24	-6
7	17.78	-7
8	20.32	-8
9	22.86	-9
10	25.40	1- -0
11	27.94	1- -1
12	30.48	1- -2
13	33.02	1- -3
14	35.56	1- -4
15	38.10	1- -5
16	40.64	1- -6
17	43.18	1- -7
18	45.72	1- -8
19	48.26	1- -9
20	50.80	2- -0
21	53.34	2- -1
22	55.88	2- -2
23	58.42	2- -3
24	60.96	2- -4
25	63.50	2- -5
26	66.04	2- -6
27	68.58	2- -7
28	71.12	2- -8
29	73.66	2- -9
30	76.20	3- -0
31	78.74	3- -1
32	81.28	3- -2
33	83.82	3- -3
34	86.36	3- -4
35	88.90	3- -5
36	91.44	3- -6
37	93.98	3- -7
38	96.52	3- -8
39	99.06	3- -9
40	101.60	4- -0
41	104.14	4- -1
42	106.68	4- -2
43	109.22	4- -3
44	111.76	4- -4
45	114.30	4- -5
46	116.84	4- -6
47	119.38	4- -7
48	121.92	4- -8
49	124.46	4- -9
50	127.00	5- 925 369 -0

OBSOLETE

OBSOLETE

OBSOLETE

OBSOLETE

OBSOLETE

OBSOLETE

OBSOLETE

OBSOLETE

OBSOLETE

OBSOLETE

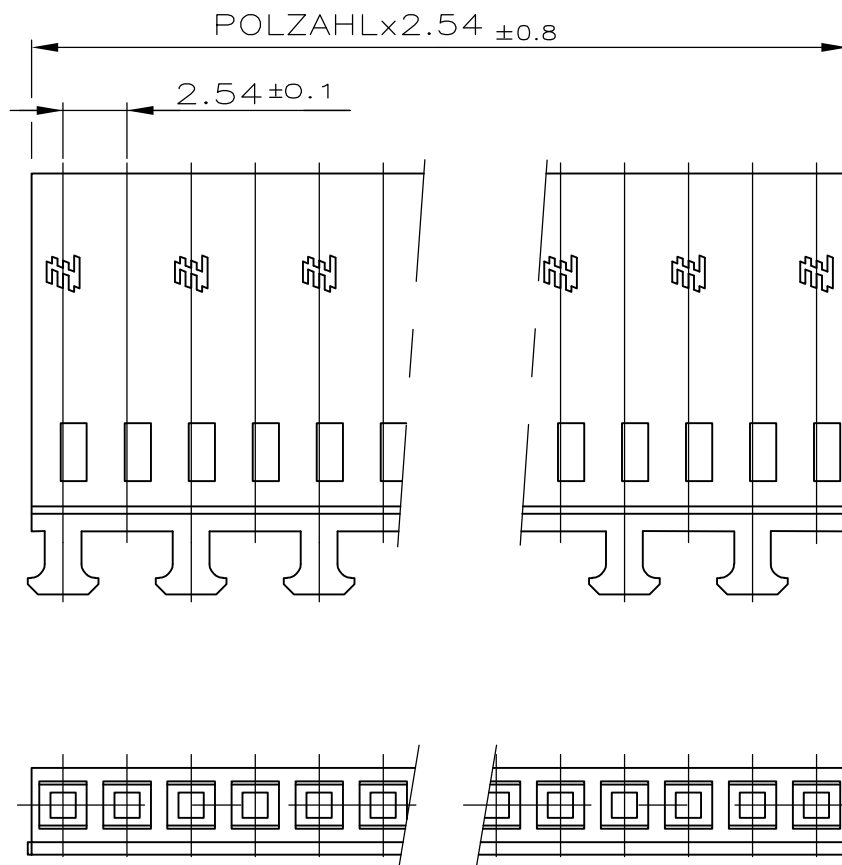
OBSOLETE

OBSOLETE

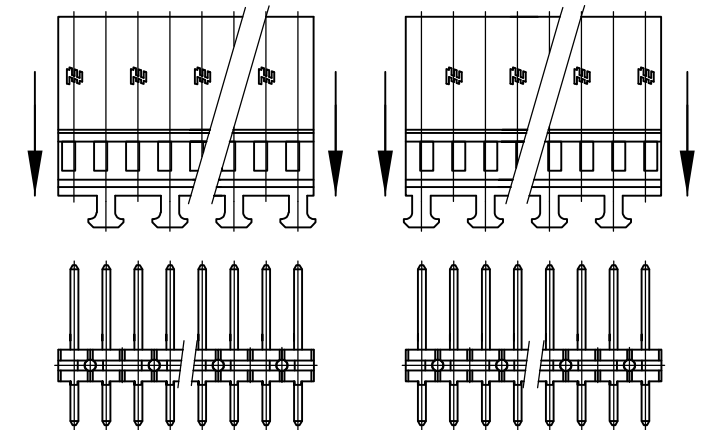
OBSOLETE

OBSOLETE

OBSOLETE



RAST-NOPPENSTELLUNG WECHSELT PRODUKTIONSBEDINGT.
NOPPEN VERRASTEN ENTSPRECHEND LINKS ODER RECHTS MIT STIFTLAISTE.
POSITIONS OF LOCKING DEVICE CHANGED CONDITIONAL OF PRODUCTION.
KNUPS LOCK ACCORDING ON THE LEFT OR RIGHT SIDE WITH PIN HEADER.



ZEICHNUNG GÜLTIG AB KW 32/95



AMPMODU IV GEHÄUSE,
EINREIHIG

THIS DRAWING IS A CONTROLLED DOCUMENT.

DWN DAHLHEIMER 05.12.75

CHK KREPP

APVD

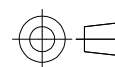
PRODUCT SPEC

APPLICATION SPEC

WEIGHT

CUSTOMER DRAWING

DIMENSIONS:
mm



TOLERANCES UNLESS OTHERWISE SPECIFIED:	
0 PLC	± -
1 PLC	± -
2 PLC	± 0.2mm
3 PLC	± -
4 PLC	± -
ANGLES	± -
FINISH	-

MATERIAL PA 6.6

GRÜN RAL6011
OBERFLÄCHE WAR
FARBE 75-9226

SIZE	CAGE CODE	DRAWING NO	RESTRICTED TO
A3	00779	C-925369	-

SCALE	SHEET	REV
-	1 OF 1	W1